

## IE-AD-M12XRJ45-90

**Weidmüller Interface GmbH & Co. KG**  
Klingenbergstraße 26  
D-32758 Detmold  
Germany

[www.weidmueller.com](http://www.weidmueller.com)



### General ordering data

Version	Adapter, RJ45 90&deg;, M12, Cat.6A / Class EA (ISO/IEC 11801 2010), IP67, M12 socket to RJ45 socket
Order No.	<a href="#">1400610000</a>
Type	IE-AD-M12XRJ45-90
GTIN (EAN)	4050118202519
Qty.	1 items

## IE-AD-M12XRJ45-90

**Weidmüller Interface GmbH & Co. KG**  
 Klingenbergstraße 26  
 D-32758 Detmold  
 Germany

www.weidmueller.com

## Technical data

## Approvals

Approvals



ROHS Conform

UL File Number Search [UL Website](#)

Certificate no. (cULus) E471884

## Dimensions and weights

Wall thickness, min.	0.9 mm	Wall thickness, max.	3 mm
Net weight	6.2 g		

## Temperatures

Storage temperature	Operating temperature	-25 °C...85 °C
Installation temperature		

## Environmental Product Compliance

RoHS Compliance Status	Compliant with exemption
RoHS Exemption (if applicable/known)	6c
REACH SVHC	Lead 7439-92-1
SCIP	67cf1078-beca-4687-860b-dc475a6ec24a

## Technical data customisable plug-in connectors

Number of poles	8	Coding	X-coded
Contact surface	Gold-plated	Housing main material	zinc diecast nickel-plated
Insulation resistance	100 MΩ	Category	Cat.6A / Class EA (ISO/IEC 11801 2010)
Contact material	Copper alloy	Nominal voltage	50 V
Protection degree	IP67	Plugging cycles	≥ 100 (M12), 750 (RJ45)

## General Info

Number of poles	8	Connection 1	RJ45 90&deg;
Connection 2	M12	Description of article	Adapter, angled
Composition	M12 socket to RJ45 socket	Housing main material	zinc diecast nickel-plated
Category	Cat.6A / Class EA (ISO/IEC 11801 2010)	Connection thread	M12
Contact material	Copper alloy	Contact surface	Gold-plated
Shielding	360&deg; shield contact	Protection degree	IP67
Plugging cycles	≥ 100 (M12), 750 (RJ45)		

## Electrical properties

Insulation resistance	100 MΩ	Nominal voltage	50 V
-----------------------	--------	-----------------	------

## Standards

Connector standard	IEC 61076-2-109, IEC 60603-7-51
--------------------	---------------------------------

**IE-AD-M12XRJ45-90**

**Weidmüller Interface GmbH & Co. KG**  
Klingenbergstraße 26  
D-32758 Detmold  
Germany

[www.weidmueller.com](http://www.weidmueller.com)

**Technical data****General technical specifications**

Number of poles	8	Coding	X-coded
Connection thread	M12	Contact surface	Gold-plated
Housing main material	zinc diecast nickel-plated	Insulation resistance	100 MΩ
Contact material	Copper alloy	Nominal voltage	50 V
Protection degree	IP67	Plugging cycles	≥ 100 (M12), 750 (RJ45)

**Classifications**

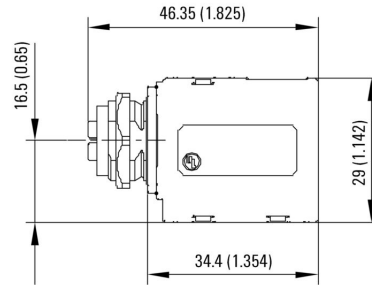
ETIM 8.0	EC000313	ETIM 9.0	EC000313
ETIM 10.0	EC000313	ECLASS 14.0	27-44-03-20
ECLASS 15.0	27-44-03-20		

Drawings

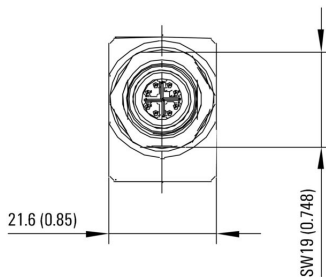
Product image



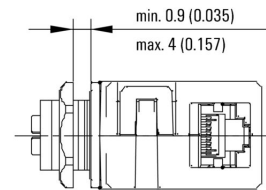
Dimensioned drawing



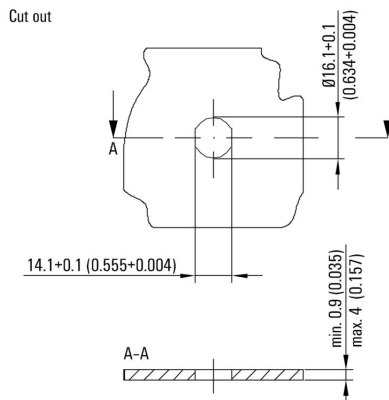
Dimensioned drawing



Dimensioned drawing



Installation cut-out



**IE-AD-M12XRJ45-90**

**Weidmüller Interface GmbH & Co. KG**  
Klingenbergstraße 26  
D-32758 Detmold  
Germany

**Drawings**

[www.weidmueller.com](http://www.weidmueller.com)

**Wiring**

