

IE-CD-VAPM24V-C-MA

Weidmüller Interface GmbH & Co. KG
Klingenbergstraße 26
D-32758 Detmold
Germany

www.weidmueller.com



Y-distributor / connection coupling, FreeCon for plug-in
PushPull Power connector to PROFINET specification,
metal

General ordering data

Version	Coupling, FreeCon, Supply, IP65, If thread-locking fluid is used
Order No.	1397690000
Type	IE-CD-VAPM24V-C-MA
GTIN (EAN)	4050118198669
Qty.	1 items

Technical data

Approvals

Approvals



ROHS	Conform
UL File Number Search	UL Website
Certificate no. (cULus)	E316369

Dimensions and weights

Net weight	425.36 g
------------	----------

Temperatures

Storage temperature	Operating temperature	-40 °C...70 °C
Installation temperature		

Environmental Product Compliance

RoHS Compliance Status	Compliant without exemption
REACH SVHC	No SVHC above 0.1 wt%

Classifications

ETIM 8.0	EC002597	ETIM 9.0	EC002597
ETIM 10.0	EC002597	ECLASS 14.0	27-44-03-18
ECLASS 15.0	27-44-03-18		

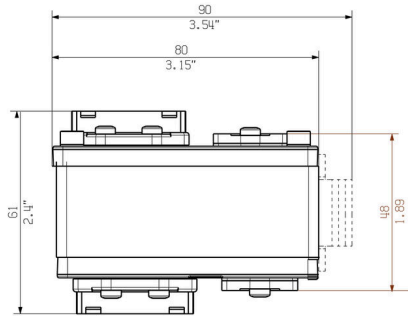
IE-CD-VAPM24V-C-MA

Weidmüller Interface GmbH & Co. KG
 Klingenbergstraße 26
 D-32758 Detmold
 Germany

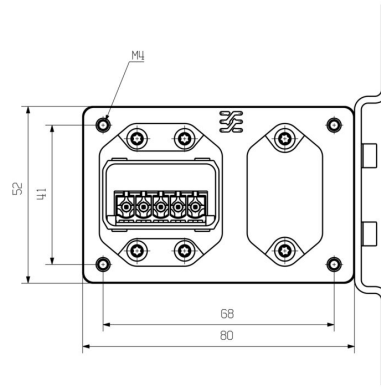
www.weidmueller.com

Drawings

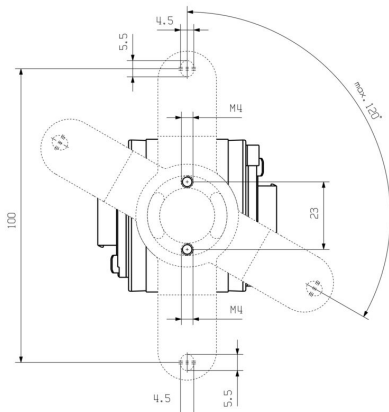
Dimensioned drawing



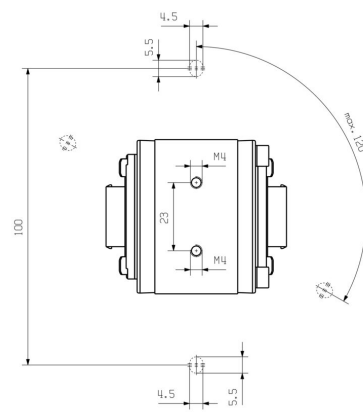
Dimensioned drawing



Dimensioned drawing



Dimensioned drawing



IE-CD-VAPM24V-C-MA

Weidmüller Interface GmbH & Co. KG
Klingenbergstraße 26
D-32758 Detmold
Germany

www.weidmueller.com

Accessories

Dust caps



For protecting your devices against dust and dirt.

General ordering data

Type	IE-BP-VAPP	Version	
Order No.	1068930000	Flange-mounted housing, protective cap	
GTIN (EAN)	4032248823093		
Qty.	10 ST		

Sets



PushPull Power plug-in connector according to PROFINET specification

General ordering data

Type	IE-PS-VAPM-5P-2.5	Version	
Order No.	2465440000	Power connector, Plug, PROFINET, Set of connectors	
GTIN (EAN)	4050118522136		
Qty.	1 ST		