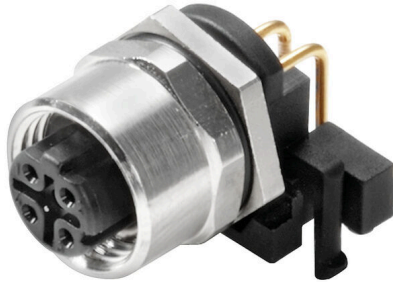


IE-M12-PCBCE-PANEL-A

Weidmüller Interface GmbH & Co. KG
Klingenbergstraße 26
D-32758 Detmold
Germany

www.weidmueller.com



General ordering data

Version	PCB connection element M12, Solder connection, Cat.5 (ISO/IEC 11801), IP65 in acc. with DIN EN 60529
Order No.	1393470000
Type	IE-M12-PCBCE-PANEL-A
GTIN (EAN)	4050118194241
Qty.	10 items

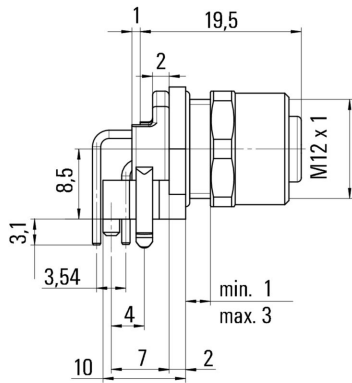
IE-M12-PCBCE-PANEL-A

Weidmüller Interface GmbH & Co. KG
 Klingenbergstraße 26
 D-32758 Detmold
 Germany

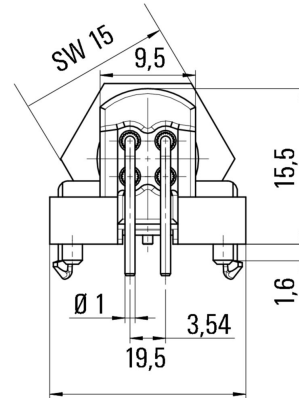
www.weidmueller.com

Drawings

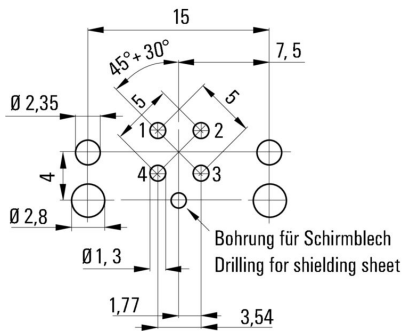
Dimensioned drawing



Dimensioned drawing



Drilling template



Leiterplattendicke: 1,6 mm
 Thickness of PCB: 1,6 mm