

**SAI-WDF-4P-M8**

**Weidmüller Interface GmbH & Co. KG**  
Klingenbergstraße 26  
D-32758 Detmold  
Germany

www.weidmueller.com



**General ordering data**

Order No.	1392400000
Type	<a href="#">SAI-WDF-4P-M8</a>
GTIN (EAN)	4050118192773
Qty.	1 items

**SAI-WDF-4P-M8**

**Weidmüller Interface GmbH & Co. KG**  
 Klingenbergstraße 26  
 D-32758 Detmold  
 Germany

www.weidmueller.com

**Technical data**

**Approvals**

Approvals



ROHS Conform

**Dimensions and weights**

Net weight 23 g

**Environmental Product Compliance**

RoHS Compliance Status Compliant with exemption  
 RoHS Exemption (if applicable/known) 6c  
 REACH SVHC Lead 7439-92-1  
 SCIP ebf89fc8-a87f-4691-b87a-dfb9921774b4

**Technical data customisable plug-in connectors**

Number of poles	4	Coding	M8 = none
Contact surface	Gold-plated	Housing main material	CuZn
Contact material	CuZn	Nominal voltage	30 V
Nominal current	4 A	Protection degree	IP67
Temperature range of housing	-40 ... +85 ° C		

**General technical specifications**

Number of poles	4	Coding	M8 = none
Connection thread	M8 socket, M8 pin	Contact surface	Gold-plated
Housing main material	CuZn	Contact material	CuZn
Nominal voltage	30 V	Nominal current	4 A
Protection degree	IP67	Temperature range of housing	-40 ... +85 ° C

**Classifications**

ETIM 8.0	EC002925	ETIM 9.0	EC002925
ETIM 10.0	EC002925	ECLASS 14.0	27-44-01-06
ECLASS 15.0	27-44-01-06		

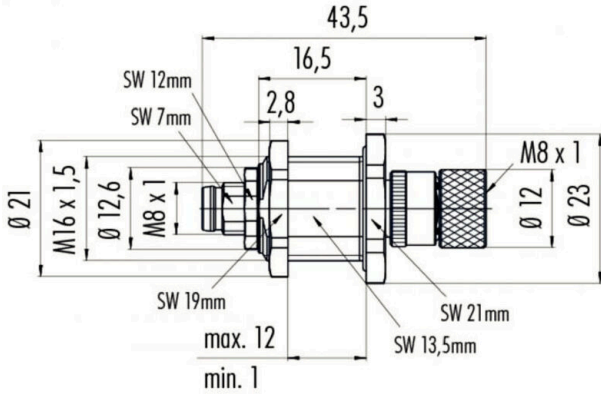
**SAI-WDF-4P-M8**

**Weidmüller Interface GmbH & Co. KG**  
 Klingenbergstraße 26  
 D-32758 Detmold  
 Germany

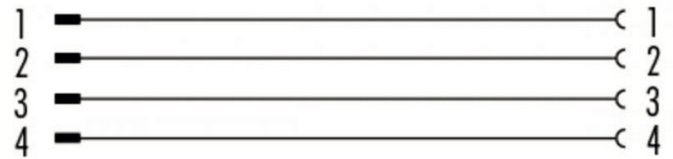
www.weidmueller.com

**Drawings**

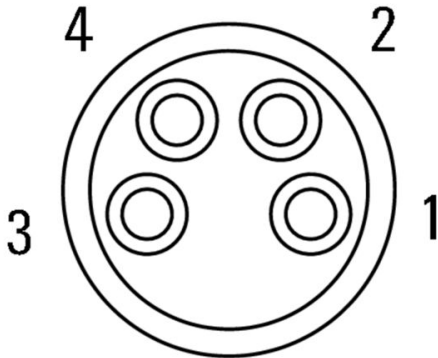
**Dimensioned drawing**



**Wiring diagram**



**Pole scheme**



**Pole scheme**

