

**TOZ 24VDC ACT**

**Weidmüller Interface GmbH & Co. KG**  
 Klingenbergstraße 26  
 D-32758 Detmold  
 Germany

www.weidmueller.com

**Product image**



Similar to illustration

**General ordering data**

|            |  |
|------------|--|
| Version    | TERMSERIES, Solid-state relay, Rated control voltage: 24 V DC $\pm 20\%$ , Rated switching voltage: 3...33 V DC, Continuous current: 2 A, Tension-clamp connection |
| Order No.  | <a href="#">1391690000</a>   |
| Type       | TOZ 24VDC ACT  |
| GTIN (EAN) | 4050118192094  |
| Qty.       | 10 items   |

## TOZ 24VDC ACT

Weidmüller Interface GmbH &amp; Co. KG

Klingenbergstraße 26

D-32758 Detmold

Germany

www.weidmueller.com

## Technical data

## Approvals

Approvals



ROHS Conform

UL File Number Search [UL Website](#)

Certificate no. (cULus) E141197

## Dimensions and weights

|            |         |                 |             |
|------------|---------|-----------------|-------------|
| Depth      | 87.8 mm | Depth (inches)  | 3.4567 inch |
| Height     | 90.5 mm | Height (inches) | 3.563 inch  |
| Width      | 6.4 mm  | Width (inches)  | 0.252 inch  |
| Net weight | 28.8 g  |                 |             |

## Temperatures

|                       |                |                     |   |
|-----------------------|----------------|---------------------|---|
| Storage temperature   | -40 °C...70 °C | Ambient temperature | -20 °C...60 °C  |
| Operating temperature |                | Humidity            | 5-95% relative humidity,<br>Tu = 40°C, without condensation |

## Probability of failure

MTTF 1077 a

## Environmental Product Compliance

|                                      |                                      |
|--------------------------------------|--------------------------------------|
| RoHS Compliance Status               | Compliant with exemption             |
| RoHS Exemption (if applicable/known) | 7a, 7cl                              |
| REACH SVHC                           | Lead 7439-92-1                       |
| SCIP                                 | 9e2cbc49-76d9-4611-b8ec-5b4f549a0aa9 |

## Rated data UL

|   |  |                                    |                            |
|---|--|------------------------------------|----------------------------|
| Ambient temperature (operational), max. 60 °C |  | Output current derating (ohmic)    | 1.5 A @ 60 °C, 2 A @ 55 °C |
| Connection cross-section AWG, min.            | AWG 26   | Connection cross-section AWG, max. | AWG 14                     |
| Type of conductor                             | rigid copper conductor,<br>flexible copper conductor | Pollution severity level           | 2                          |

## Control side

|  |   |                                       |                          |
|--|---|---------------------------------------|--------------------------|
| Rated control voltage  | 24 V DC $\pm$ 20 %                                  | Nominal control current               | 11.5 mA DC ( $\pm$ 10 %) |
| Power rating   | 280 mW  | Status indicator                      | Green LED                |
| Protective circuit   | Free-wheeling diode,<br>Reverse polarity protection | Input frequency                       | 300 Hz                   |
| Coil voltage of the replacement relay deviating from the rated control voltage | No  | Coil voltage of the replacement relay | 24 V DC                  |

## Load side

|                           |               |                    |              |
|---------------------------|---------------|--------------------|--------------|
| Rated switching voltage   | 3...33 V DC   | Continuous current | 2 A          |
| Rated switching current   | 2 A           | Inrush current     | 15 A / 10 ms |
| Switch-on delay           | $\leq$ 0,1 ms | Switch-off delay   | <1 ms        |
| Voltage drop at max. load | $\leq$ 120 mV | Leakage current    | <10 $\mu$ A  |

Creation date 24.02.2026 05:41:02 MEZ

Catalogue status / Drawings

## TOZ 24VDC ACT

Weidmüller Interface GmbH &amp; Co. KG

Klingenbergstraße 26

D-32758 Detmold

Germany

www.weidmueller.com

## Technical data

|   |                     |                     |                        |
|---|---------------------|---------------------|------------------------|
| Min. switching current                        | 5 mA                | Short-circuit-proof | No                     |
| Protective circuit, load side                 | Free-wheeling diode | Contact type        | 1 NO contact (MOS-FET) |
| max. switching frequency (DC control voltage) | 300 Hz              |                     |                        |

## General data

|                                    |                          |                |  |
|------------------------------------|--------------------------|----------------|--|
| Version                            | Actuator version         |                |  |
| Mounting rail                      | TS 35                    |                |  |
| Test button available              | No                       |                |  |
| Colour                             | black                    |                |  |
| UL94 flammability rating component | Component                | Housing        |  |
|                                    | UL94 flammability rating | V-0            |  |
|                                    | Component                | Retaining clip |  |
|                                    | UL94 flammability rating | V-0            |  |

## Insulation coordination

|  |                  |   |                  |
|--|------------------|---|------------------|
| Rated voltage                                    | 300 V            | Pollution severity  | 2                |
| Surge voltage category                           | III              | Clearance and creepage distances for control side - load side | ≥ 5.5 mm         |
| Dielectric strength for control side - load side | 2.5 kVeff        | Dielectric strength to mounting rail                          | 4 kVeff / 1 Min. |
| Impulse withstand voltage                        | 6 kV (1.2/50 µs) | Protection degree   | IP20             |

## Further details of approvals / standards

|                       |            |                         |         |
|-----------------------|------------|-------------------------|---------|
| Certificate No. (DNV) | TAA00001E5 | Certificate no. (cULus) | E141197 |
|-----------------------|------------|-------------------------|---------|

## Connection data

|   |                          |   |                      |
|---|--------------------------|---|----------------------|
| Wire connection method  | Tension-clamp connection | Stripping length, rated connection  | 8 mm                 |
| Clamping range, rated connection  | 1.5 mm <sup>2</sup>      | Clamping range, min.  | 0.14 mm <sup>2</sup> |
| Clamping range, max.  | 2.5 mm <sup>2</sup>      | Wire connection cross section AWG, min.   | AWG 26               |
| Wire connection cross section AWG, max.   | AWG 14                   | Wire cross-section, solid, min.   | 0.14 mm <sup>2</sup> |
| Wire cross-section, solid, max.   | 2.5 mm <sup>2</sup>      | Wire cross-section, solid, min. (AWG)   | AWG 26               |
| Wire cross-section, solid, max. (AWG)   | AWG 14                   | Wire connection cross section, finely stranded, min.                                    | 0.14 mm <sup>2</sup> |
| Wire connection cross section, finely stranded, max.                                    | 2.5 mm <sup>2</sup>      | Wire cross-section, finely stranded, min. (AWG)   | AWG 26               |
| Wire cross-section, finely stranded, max. (AWG)   | AWG 14                   | Wire connection cross-section, finely stranded with wire-end ferrules DIN 46228/4, min. | 0.14 mm <sup>2</sup> |
| Wire connection cross-section, finely stranded with wire-end ferrules DIN 46228/4, max. | 1.5 mm <sup>2</sup>      | Conductor cross-section, flexible, AEH (DIN 46228-1), min.                              | 0.14 mm <sup>2</sup> |
| Conductor cross-section, flexible, AEH (DIN 46228-1), max.                              | 1.5 mm <sup>2</sup>      | Blade size  | 0.6 x 3.5 mm         |

## Classifications

|             |             |             |             |
|-------------|-------------|-------------|-------------|
| ETIM 8.0    | EC001504    | ETIM 9.0    | EC001504    |
| ETIM 10.0   | EC001504    | ECLASS 14.0 | 27-37-16-04 |
| ECLASS 15.0 | 27-37-16-04 |             |             |

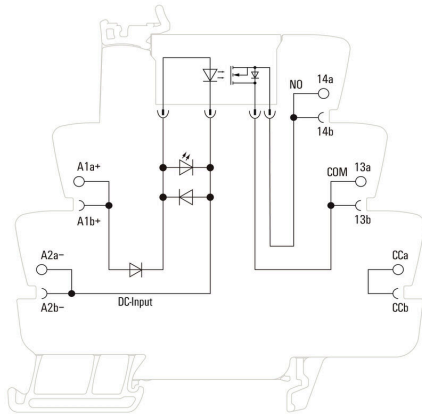
TOZ 24VDC ACT

Weidmüller Interface GmbH & Co. KG  
Klingenbergstraße 26  
D-32758 Detmold  
Germany

www.weidmueller.com

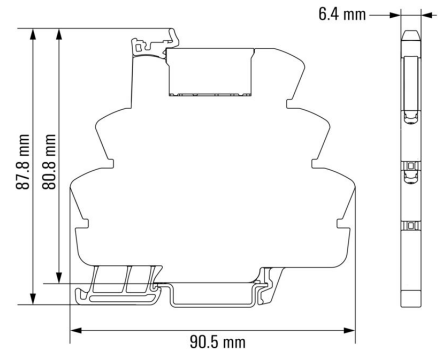
Drawings

Wiring diagram



\*Contact is assembled in socket but not used with solid-state relays

Dimensional drawing



Miscellaneous

**Type code TERMSERIES solid-state relay versions**



Type codes

**Space requirement for an 8-channel system  
 with a standard TERMSERIES 1CO relay**

Example of output wiring to show the difference in 8 loads to be wired:

Result width = 8 x 5.1 mm (2-pole terminal block) + 1 x 2.1 mm (end plate)  
 + 8 x 6.4 mm (TRP 24VDC 1CO) + 3 x 8.0 mm (end bracket) = 118.1 mm



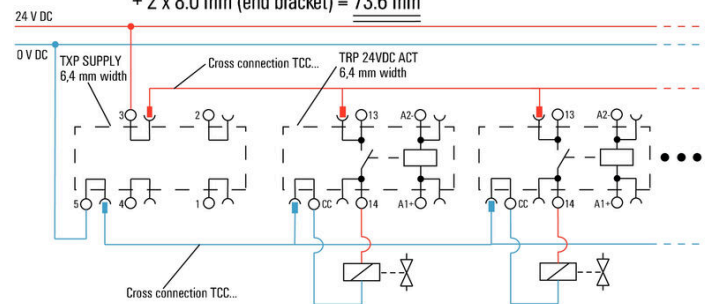
Space requirement top view:



**Space requirement for an 8-channel system  
 with TERMSERIES ACT version relays and supply terminals**

Example of output wiring to show the difference in 8 loads to be wired:

Result width = 1 x 6.4 mm (TRP SUPPLY) + 8 x 6.4 mm (TRP 24VDC ACT)  
 + 2 x 8.0 mm (end bracket) = 73.6 mm



Space requirement top view:

