

BG GHDE LED TL PT6

Weidmüller Interface GmbH & Co. KG
Klingenbergstraße 26
D-32758 Detmold
Germany

www.weidmueller.com



Energy-efficient emergency lighting with a long service life

- developed and to be used in accordance with DIN EN 60598-2-22
- LED lamp for harsh environmental conditions (shocks and vibration, temperature range)
- higher energy efficiency and service life than fluorescent lamps
- Can be used worldwide thanks to the multi-voltage input (20 V...60 VDC)
- high fire protection classification V0
- Beam direction to one side
- 5W Power

Versions

- Pluggable with heavy duty connector and round connector
- Pre-assembled 2.5 mm²

General ordering data

Order No.	1390850000
Type	BG GHDE LED TL PT6
GTIN (EAN)	4050118190977

BG GHDE LED TL PT6

Weidmüller Interface GmbH & Co. KG

Klingenbergstraße 26

D-32758 Detmold

Germany

www.weidmueller.com

Technical data

Approvals

Approvals



ROHS Conform

UL File Number Search [UL Website](#)

Certificate no. (cULus) E345151

Dimensions and weights

Height	46 mm	Height (inches)	1.811 inch
Width	104 mm	Width (inches)	4.0945 inch
Length	181 mm	Length (inches)	7.126 inch
Net weight	616 g		

Temperatures

Storage temperature	Operating temperature	-40 °C...60 °C
---------------------	-----------------------	----------------

Environmental Product Compliance

RoHS Compliance Status	Compliant with exemption
RoHS Exemption (if applicable/known)	6c, 7a, 7cl
REACH SVHC	Lead 7439-92-1, Potassium perfluorobutane sulfonate 29420-49-3
SCIP	730dada5-5c8b-4737-8e0b-847db05af8d5

General data

Line type	Heluwind WK 103w-T 3G1,5 (AD 8 mm)	Silicone	No
Type of connection	Open cable end/length 2 m	UL 94 flammability rating	V-0
Halogen	yes (PVC cable)	Protection degree	IP65 with corresponding housing
Surge voltage category	II	Pollution severity	2
Insulation voltage	< 500 V (housing/PE)	Mounting position, installation notice	Arbitrary
Protection class	II	Circuit breaker	< 10 A
Amplitude of deflection	1.5 mm (2-9 Hz)	Vibration resistance EN 60721-3-3	Class 3M3, EN 60721-3-3
Shock resistance EN 60721-3-3	Class 3M3	Altitude	≤ 3000 m
Short-circuit protection	internal	Light colour (CCT)	6000K
Amplitude of acceleration	5 m/s ² (@ 9-200 Hz)	Peak acceleration, type L	70 m/s ²

Rated data acc. to IEC 60598-1

Rated voltage	265 V	Power rating	7 W
Input voltage	100...265 V DC (45...65 Hz)	Inrush current	0.5 A @ 0.1 ms
Power loss	< 2 W		

Classifications

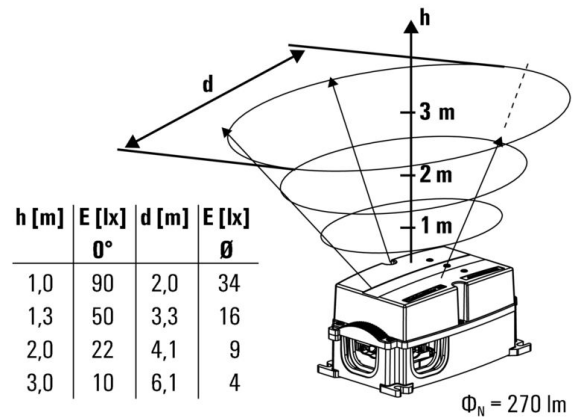
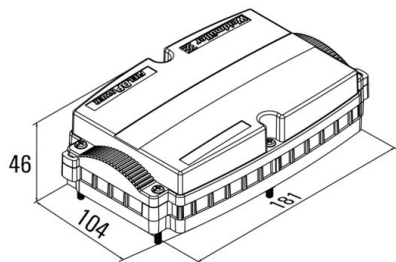
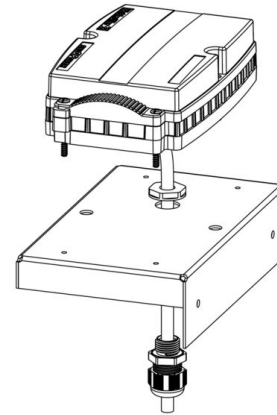
ETIM 8.0	EC001959	ETIM 9.0	EC001959
ETIM 10.0	EC001959	ECLASS 14.0	27-11-06-40
ECLASS 15.0	27-11-06-40		

BG GHDE LED TL PT6

Weidmüller Interface GmbH & Co. KG
 Klingenbergstraße 26
 D-32758 Detmold
 Germany

Drawings

www.weidmueller.com



BG GHDE LED TL PT6

Weidmüller Interface GmbH & Co. KG
 Klingenbergstraße 26
 D-32758 Detmold
 Germany

www.weidmueller.com

Accessories

Seals



Intelligent cabling solutions can save you valuable time and money.

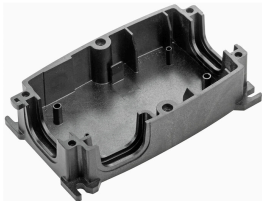
The FieldPower® modular system contains the right solution for every cabling task.

Foldable seals for the use of pre-assembled cables
 Seals available with M16 and M20 connection thread
 Integration of operating and signalling devices into the seal possible

General ordering data

Type	RKDG D9 PT6	Version
Order No.	4329610000	Field Power® sealing insert, Foldable seal, IP65 with corresponding
GTIN (EAN)	4032248668687	housing, IP65, with corresponding enclosure, EPDM
Qty.	10 ST	

Size 1



The FieldPower® housings are highly robust and meet the highest UL flammability class 5 VA.

- The "TS 35 PT6" mounting rail module and PT6 contact unit are easy to snap on.
- Hinged seals allow pre-assembled plug cables to also be used.
- The high cover versions enable the device to be installed.

For cable seals consult accessories.

General ordering data

Type	GH PT6	Version
Order No.	1070140000	FieldPower® enclosures, 181 mm, 104 mm, 42 mm, IP65, in
GTIN (EAN)	4032248825813	complete state, glass-fibre reinforced polycarbonate, black
Qty.	10 ST	