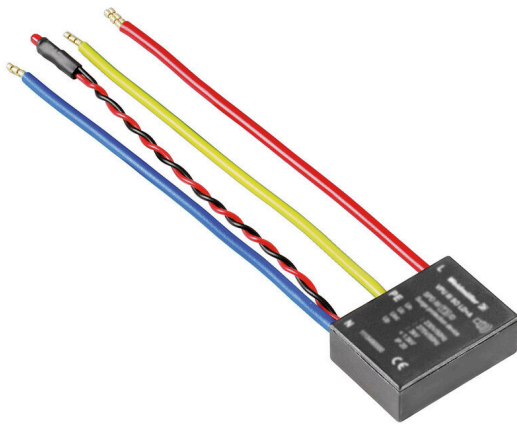


VPU III SO LD+A**Weidmüller Interface GmbH & Co. KG**Klingenbergstraße 26
D-32758 Detmold
Germany

www.weidmueller.com



Type III surge protection

Compact type III arrester for AC/DC protection acc. to IEC 61643-11:2012 and EN 61643-11. Suitable for protecting end devices. Installed in the vicinity of the equipment to be protected. The arrester can be used as a single-port arrester when nominal current is greater than 16 A.

General ordering data

Version	Surge voltage arrester, Low voltage, without telecomm. contact, Single-phase
Order No.	135170000
Type	VPU III SO LD+A
GTIN (EAN)	4050118158458
Qty.	1 items

VPU III SO LD+A

Weidmüller Interface GmbH & Co. KG
 Klingenbergstraße 26
 D-32758 Detmold
 Germany

www.weidmueller.com

Technical data

Approvals

Approvals



ROHS Conform

Dimensions and weights

Depth	25 mm	Depth (inches)	0.9842 inch
Height	35 mm	Height (inches)	1.378 inch
Width	12 mm	Width (inches)	0.4724 inch
Net weight	34 g		

Temperatures

Storage temperature	-40 °C...80 °C	Operating temperature	-25 °C...55 °C
Humidity	5 - 95% rel. humidity		

Environmental Product Compliance

RoHS Compliance Status	Compliant without exemption
REACH SVHC	No SVHC above 0.1 wt%

Connection data, remote alert

Cross-section for connected wire, solid core, min.	0.25 mm ²	Connection type	Miscellaneous
Cross-section for connected wire, solid core, max.	1.5 mm ²		

General data

Optical function display	Green LED = OK, Red LED = arrester is defective, replace	Segment	Power distribution
Version	without telecomm. contact	Design	Flush mounting
UL 94 flammability rating	V-0	Colour	black
Protection degree	IP20	Acoustic signal	Yes
Operating altitude	≤ 4000 m		

Insulation coordination acc. to EN 50178

Surge voltage category	II	Pollution severity	2
------------------------	----	--------------------	---

Rated data IEC / EN

Number of poles	2	Combined pulse UOC	3 kV
Leakage current at Un	30 µA	Signalling contact	No
Rated voltage (AC)	230 V	Low voltage network	Single-phase
Mains frequency at 250 Vmax	50...60Hz	Voltage type	AC
Temporary surge voltage (over-voltage) - TOV	440 V	Fuse protection	16 A
Response time / fallback time	<100µs	Frequency range, max.	60 Hz

VPU III SO LD+A

Weidmüller Interface GmbH & Co. KG
 Klingenbergstraße 26
 D-32758 Detmold
 Germany

www.weidmueller.com

Technical data

Frequency range, min.	50 Hz	Standards	IEC 61643-11, EN 61643-11
Requirements class, acc. to EN 61643-11	T3	Requirements category acc. to IEC 61643-11	Type III
Max. continuous voltage, U _c (AC)	275 V	Energy coordination (≤10 m)	Type II, Type III
Acoustic signal	Yes	Protection level U _p at IN (L/N-PE)	≤ 1.5 kV
Short-circuit current rating ISCCR	1.5 kA	Discharge current (type III)	3 kA
Integrated back-up fuse	No	PE conductor current IPE	10 μA

Connection data

Stripping length	10 mm	Wire cross-section, solid, min.	0.25 mm ²
Wire connection cross section, finely stranded, max.	25 mm ²		

Electrical data

Voltage type	AC
--------------	----

General data

Number of poles	2	Protection degree	IP20
Colour	black		

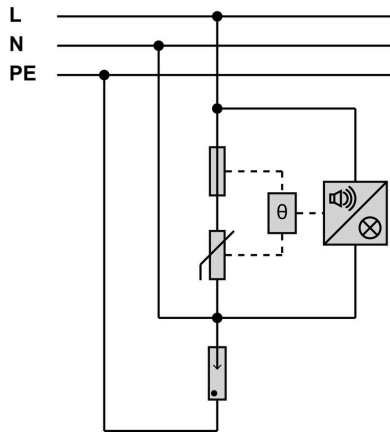
Guarantee

Time interval	5 years
---------------	---------

Classifications

ETIM 8.0	EC000942	ETIM 9.0	EC000942
ETIM 10.0	EC000942	ECLASS 14.0	27-17-12-03
ECLASS 15.0	27-17-12-03		

Electric symbol



Schematic circuit diagram