

VPU I 2+0 R PV 1000V DC

Weidmüller Interface GmbH & Co. KG
Klingenbergstraße 26
D-32758 Detmold
Germany

www.weidmueller.com



General ordering data

Version	Surge voltage arrester, Low voltage, with remote contact
Order No.	1351430000
Type	VPU I 2+0 R PV 1000V DC
GTIN (EAN)	4050118158663
Qty.	1 items
Delivery status	Discontinued
Available until	2022-03-30T00:00:00+02:00
Alternative product	VPU PV I+II 3 R 1000

VPU I 2+0 R PV 1000V DC

Weidmüller Interface GmbH & Co. KG
 Klingenbergstraße 26
 D-32758 Detmold
 Germany

www.weidmueller.com

Technical data

Approvals

Approvals



ROHS Conform

Dimensions and weights

Depth	69 mm	Depth (inches)	2.7165 inch
Height	106 mm	Height (inches)	4.1732 inch
Width	71.2 mm	Width (inches)	2.8031 inch
Mounting dimension - height	75 mm	Net weight	786 g

Temperatures

Storage temperature -40 °C...80 °C Operating temperature

Environmental Product Compliance

RoHS Compliance Status Compliant without exemption
 REACH SVHC No SVHC above 0.1 wt%

Connection data, remote alert

Cross-section for connected wire, solid core, min.	0.14 mm ²	Stripping length	8 mm
Connection type	PUSH IN	Cross-section for connected wire, solid core, max.	1.5 mm ²

General data

Optical function display	green = OK; red = arrester is defective - replace	Version	with remote contact
Design	Installation housing; 4TE, Insta IP 20	UL 94 flammability rating	V-0
Colour	black	Protection degree	IP20
Mounting rail	TS 35	Operating altitude	≤ 2000 m

Insulation coordination acc. to EN 50178

Surge voltage category IV Pollution severity 2

Photovoltaic technical data

Standards	EN 50539-11	Discharge current, max. (8/20 μs)	40 kA
Short-circuit current I _{SCPV}	200 A	Total discharge current I _{total} (8/20 μs)	40
Discharge current I _n (8/20 μs)	20 kA	Requirements class	Type I/II
Protection level Up (-/PE)	≤ 2.6 kV	Protection level Up (+/-)	≤ 5.2 kV
Protection level Up (+/PE)	≤ 2.6 kV	PV system voltage, max. U _{cpv}	1000 V
Maximum continuous operating voltage DC UCPV mode +/-, -/PE, +/PE	1000 V		

VPU I 2+0 R PV 1000V DC

Weidmüller Interface GmbH & Co. KG

Klingenbergstraße 26
D-32758 Detmold
Germany

www.weidmueller.com

Technical data

Rated data IEC / EN

Number of poles	4	Leakage current at U_n	100 μ A
Signalling contact	250 V 1A 1CO, 125 V AC / 1 A, 48 V CC / 0.5 A	Rated voltage (DC)	1000 V
PV voltage, acc. to IEC 60364-7-712	\leq 1000 V	Voltage type	DC
Response time / fallback time	\leq 25 ns	Standards	EN 50539-11
Lightning test current limp (10/350 μ s) (L-PE)	12.5 kA	Discharge current, max. (8/20 μ s)	40 kA
Requirements class, acc. to EN 61643-11	T1, T2	Requirements category acc. to IEC 61643-11	Type I/II
Max. continuous voltage, U_c (DC)	1000 V	Discharge current I_n (8/20 μ s) wire-PE	40 kA
SPD type	T1, T2	Integrated back-up fuse	No

Connection data

Stripping length	15 mm	Type of connection	Screw connection
Stripping length, rated connection	15 mm	Tightening torque, min.	2 Nm
Tightening torque, max.	3 Nm	Clamping range, rated connection	16 mm ²
Clamping range, min.	4 mm ²	Clamping range, max.	35 mm ²
Wire cross-section, solid, min.	2.5 mm ²	Wire cross-section, solid, max.	16 mm ²
Wire connection cross section, finely stranded, min.	2.5 mm ²	Wire connection cross section, finely stranded, max.	25 mm ²
Conductor cross-section, flexible, AEH (DIN 46228-1), min.	2.5 mm ²	Conductor cross-section, flexible, AEH (DIN 46228-1), max.	50 mm ²
Connection cross-section, stranded, min. 2.5 mm ²		Connection cross-section, stranded, max.	50 mm ²

Electrical data

Voltage type	DC
--------------	----

General data

Number of poles	4	Protection degree	IP20
Colour	black		

Classifications

ETIM 8.0	EC000941	ETIM 9.0	EC000941
ETIM 10.0	EC000941	ECLASS 14.0	27-17-90-90
ECLASS 15.0	27-17-90-90		

Tender specification sheets

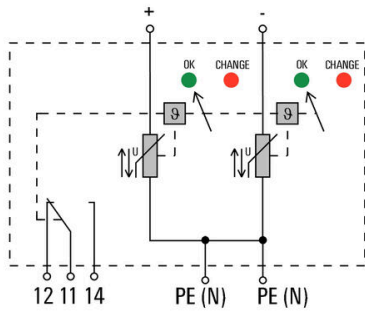
Long specification	Multi-pole surge voltage arrester according to the requirements of Class I acc. to IEC 50539-11. Consisting of VO material, the arrester provides overvoltage protection in applications acc. to IEC 50539-12 in unearthed PV systems. The WEMID VO arrester is installed in the vicinity of the equipment that needs protection, in a commercially available installation/electrical distribution enclosure.	Short specification	Class I arrester with limp: 12.5 kA suitable for PV systems. Protection level < 2.6 kV. With remote alert Type: Weidmüller VPU I 2+0 R PV 1000 V/12.5 kA Order no. 135 1430000 or equivalent
--------------------	---	---------------------	--

Technical data

With thermal separation device on the varistor. If protection is no longer available, the colour in the display window changes from green to red. The functional state is also displayed by a voltage-free signalling contact (CO contact).
Rated voltage: 1000 VDC
limp: 12.5 kA In/
max (8/20 µs): 20/40 kA
protection level < 2.6 kV telecommunication
output: contact: 250 V/0.5 A 48 VDC/0.1 A
Type: Weidmüller VPU I 2+0 R PV 1000 V
Order No. 135 14300000 or equivalent

Drawings

Electric symbol



Circuit diagram

VPU I 2+0 R PV 1000V DC

Weidmüller Interface GmbH & Co. KG
 Klingenbergstraße 26
 D-32758 Detmold
 Germany

www.weidmueller.com

Accessories

Crosshead screwdriver Phillips

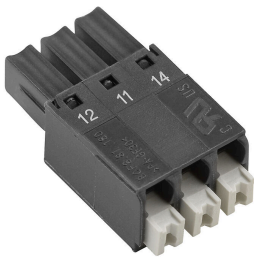


VDE insulated crosshead screwdriver, for Phillips screws, SDIK PH DIN 7438, ISO 8764/2-PH, output to ISO 8764-PH, SoftFinish grip

General ordering data

Type	SDIK PH1 X 80	Version	
Order No.	2749890000	Screwdriver, Blade width (B): 1 mm, 80 mm, Blade thickness (A): 1	
GTIN (EAN)	4050118897098		
Qty.	1 ST		

VPU Series



Extensive accessories round off the product range

General ordering data

Type	PLUG VPU	Version	
Order No.	1402570000	VPU series, Accessories	
GTIN (EAN)	4050118204360		
Qty.	10 ST		