

VPU II 2 R PV 600V DC

Weidmüller Interface GmbH & Co. KG
 Klingenbergstraße 26
 D-32758 Detmold
 Germany

www.weidmueller.com



General ordering data

Version	Surge voltage arrester, Low voltage, with remote contact
Order No.	1351370000
Type	VPU II 2 R PV 600V DC
GTIN (EAN)	4050118158717
Qty.	1 items
Delivery status	This article will no longer be available in the future.
Available until	2026-03-31T00:00:00+02:00
Alternative product	VPU PV II 3 R 600

VPU II 2 R PV 600V DC

Weidmüller Interface GmbH & Co. KG

Klingenbergstraße 26

D-32758 Detmold

Germany

www.weidmueller.com

Technical data

Approvals

Approvals



ROHS Conform

Dimensions and weights

Depth	69 mm	Depth (inches)	2.7165 inch
Height	106 mm	Height (inches)	4.1732 inch
Width	35.6 mm	Width (inches)	1.4016 inch
Mounting dimension - height	75 mm	Net weight	261.36 g

Temperatures

Storage temperature	-40 °C...80 °C	Operating temperature	-40 °C...70
---------------------	----------------	-----------------------	-------------

Environmental Product Compliance

RoHS Compliance Status	Compliant without exemption
REACH SVHC	No SVHC above 0.1 wt%

Connection data, remote alert

Cross-section for connected wire, solid core, min.	0.14 mm ²	Stripping length	8 mm
Connection type	PUSH IN	Cross-section for connected wire, solid core, max.	1.5 mm ²

General data

Optical function display	green = OK; red = arrester is defective - replace	Version	with remote contact
Design	Installation housing; 2TE, Insta IP 20	UL 94 flammability rating	V-0
Colour	black, orange	Protection degree	IP20
Mounting rail	TS 35	Operating altitude	≤ 2000 m

Insulation coordination acc. to EN 50178

Surge voltage category	III	Pollution severity	2
------------------------	-----	--------------------	---

Photovoltaic technical data

Standards	EN 50539-11	Discharge current, max. (8/20 μs)	40 kA
Operating height in ungrounded PV system	≤ 2000 m	Short-circuit current I _{SCPV}	200 A
Total discharge current I _{total} (8/20 μs)	40	Discharge current I _n (8/20 μs)	12.5 kA
Requirements class	Type II	Operating height in the grounded PV system	≤ 2000 m
Protection level U _p (-/PE)	≤ 2.2 kV	Protection level U _p (+/-)	≤ 4.4 kV
Protection level U _p (+/PE)	≤ 2.2 kV	PV system voltage, max. U _{cpv}	600 V
Maximum continuous operating voltage DC UCPV mode +/-, -/PE, +/PE	600 V		

VPU II 2 R PV 600V DC

Weidmüller Interface GmbH & Co. KG

Klingenbergstraße 26
D-32758 Detmold
Germany

www.weidmueller.com

Technical data

Rated data IEC / EN

Number of poles	2	Leakage current at U_n	30 μ A
Signalling contact	250 V 1A 1CO, 125 V AC / 1 A, 48 V CC / 0.5 A	Rated voltage (DC)	600 V
PV voltage, acc. to IEC 60364-7-712	< 600 V	Voltage type	DC
Response time / fallback time	\leq 25 ns	Standards	EN 50539-11
Discharge current, max. (8/20 μ s)	40 kA	Max. continuous voltage, U_c (DC)	600 V
Discharge current I_n (8/20 μ s) wire-PE	20 kA	SPD type	T2
Integrated back-up fuse	No		

Connection data

Stripping length	15 mm	Type of connection	Screw connection
Stripping length, rated connection	15 mm	Tightening torque, min.	2 Nm
Tightening torque, max.	3 Nm	Clamping range, rated connection	16 mm ²
Clamping range, min.	1.5 mm ²	Clamping range, max.	35 mm ²
Wire cross-section, solid, min.	1.5 mm ²	Wire cross-section, solid, max.	16 mm ²
Wire connection cross section, finely stranded, min.	1.5 mm ²	Wire connection cross section, finely stranded, max.	25 mm ²
Conductor cross-section, flexible, AEH (DIN 46228-1), min.	1.5 mm ²	Conductor cross-section, flexible, AEH (DIN 46228-1), max.	50 mm ²
Connection cross-section, stranded, min.	1.5 mm ²	Connection cross-section, stranded, max.	50 mm ²

Electrical data

Voltage type	DC
--------------	----

General data

Number of poles	2	Protection degree	IP20
Colour	black, orange		

Classifications

ETIM 8.0	EC000941	ETIM 9.0	EC000941
ETIM 10.0	EC000941	ECLASS 14.0	27-17-90-90
ECLASS 15.0	27-17-90-90		

Tender specification sheets

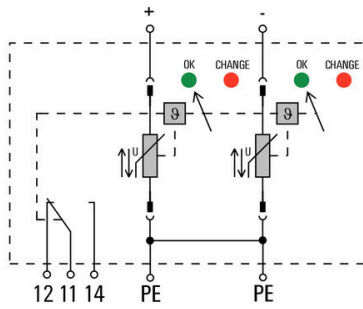
Long specification	Multi-pole surge voltage arrester according to the requirements of Class II acc. to IEC 50539-11. Consisting of V0 material, the arrester serves as overvoltage protection and is used in applications according to IEC 50539-12. The use of a high-performance varistor meets the inspection requirements for Class II surge protection systems on the basis of the standards. The arrester is installed in the vicinity of the equipment that needs protection, in a	Short specification	Class II arrester with I_n/I_{max} : 20/40 kA suitable for PV systems. Protection level < 2.2 kV. With remote alert Type: Weidmüller VPU II 2 R PV 600 V/40 kA Order no. 1351370000 or equivalent
--------------------	--	---------------------	---

Technical data

commercially available
installation/electrical
distribution enclosure.
With thermal separation
device on the varistor. If
protection is no longer
available, the colour
in the display window
changes from green to
red. The functional state
is also displayed by a
voltage-free signalling
contact (CO contact).
Rated voltage: 600 VDC
I_n/max (8/20 µs): 20/40
kA, protection level < 2.2
kV, telecommunication
output: contact: 250 V/0.5
A 48 VDC/0.1 A, type:
Weidmüller VPU II 2 R
PV 600 V/40 kA, Order
No. 1351370000 or
equivalent

Drawings

Electric symbol



Circuit diagram