

VPU II 2 R PV 1000V DC

Weidmüller Interface GmbH & Co. KG
 Klingenbergstraße 26
 D-32758 Detmold
 Germany

www.weidmueller.com



General ordering data

Version	Surge voltage arrester, Low voltage, with remote contact
Order No.	1351240000
Type	VPU II 2 R PV 1000V DC
GTIN (EAN)	4050118158816
Qty.	1 items
Delivery status	This article will no longer be available in the future.
Available until	2026-03-31T00:00:00+02:00
Alternative product	VPU PV II 3 R 1000

VPU II 2 R PV 1000V DC

Weidmüller Interface GmbH & Co. KG
Klingenbergstraße 26
D-32758 Detmold
Germany

www.weidmueller.com

Technical data

Approvals

Approvals



ROHS Conform

Dimensions and weights

Depth	69 mm	Depth (inches)	2.7165 inch
Height	106 mm	Height (inches)	4.1732 inch
Width	35.6 mm	Width (inches)	1.4016 inch
Mounting dimension - height	75 mm	Net weight	288 g

Temperatures

Storage temperature	-40 °C...80 °C	Operating temperature	-40 °C...70
---------------------	----------------	-----------------------	-------------

Environmental Product Compliance

RoHS Compliance Status	Compliant without exemption
REACH SVHC	No SVHC above 0.1 wt%

Connection data, remote alert

Cross-section for connected wire, solid core, min.	0.14 mm ²	Stripping length	8 mm
Connection type	PUSH IN	Cross-section for connected wire, solid core, max.	1.5 mm ²

General data

Optical function display	green = OK; red = arrester is defective - replace	Version	with remote contact
Design	Installation housing; 2TE, Insta IP 20	UL 94 flammability rating	V-0
Colour	black, orange	Protection degree	IP20
Mounting rail	TS 35	Operating altitude	≤ 2000 m

Insulation coordination acc. to EN 50178

Surge voltage category	III	Pollution severity	2
------------------------	-----	--------------------	---

Photovoltaic technical data

Standards	EN 50539-11	Short-circuit current ISCPV	200 A
Discharge current I _n (8/20 μs)	12.5 kA	Requirements class	Type II
Protection level Up (-/PE)	≤ 2.8 kV	Protection level Up (+/-)	≤ 5.6 kV
Protection level Up (+/PE)	≤ 2.8 kV	PV system voltage, max. U _{cpv}	1000 V
Maximum continuous operating voltage DC UCPV mode +/-, -/PE, +/PE	1000 V		

Rated data IEC / EN

Number of poles	2	Leakage current at U _n	30 μA
Signalling contact	250 V 1A 1CO, 125 V AC / 1 A, 48 V CC / 0.5 A	Rated voltage (DC)	1000 V

VPU II 2 R PV 1000V DC

Weidmüller Interface GmbH & Co. KG
 Klingenbergstraße 26
 D-32758 Detmold
 Germany

www.weidmueller.com

Technical data

PV voltage, acc. to IEC 60364-7-712	≤ 1000 V	Voltage type	DC
Response time / fallback time	≤ 25 ns	Standards	EN 50539-11
Max. continuous voltage, U _c (DC)	1000 V	Discharge current I _n (8/20µs) wire-PE	12.5 kA
Discharge current I _{max} (8/20µs) wire-PE	25 kA	SPD type	T2
Integrated back-up fuse	No		

Connection data

Stripping length	15 mm	Type of connection	Screw connection
Stripping length, rated connection	15 mm	Tightening torque, min.	2 Nm
Tightening torque, max.	3 Nm	Clamping range, rated connection	16 mm ²
Clamping range, min.	1.5 mm ²	Clamping range, max.	35 mm ²
Wire cross-section, solid, min.	1.5 mm ²	Wire cross-section, solid, max.	16 mm ²
Wire connection cross section, finely stranded, min.	1.5 mm ²	Wire connection cross section, finely stranded, max.	25 mm ²
Conductor cross-section, flexible, AEH (DIN 46228-1), min.	1.5 mm ²	Conductor cross-section, flexible, AEH (DIN 46228-1), max.	50 mm ²
Connection cross-section, stranded, min.	1.5 mm ²	Connection cross-section, stranded, max.	50 mm ²

Electrical data

Voltage type	DC
--------------	----

General data

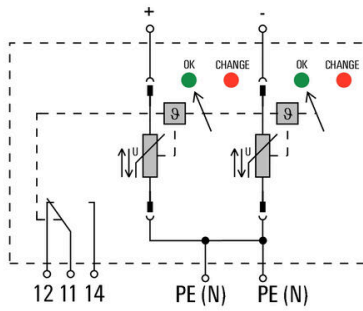
Number of poles	2	Protection degree	IP20
Colour	black, orange		

Classifications

ETIM 8.0	EC000941	ETIM 9.0	EC000941
ETIM 10.0	EC000941	ECLASS 14.0	27-17-90-90
ECLASS 15.0	27-17-90-90		

Drawings

Electric symbol



Circuit diagram

VPU II 2 R PV 1000V DC

Weidmüller Interface GmbH & Co. KG
 Klingenbergstraße 26
 D-32758 Detmold
 Germany

www.weidmueller.com

Accessories

Spare Arrester



General ordering data

Type	VPU II 0 PV 1000V DC	Version	
Order No.	1351190000	Surge voltage arrester, Low voltage, Accessories, Surge protection II	
GTIN (EAN)	4050118158847		
Qty.	1 ST		

Crosshead screwdriver Phillips

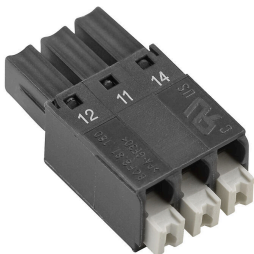


VDE insulated crosshead screwdriver, for Phillips screws, SDIK PH DIN 7438, ISO 8764/2-PH, output to ISO 8764-PH, SoftFinish grip

General ordering data

Type	SDIK PH1	Version	
Order No.	9008570000	Screwdriver, Screwdriver	
GTIN (EAN)	4032248056569		
Qty.	1 ST		

VPU Series



Extensive accessories round off the product range

General ordering data

Type	PLUG VPU	Version	
Order No.	1402570000	VPU series, Accessories	
GTIN (EAN)	4050118204360		
Qty.	10 ST		

VPU II 2 R PV 1000V DC

Weidmüller Interface GmbH & Co. KG
 Klingenbergstraße 26
 D-32758 Detmold
 Germany

www.weidmueller.com

Accessories

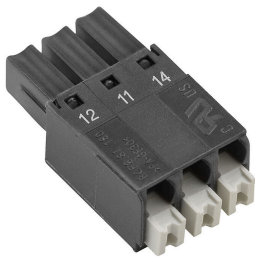
Spare Arrester



General ordering data

Type	VPU II 0 PV 1000V DC	Version	
Order No.	1351190000	Version	Surge voltage arrester, Low voltage, Accessories, Surge protection II
GTIN (EAN)	4050118158847		
Qty.	1 ST		

VPU Series



Extensive accessories round off the product range

General ordering data

Type	PLUG VPU	Version	
Order No.	1402570000	Version	VPU series, Accessories
GTIN (EAN)	4050118204360		
Qty.	10 ST		