

SAMPLE CH20M BUS 250MM TS 35X15

Weidmüller Interface GmbH & Co. KG
 Klingenbergstraße 26
 D-32758 Detmold
 Germany

www.weidmueller.com

Product image



The integrated rail bus for the modular electronics housing system

When supplying, connecting or distributing within modular applications, the rail bus can replace the tedious individual wiring process with a flexible and uninterrupted system-wide solution.

The system bus is securely integrated within the 35-mm standard mounting rail. The SMD-bus contact block can be reflow-soldered so that it can be completely automatically processed during the component assembly. The resistant, gold-plated contact surfaces ensure a permanent and reliable contact for all housing widths.

- **Unlimited scalability** The integrated connection solution covers all system widths: from the 6-mm slice to the 67-mm large-area housing.
- **Easy to service during installation** It's easy to replace a module, even in existing modules groups – without any influence on the neighbouring modules.
- **Universal integration** The uninterrupted system bus is securely integrated within the 35-mm standard mounting rail.
- **Maximum availability** Five fully-galvanized and partially gold-plated twin-arched contacts are used to establish a permanent contact to the rail bus. THR solder flanges ensure that the connection to the circuit board is stable.

General ordering data

Version	Mounting rail bus system, Sample set, OMNIMATE Housing - series CH20M, Width: 25.1 mm
Order No.	1335150000
Type	SAMPLE CH20M BUS 250MM TS 35X15
GTIN (EAN)	4050118138382
Qty.	1 items

SAMPLE CH20M BUS 250MM TS 35X15

Weidmüller Interface GmbH & Co. KG
 Klingenbergstraße 26
 D-32758 Detmold
 Germany

www.weidmueller.com

Technical data

Approvals

ROHS	Conform
------	---------

Dimensions and weights

Depth	250 mm	Depth (inches)	9.8425 inch
Height	6.2 mm	Height (inches)	0.2441 inch
Width	25.1 mm	Width (inches)	0.9882 inch
Length	250 mm	Length (inches)	9.8425 inch
Net weight	86 g		

Environmental Product Compliance

RoHS Compliance Status	Compliant without exemption
REACH SVHC	No SVHC above 0.1 wt%

General data

Protection degree	IP20 in installed state	Mounting rail	TS 35 x 7.5, TS 35 x 15, via bus profil
-------------------	-------------------------	---------------	---

Material data

Colour	black	Colour chart (similar)	RAL 9011
UL 94 flammability rating	V-0		

Material data

UL 94 flammability rating	V-0	Surface finish	untreated
Basic material	Plastic		

General data

Colour	black	Protection degree	IP20 in installed state
Mounting rail	TS 35 x 7.5, TS 35 x 15, via bus profil	Colour chart (similar)	RAL 9011

System parameters

Coating thickness Au, min.	0.5 µm	Coating thickness Au, max.	0.8 µm
Coating thickness Cu, min.	0.7 µm	Current carrying capacity, max. per circuit path	5 A
Current carrying capacity, max. circuit path (sum current)	25 A	Voltage AC bus rail according to DIN EN 63 V 60664, max.	
Voltage AC bus rail according to UL840, 30 V C22.2 no. 14.5, max.			

Classifications

ETIM 8.0	EC001031	ETIM 9.0	EC001031
ETIM 10.0	EC001031	ECLASS 14.0	27-19-06-05
ECLASS 15.0	27-19-06-05		

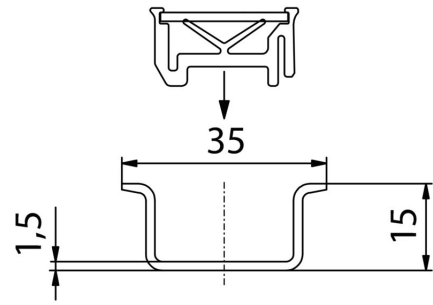
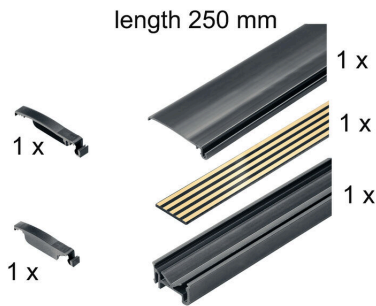
SAMPLE CH20M BUS 250MM TS 35X15

Weidmüller Interface GmbH & Co. KG
Klingenbergstraße 26
D-32758 Detmold
Germany

www.weidmueller.com

Drawings

set consists of:



SAMPLE CH20M BUS 250MM TS 35X15

Weidmüller Interface GmbH & Co. KG
Klingenbergstraße 26
D-32758 Detmold
Germany

Accessories

www.weidmueller.com

Network-compatible current measuring transducers ACT20C



The ACT20C series was especially developed for applications with continuous processes. It enables the continuous monitoring of diagnostic, device and process information ("condition monitoring"). Several ACT20C components form a station which consists of an ACT20C Ethernet gateway, communicative ACT20C signal converters and an ACT20C bus termination terminal.

General ordering data

Type	ACT20C-LBT-10	Version	
Order No.	1510340000	Bus termination terminal for ACT20C station, Input : 0...40/50/60 A,	
GTIN (EAN)	4050118319491	Output : Pulse	
Qty.	1 ST		