

## UC20-WL2000-AC

**Weidmüller Interface GmbH & Co. KG**

Klingenbergstraße 26

D-32758 Detmold

Germany

[www.weidmueller.com](http://www.weidmueller.com)



For modern IoT applications, automation technology needs to be increasingly more powerful and adaptable. u-mation offers a coordinated hardware portfolio designed for the future-proof preparation of your machines and systems. u-control 2000 is one of the most compact and state-of-the-art control systems on the market and is the centrepiece of our hardware portfolio. u-control 2000 forms the basis required for use of our engineering solutions u-create web, studio and IoT. The controllers modular design is based on the remote I/O system u-remote, and allows for needs-based expansion to include other components from the u-mation family.

### General ordering data

Version	Control web-based, u-create web, u-OS, IP20, 2 x RJ45 plug-in connectors, 24 V DC +20 %/ -15 %, Micro USB 2.0, -20 °C...55 °C
Order No.	<a href="#">1334950000</a>
Type	UC20-WL2000-AC
GTIN (EAN)	4050118138351
Qty.	1 items

## UC20-WL2000-AC

**Weidmüller Interface GmbH & Co. KG**  
 Klingenbergstraße 26  
 D-32758 Detmold  
 Germany

www.weidmueller.com

## Technical data

### Approvals

Approvals



ROHS	Conform
UL File Number Search	<a href="#">UL Website</a>
Certificate no. (cULus)	E141197
Certificate no. (cULusEX)	E223527

### Dimensions and weights

Depth	76 mm	Depth (inches)	2.9921 inch
Height	120 mm	Height (inches)	4.7244 inch
Width	52 mm	Width (inches)	2.0472 inch
Mounting dimension - height	128 mm	Net weight	232 g

### Temperatures

Storage temperature	-40 °C ... +85 °C	Operating temperature	-20 °C...55 °C
---------------------	-------------------	-----------------------	----------------

### Environmental Product Compliance

RoHS Compliance Status	Compliant with exemption
RoHS Exemption (if applicable/known)	7a, 7cl
REACH SVHC	Lead 7439-92-1, 6,6'-di-tert-butyl-2,2'-methylenedi-p-cresol 119-47-1
SCIP	b2baa72f-7638-44ad-b8eb-76854d0293dc

### Connection data

Type of connection	PUSH IN
--------------------	---------

### General data

UL 94 flammability rating	V-0	Mounting rail	TS 35
---------------------------	-----	---------------	-------

### Power supply

Feed current for IIN (input current path) , 5 A max.		Current consumption from I <sub>sys</sub> , typ.	116 mA
Supply voltage for outputs	24 V DC +20 %/ -15 %	Supply voltage system and inputs	24 V DC +20 %/ -15 %
Feed current for IOU <sub>T</sub> (output current path) , max.	5 A		

### System data

Module type	Controller	Interface	2x Ethernet TCP/IP, 1x Micro USB
max. number of modules	64	Configuration interface	Micro USB 2.0

## UC20-WL2000-AC

**Weidmüller Interface GmbH & Co. KG**  
 Klingenbergstraße 26  
 D-32758 Detmold  
 Germany

[www.weidmueller.com](http://www.weidmueller.com)

## Technical data

Program data memory expansion possible	Yes	Processor	Dual Core ARM Cortex A9, 624 MHz, 512 Mbyte RAM
Connection type	2 x RJ45 plug-in connectors	Engineering tool	u-create web, u-OS
Programming environment	web-based	Memory (Flash)	8 GB, 32 GB via microSD
Real-time clock	Battery buffered	Field bus protocol	PROFINET, EtherNet/IP
Transmission speed backplane bus, max.48 Mbit			

### Guarantee

Time interval	1 year
---------------	--------

### Important note

Product information	The matching end brackets are included with the control.
---------------------	--

### Classifications

ETIM 8.0	EC000236	ETIM 9.0	EC000236
ETIM 10.0	EC000236	ECLASS 14.0	27-24-22-07
ECLASS 15.0	27-24-22-07		

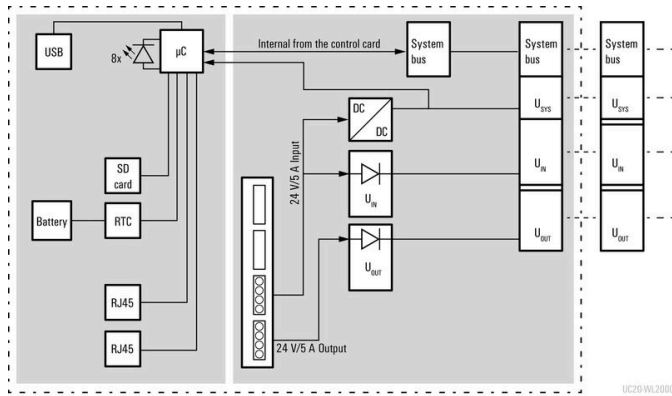
UC20-WL2000-AC

Weidmüller Interface GmbH & Co. KG  
 Klingenbergstraße 26  
 D-32758 Detmold  
 Germany

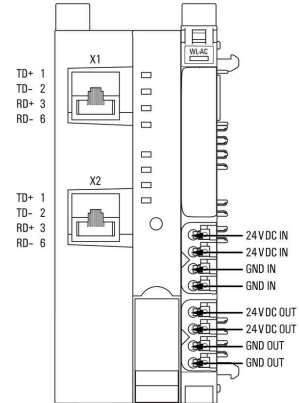
www.weidmueller.com

Drawings

Block diagram



Connection diagram



## UC20-WL2000-AC

**Weidmüller Interface GmbH & Co. KG**  
 Klingenbergstraße 26  
 D-32758 Detmold  
 Germany

www.weidmueller.com

## Accessories

### Accessories



#### System accessory

Discover a wide range of accessories for your u-remote system - the ideal addition to make your applications even more efficient and flexible.

### General ordering data

Type	UR20-EBK-ACC	Version	
Order No.	<a href="#">1346610000</a>	End bracket, ,	
GTIN (EAN)	4050118151596		
Qty.	5 ST		

Type	UR20-SM-ACC	Version	
Order No.	<a href="#">1339920000</a>	Cover, ,	
GTIN (EAN)	4050118144727		
Qty.	20 ST		

### Blank



### General ordering data

Type	PM 2.7/2.6 MC NE WS	Version	
Order No.	<a href="#">1323710000</a>	OMNIMATE Signal - series PM, Pusher markers, 2.7 x 2.6 mm, Pitch	
GTIN (EAN)	4050118126778	in mm (P): 3.50 Weidmueller, white	
Qty.	960 ST		

### Custom printing



## UC20-WL2000-AC

**Weidmüller Interface GmbH & Co. KG**  
 Klingenbergstraße 26  
 D-32758 Detmold  
 Germany

www.weidmueller.com

## Accessories

### General ordering data

Type	PM 2.7/2.6 MC SDR	Version	
Order No.	<a href="#">1323700000</a>	OMNIMATE Signal - series PM, Pusher markers, 2.7 x 2.6 mm, Pitch	
GTIN (EAN)	4050118126761	in mm (P): 3.50 Weidmueller, To customer specification	
Qty.	192 ST		

### Blank



The Dekafix (DEK) marker is the universal marker for all conductor and plug-in connectors as well as for electronic sub-assemblies. The system is ideal for short number sequences and covers a wide range of ready-printed markers.

Strips for fast installation in only one work step. The printing is easy to read, rich in contrast and available in various widths.

- Large range of ready-to-use markers
  - Strips for fast installation
  - Terminal markers, suitable for all Weidmüller cable connectors
  - Available as blank MultiCard or with standard printing
- For custom printing: Please send us a file of our labeling software M-Print PRO or M-Print PRO Online (without installation) for your labeling specifications.

### General ordering data

Type	DEK 5/8-11.5 MC NE WS	Version	
Order No.	<a href="#">1341630000</a>	Dekafix, Terminal marker, 5 x 8 mm, Pitch in mm (P): 8.00	
GTIN (EAN)	4050118145946	Weidmueller, white	
Qty.	500 ST		

### Custom printing



The Dekafix (DEK) marker is the universal marker for all conductor and plug-in connectors as well as for electronic sub-assemblies. The system is ideal for short number sequences and covers a wide range of ready-printed markers.

Strips for fast installation in only one work step. The printing is easy to read, rich in contrast and available in various widths.

- Large range of ready-to-use markers
  - Strips for fast installation
  - Terminal markers, suitable for all Weidmüller cable connectors
  - Available as blank MultiCard or with standard printing
- For custom printing: Please send us a file of our labeling software M-Print PRO or M-Print PRO Online (without installation) for your labeling specifications.

### General ordering data

Type	DEK 5/8-11.5 MC SDR	Version	
Order No.	<a href="#">1341610000</a>	Dekafix, Terminal marker, 5 x 8 mm, Pitch in mm (P): 8.00	
GTIN (EAN)	4050118146059	Weidmueller, To customer specification	
Qty.	100 ST		

## UC20-WL2000-AC

**Weidmüller Interface GmbH & Co. KG**  
Klingenbergstraße 26  
D-32758 Detmold  
Germany

## Accessories

[www.weidmueller.com](http://www.weidmueller.com)

### Accessories



#### System accessory

Discover a wide range of accessories for your u-remote system - the ideal addition to make your applications even more efficient and flexible.

### General ordering data

Type	IE-USB-A-MICRO-1.8M	Version	
Order No.	<a href="#">1487980000</a>		USB cable, USB A, USB Micro, PVC, 1.8 m
GTIN (EAN)	4050118298451		
Qty.	1 ST		

## Accessories

### u-link Remote Access Service



The Weidmüller u-link remote access service offers an easy possibility to securely access ethernet devices in a remote network.

With the u-link VPN Server as the central meeting point server, the VPN clients (service PC and Weidmüller u-link client devices) always connect outbound and thus conform to the typical IT security requirements. Separate database and server instances are used for each u-link customer account (secure client isolation) to ensure data integrity.

Communication between the u-link VPN server and remote clients (service PCs and u-link client devices) takes place via a certificate-protected openVPN connection. The u-link creed is "configuration instead of programming" the use is intuitive and does not require expert knowledge.

Featureset:

- 1-click VPN remote access for service PC's
- easyAccess: web, rdp or vnc connections to remote hosts fully browser based for use with tablet or smartphone
- Organization and Group Management
- Topologies including 3rd party end-devices
- Firmware management: Display of firmware status of all routers and the option of a time-controlled, automated firmware update
- Individual access rights: granular configuration of access rights to devices in the target network
- Extensive event log: Presentation of all activities in the u-link portal with extensive filter and export functions
- Password policy: Increased security through configurable specification of minimum requirements for password quality and validity period

Weidmüller offers the following usage variations and additional options for the u-link Remote Access Service:

Basic version:

- Automatically assigned by registering at u-link.weidmueller.com
- Free use for 6 months, extended to 365 days when registering a new u-link client device
- Full featureset
- Unlimited users
- Max. 50 u-link capable devices (access points to a remote network)
- 1 simultaneous VPN connection
- No data or speed limitations (subject to normal market usage)

Extensions

- Additional 50/100/250/500/1000 or more u-link capable devices
- Additional simultaneous VPN connections
- China-VPN: secure and reliable VPN connection to and from China

## UC20-WL2000-AC

**Weidmüller Interface GmbH & Co. KG**  
 Klingenbergstraße 26  
 D-32758 Detmold  
 Germany

www.weidmueller.com

## Accessories

## General ordering data

Type	U-LINK-50-DEVICES-1Y	Version
Order No.	<a href="#">2870090000</a>	License code for u-link Remote Access Service., Adds 50 additional configurable u-link clients on Weidmüller hardware to the basic license and extends the period of the basic license accordingly.
GTIN (EAN)		
Qty.	1 ST	
Type	U-LINK-100-DEVICES-1Y	Version
Order No.	<a href="#">2870100000</a>	License code for u-link Remote Access Service., Adds 100 additional configurable u-link clients on Weidmüller hardware to the basic license and extends the period of the basic license accordingly.
GTIN (EAN)		
Qty.	1 ST	
Type	U-LINK-250-DEVICES-1Y	Version
Order No.	<a href="#">2870110000</a>	License code for u-link Remote Access Service., Adds 250 additional configurable u-link clients on Weidmüller hardware to the basic license and extends the period of the basic license accordingly.
GTIN (EAN)		
Qty.	1 ST	
Type	U-LINK-500-DEVICES-1Y	Version
Order No.	<a href="#">2870120000</a>	License code for u-link Remote Access Service., Adds 500 additional configurable u-link clients on Weidmüller hardware to the basic license and extends the period of the basic license accordingly.
GTIN (EAN)		
Qty.	1 ST	
Type	U-LINK-1000-DEVICES-1Y	Version
Order No.	<a href="#">2924220000</a>	License code for u-link Remote Access Service., Adds 1000 additional configurable u-link clients on Weidmüller hardware to the basic license and extends the period of the basic license accordingly.
GTIN (EAN)		
Qty.	1 ST	
Type	U-LINK-1-CONNECTION-1Y	Version
Order No.	<a href="#">2870130000</a>	"VPN connection" licence code for u-link Remote Access Service. Can be used as an additional VPN connection or to extend the period of a VPN connection that has already been activated
GTIN (EAN)		
Qty.	1 ST	
Type	U-LINK-CNSERVER-1Y	Version
Order No.	<a href="#">2870140000</a>	License code for u-link Remote Access Service., Allows the use of the server in China for a secure and reliable VPN connection to and from China.
GTIN (EAN)		
Qty.	1 ST	

## Crimping tools



Crimping tools for wire end ferrules, with and without plastic collars

- Ratchet guarantees precise crimping
- Release option in the event of incorrect operation

## General ordering data

Type	PZ 2.5 S	Version
Order No.	<a href="#">2903690000</a>	0.14mm <sup>2</sup> , 2.5mm <sup>2</sup> , Trapezoidal crimp
GTIN (EAN)	4099986027008	
Qty.	1 ST	