

UR20-FBC-EC

Weidmüller Interface GmbH & Co. KG

Klingenbergstraße 26

D-32758 Detmold

Germany

www.weidmueller.com



More performance. Simplified.

u-remote. Weidmüller u-remote – our innovative remote I/O concept with IP 20 which focuses purely on user benefits: tailored planning, faster installation, safer start-up, and no more downtime for considerably improved performance and greater productivity.

Reduce the size of your cabinets with u-remote, thanks to the narrowest modular design on the market and the need for fewer power-feed modules. Our u-remote technology offers tool-free assembly while the modular “sandwich” design and integrated web server speed up installation, both in the cabinet and machine. Status LEDs on the channel and each u-remote module enable reliable diagnosis and rapid service.

Our products boost the availability of your machines and systems, and ensure smooth processes, from planning to operation.

u-remote stands for “More Performance.” Simplified.

General ordering data

Version	Remote I/O fieldbus coupler, IP20, Ethernet, Ether-CAT
Order No.	1334910000
Type	UR20-FBC-EC
GTIN (EAN)	4050118138283
Qty.	1 items

Technical data

Approvals

Approvals



ROHS	Conform
UL File Number Search	UL Website
Certificate no. (cULus)	E141197
Certificate no. (cULusEX)	E223527

Dimensions and weights

Depth	76 mm	Depth (inches)	2.9921 inch
Height	120 mm	Height (inches)	4.7244 inch
Width	52 mm	Width (inches)	2.0472 inch
Mounting dimension - height	128 mm	Net weight	227 g

Temperatures

Storage temperature	-40 °C ... +85 °C	Operating temperature	-20 °C...60 °C
---------------------	-------------------	-----------------------	----------------

Environmental Product Compliance

RoHS Compliance Status	Compliant with exemption
RoHS Exemption (if applicable/known)	7a, 7cl
REACH SVHC	Lead 7439-92-1, 6,6'-di-tert-butyl-2,2'-methylenedi-p-cresol 119-47-1
SCIP	6e2691a1-14ad-497d-95a2-4457373ed84f

Connection data

Wire cross-section, finely stranded, max. (AWG)	AWG 16	Wire cross-section, finely stranded, min. (AWG)	AWG 26
Wire cross-section, solid, max. (AWG)	AWG 16	Wire cross-section, solid, min. (AWG)	AWG 26
Type of connection	PUSH IN	Wire cross-section, solid, max.	1.5 mm ²
Wire cross-section, solid, min.	0.14 mm ²	Wire connection cross section, finely stranded, max.	1.5 mm ²
Wire connection cross section, finely stranded, min.	0.14 mm ²		

General data

Vibration resistance	5 Hz ≤ f ≤ 8.4 Hz: 3.5-mm amplitude as per IEC 60068-2-6, 8.4 Hz ≤ f ≤ 150 Hz: 1 g acceleration as per IEC 60068-2-6	UL 94 flammability rating	V-0
Test voltage	500 V	Surge voltage category	II

Technical data

Pollution severity	2	Mounting rail	TS 35
Air pressure (operation)	≥ 795 hPa (height ≤ 2000 m) as per DIN EN 61131-2	Air humidity (transport)	10% to 95%, non-condensing as per DIN EN 61131-2
Air pressure (transport)	1013 hPa (height 0 m) to 700 hPa (height 3000 m) as per DIN EN 61131-2	Air pressure (storage)	1013 hPa (height 0 m) to 700 hPa (height 3000 m) as per DIN EN 61131-2
Air humidity (operation)	10% to 95%, non-condensing as per DIN EN 61131-2	Air humidity (storage)	10% to 95%, non-condensing as per DIN EN 61131-2
Shock	15 g over 11 ms, half sinus wave, acc. to IEC 60068-2-27		

Power supply

Supply voltage	24 V DC +20 %/ -15 %, via the system bus	Feed current for the system, max.	4 A
Feed current for IIN (input current path), max.	10 A	Current consumption from I _{sys} , typ.	130 mA
Supply voltage for outputs	24 V DC +20 %/ -15 %	Supply voltage system and inputs	24 V DC +20 %/ -15 %
Feed current for IOU _T (output current path), max.	10 A		

System data

Module type	Bus coupler	Interface	u-remote system bus
Process data	1024 Byte	max. number of modules	64
Configuration interface	Micro USB 2.0	Connection type	2x RJ45 plug-in connectors
Field bus protocol	EtherCAT	Transmission rate of field bus, max.	100 Mbit/s
Transmission speed of system bus, max.	48 Mbit/s	Parameter data	4 kByte
Diagnostic data	3200 Byte		

Important note

Product information The matching end brackets are included with the coupler.

Classifications

ETIM 8.0	EC001603	ETIM 9.0	EC001603
ETIM 10.0	EC001603	ECLASS 14.0	27-24-26-07
ECLASS 15.0	27-24-26-07		

Tender specification sheets

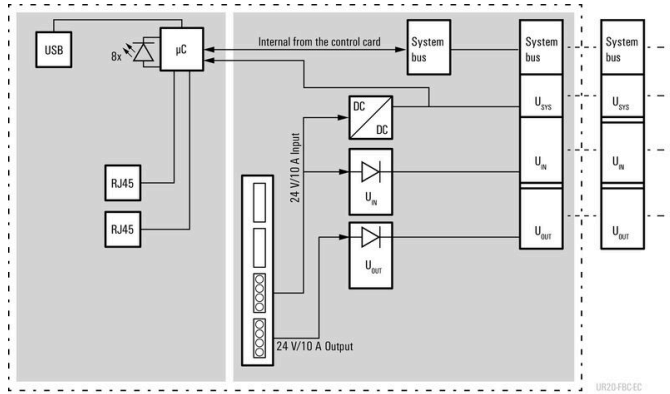
Long specification EtherCAT field bus coupler with integrated 2-port switch, 100 Mbit/s for digital and analogue signals. The field bus coupler recognises the installed modules and uses them to generate a process image. The module sequence is not relevant. The field bus coupler is integrated into an application as an EtherCAT I/O device. Connection system: PUSH-IN terminal Transmission

Technical data

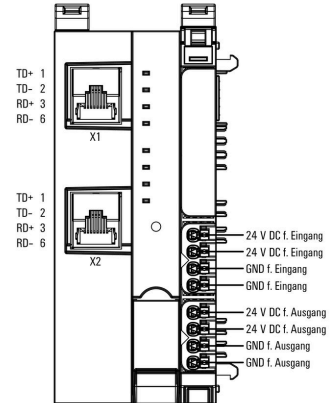
medium: Fieldbus
transmission rate: 100
Mbit Transmission rate of
the u-remote system bus:
48 Mbit Bus interface: 2
x RJ45 Voltage supply:
24 VDC +25% / - 15%
Feed-in current for system:
4 A Feed-in current for
input modules: 10 A
Feed-in current for output
modules: 10 A Internal
current consumption:
130 mA Process data:
8 kByte Parameter data:
1024 bytes Diagnostic
data: 1024 bytes Number
of I/O points: Number
of I/O stations: Number
of modules: max. 64
Protocol: EtherCAT
Start-up aid: web server
Configuration interface:
USB Protection degree:
IP20 Mounting position:
horizontal, vertical with
derating - see manual
Efficiency of the power
supply unit: Potential
separation: between
system path, input and
output paths Current via
power contacts: 10 A
on input and on output
paths Storage temperature:
-40°C - +85°C Operating
temperature: -20°C - +60°C
Relative humidity: 10%
- 90%, non-condensing
Weight: 220 g Dimensions
(WxHxD): 52 mm x 120
mm x 76 mm Approvals:
UL, Ex, Brand: Weidmüller
Type: UR20-FBC-EC

Drawings

Block diagram



Connection diagram



Explanation of abbreviations

Field bus coupler

