

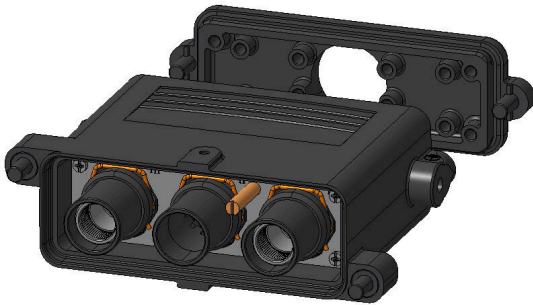
**HDC HP550 KIT Y 1F240****Weidmüller Interface GmbH & Co. KG**

Klingenbergstraße 26

D-32758 Detmold

Germany

www.weidmueller.com

**IP68**  
240 mm<sup>2</sup>

The RockStar® HighPower housings are manufactured from high-strength die-cast aluminium and offer perfect protection against harsh environmental conditions thanks to continual optimisation. The multi-part housing gives users the opportunity to examine work processes down to the last step in the workflow.

**General ordering data**

Version	RockStar® HDC kits-Heavy-duty connectors, Plug-in connector, HighPower, 1000 V, 880 A, diecast aluminium, Plug housing
Order No.	<a href="#">1332640000</a>
Type	HDC HP550 KIT Y 1F240
GTIN (EAN)	4050118136500
Qty.	1 items

## HDC HP550 KIT Y 1F240

**Weidmüller Interface GmbH & Co. KG**  
 Klingenbergstraße 26  
 D-32758 Detmold  
 Germany

www.weidmueller.com

## Technical data

### Approvals

ROHS	Conform
------	---------

### Dimensions and weights

Height	130.5 mm	Height (inches)	5.1378 inch
Width	64 mm	Width (inches)	2.5197 inch
Length	192 mm	Length (inches)	7.559 inch
Net weight	3010 g		

### Temperatures

Limit temperature	-50 °C ... 120 °C
-------------------	-------------------

### Environmental Product Compliance

RoHS Compliance Status	Compliant with exemption
RoHS Exemption (if applicable/known)	6c
REACH SVHC	Lead 7439-92-1
SCIP	a1b198df-2a58-40a5-bb31-ff1a2bb12993

### General data

UL 94 flammability rating	V-0	Surface finish	Powder coating
Protection degree	IP68	Series	HighPower

### Version

Size of cable entries	M 40	Number of cable entry on top	1
Type of connection	Crimp contact	Design of housing	Plug housing
Design of locking system	Clamping yoke connection	Design	straight
Sealing	Silicone rubber	Internal thread	M 40
Colour (RAL)	RAL 9005		

### General data

Number of poles	1	Series	HighPower
Rated voltage (DIN EN 61984)	1000 V	Rated current (DIN EN 61984)	880 A

### Version

Stripping length, rated connection	30 mm	Type of connection	Crimp contact
Conductor cross-section, max.	240 mm <sup>2</sup>	Surface finish	Powder coating

### Important note

Product information	Depending on the intended operation, internally generated voltages can superimpose the working voltage and contain corresponding peaks. It is imperative to ensure that these peak voltages do not exceed the rated voltage. For applications outside of this specification, please contact us.
---------------------	---

### Classifications

ETIM 8.0	EC002641	ETIM 9.0	EC002641
ETIM 10.0	EC002641	ECLASS 14.0	27-44-03-06
ECLASS 15.0	27-44-03-06		

**HDC HP550 KIT Y 1F240**

**Weidmüller Interface GmbH & Co. KG**  
Klingenbergstraße 26  
D-32758 Detmold  
Germany

**Drawings**

[www.weidmueller.com](http://www.weidmueller.com)

