

KLIPPON K3 EX RAL7001

Weidmüller Interface GmbH & Co. KG

Klingenbergstraße 26
D-32758 Detmold
Germany

www.weidmueller.com

Similar to illustration



The aluminium Klippon® K enclosures are suitable for use in an extremely wide range of different areas. Various components can be installed inside the enclosures, and will benefit in particular from the high temperature resistance, the excellent IP protection and the good impact resistance.

No matter what kind of application the customer is planning, Weidmüller is able to provide a wide range of aluminium enclosures precisely fitting the customer's requirements.

Klippon® K enclosures for hazardous areas are available on request.

Our extensive product range offers the following advantages:

- Available in two surface finishes: natural and powder-coated (RAL 7001)
 - With chloroprene moulded seal as standard (silicone moulded seal optionally available)
 - Standardised closure system with Torx slotted screw head for 19 enclosure sizes
 - Mounting holes outside of the gasket area
 - High IP protection classes: IP66, IP67 and IP68 according to DIN EN 60529
 - Impact resistance of up to 7 (10) Joules
 - The enclosures are approved according to ATEX, IECEx, cULus, and DNV GL as well as the empty enclosure standard.
- Suitable for railway applications according to EN 45545-2:2013
 - Alloy is resistant to salt water
 - Standardised distributor enclosures with threaded holes and a variety of terminal configurations

General ordering data

Version	Klippon K (aluminium empty enclosure), Empty enclosure, Aluminium enclosure, Height: 70 mm, Width: 165 mm, Depth: 45 mm, Basic material: Aluminium AlSi12, Powder-coated, textured, Silver grey
Order No.	1329670000
Type	KLIPPON K3 EX RAL7001
GTIN (EAN)	4050118133837
Qty.	1 items

KLIPPON K3 EX RAL7001

Weidmüller Interface GmbH & Co. KG
 Klingenbergstraße 26
 D-32758 Detmold
 Germany

www.weidmueller.com

Technical data

Approvals

Approvals



ROHS Conform

Dimensions and weights

Depth	45 mm	Depth (inches)	1.7716 inch
Height	70 mm	Height (inches)	2.7559 inch
Width	165 mm	Width (inches)	6.4961 inch
Mounting dimension - height	42 mm	Mounting dimension - width	153 mm
Net weight	434.72 g		

Temperatures

Operating temperature -60 °C...135 °C

Environmental Product Compliance

RoHS Compliance Status Compliant without exemption
 REACH SVHC No SVHC above 0.1 wt%

Cable glands, left

M12	1	M16	1
-----	---	-----	---

Cable glands, right

M16	1	M12	1
-----	---	-----	---

Cable glands, top/bottom

M20	4	M12	6
M16	5		

Certificate numbers enclosure

Declaration of Conformity No. (DoC LVD)	DE PS2410 160412 001ISS03	Attestation of Conformity No. (AoC)	DE PS2410 160308 001ISS03
Certificate no. empty enclosure (INMETRO)	LMP 23.0526U	Certificate no. Terminal Box (ATEX)	IBEXU12ATEX1145 X
Certificate no. empty enclosure (ATEX)	IBEXU12ATEX1144 U	Certificate no. Terminal Box (INMETRO)	LMP 23.0527X
Certificate no. Terminal Box (IECEX)	IECEX IBE 13.0002X	Certificate no. empty enclosure (IECEX)	IECEX IBE 13.0001U
Certificate No. (IECEX)	IECEXIBE13.0002X	Certificate No. (ATEX)	IBEXU12ATEX1144U
Approval conditions	DNV, GL, RMRS, ATEX, IECEX, UL AEx Class Div., CCC, INMETRO		

General information

Material thickness of cover	3 mm	Material thickness of enclosure	3.5 mm
Operating temperature, max.	135 °C	Operating temperature, min.	-60 °C

KLIPPON K3 EX RAL7001

Weidmüller Interface GmbH & Co. KG
 Klingenbergstraße 26
 D-32758 Detmold
 Germany

www.weidmueller.com

Technical data

Lid attachment	M4 torx stainless steel screws with slot	Standards	IEC 60079-0, IEC 60079-7, IEC 60079-31, EN 45545-2:2013
Surface finish	Powder-coated, textured	Impact resistance	7 J ATEX version
Protection degree	IP66, IP67	Basic material	Aluminium AISi12
Seal material	Silicone	Torque for lid screws	2.5 Nm
Integral fixing	Threaded holes M4	Enclosure attachment	Holes 4 mm
Number of lid screws	4	Access opening: width	158 mm
Flange plate	No	Lid	Yes
Access opening: height	63 mm	Areas of use	Explosive risk zone, Process industry, Transportation, Packaging industry, Marine engineering, Machine construction, Harbour facilities

horizontal assembly

WDU 2,5 / ZDU 2,5 / IDU 2,5 1x22

vertical assembly

WDU 2,5 / ZDU 2,5 / IDU 2,5 * WDU 4 / ZDU 4 *

Classifications

ETIM 8.0	EC002503	ETIM 9.0	EC002503
ETIM 10.0	EC002503	ECLASS 14.0	27-18-05-02
ECLASS 15.0	27-18-05-02		

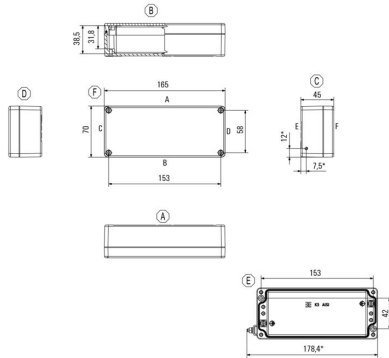
KLIPPON K3 EX RAL7001

Weidmüller Interface GmbH & Co. KG
Klingenbergstraße 26
D-32758 Detmold
Germany

Drawings

www.weidmueller.com

Dimensioned drawing



XX* nur für 9528880000