

## KLIPPON K2 EX RAL7001

**Weidmüller Interface GmbH & Co. KG**

Klingenbergstraße 26  
D-32758 Detmold  
Germany

[www.weidmueller.com](http://www.weidmueller.com)

### Similar to illustration



The aluminium Klippon® K enclosures are suitable for use in an extremely wide range of different areas. Various components can be installed inside the enclosures, and will benefit in particular from the high temperature resistance, the excellent IP protection and the good impact resistance.

No matter what kind of application the customer is planning, Weidmüller is able to provide a wide range of aluminium enclosures precisely fitting the customer's requirements.

Klippon® K enclosures for hazardous areas are available on request.

Our extensive product range offers the following advantages:

- Available in two surface finishes: natural and powder-coated (RAL 7001)
  - With chloroprene moulded seal as standard (silicone moulded seal optionally available)
  - Standardised closure system with Torx slotted screw head for 19 enclosure sizes
  - Mounting holes outside of the gasket area
  - High IP protection classes: IP66, IP67 and IP68 according to DIN EN 60529
  - Impact resistance of up to 7 (10) Joules
  - The enclosures are approved according to ATEX, IECEx, cULus, and DNV GL as well as the empty enclosure standard.
- Suitable for railway applications according to EN 45545-2:2013
  - Alloy is resistant to salt water
  - Standardised distributor enclosures with threaded holes and a variety of terminal configurations

### General ordering data

Version	Klippon K (aluminium empty enclosure), Empty enclosure, Aluminium enclosure, Height: 70 mm, Width: 100 mm, Depth: 45 mm, Basic material: Aluminium AlSi12, Powder-coated, textured, Silver grey
Order No.	<a href="#">1329650000</a>
Type	KLIPPON K2 EX RAL7001
GTIN (EAN)	4050118133905
Qty.	1 items

## KLIPPON K2 EX RAL7001

**Weidmüller Interface GmbH & Co. KG**  
 Klingenbergstraße 26  
 D-32758 Detmold  
 Germany

www.weidmueller.com

## Technical data

### Approvals

Approvals



ROHS Conform

### Dimensions and weights

Depth	45 mm	Depth (inches)	1.7716 inch
Height	70 mm	Height (inches)	2.7559 inch
Width	100 mm	Width (inches)	3.937 inch
Mounting dimension - height	42 mm	Mounting dimension - width	88 mm
Net weight	358 g		

### Temperatures

Operating temperature -60 °C...135 °C

### Environmental Product Compliance

RoHS Compliance Status Compliant without exemption  
 REACH SVHC No SVHC above 0.1 wt%

### Cable glands, left

M12	1	M16	1
-----	---	-----	---

### Cable glands, right

M16	1	M12	1
-----	---	-----	---

### Cable glands, top/bottom

M20	2	M12	3
M16	3		

### Certificate numbers enclosure

Declaration of Conformity No. (DoC LVD)	DE PS2410 160412 001ISS03	Attestation of Conformity No. (AoC)	DE PS2410 160308 001ISS03
Certificate no. empty enclosure (INMETRO)	LMP 23.0526U	Certificate no. Terminal Box (ATEX)	IBEXU12ATEX1145 X
Certificate no. empty enclosure (ATEX)	IBEXU12ATEX1144 U	Certificate no. Terminal Box (INMETRO)	LMP 23.0527X
Certificate no. Terminal Box (IECEX)	IECEX IBE 13.0002X	Certificate no. empty enclosure (IECEX)	IECEX IBE 13.0001U
Certificate No. (IECEX)	IECEXIBE13.0001U	Certificate No. (ATEX)	IBEXU12ATEX1144U
Approval conditions	DNV, GL, RMRS, ATEX, IECEX, UL AEx Class Div., CCC, INMETRO		

### General information

Material thickness of cover	3 mm	Material thickness of enclosure	3.5 mm
Operating temperature, max.	135 °C	Operating temperature, min.	-60 °C

**KLIPPON K2 EX RAL7001**

**Weidmüller Interface GmbH & Co. KG**  
 Klingenbergstraße 26  
 D-32758 Detmold  
 Germany

www.weidmueller.com

**Technical data**

Lid attachment	M4 torx stainless steel screws with slot	Installation advice	Lid screws included
Standards	IEC 60079-0, IEC 60079-7, IEC 60079-31, EN 45545-2:2013	Surface finish	Powder-coated, textured
Impact resistance	7 J ATEX version	Protection degree	IP66, IP67
Basic material	Aluminium AISi12	Seal material	Silicone
Torque for lid screws	2.5 Nm	Integral fixing	Threaded holes M4
Enclosure attachment	Holes 4 mm	Number of lid screws	4
Access opening: width	93 mm	Flange plate	No
Lid	Yes	Access opening: height	63 mm
Areas of use	Explosive risk zone, Process industry, Transportation, Packaging industry, Marine engineering, Machine construction, Harbour facilities		

**horizontal assembly**

WDU 2,5 / ZDU 2,5 / IDU 2,5      1x10

**vertical assembly**

WDU 2,5 / ZDU 2,5 / IDU 2,5      \*      WDU 4 / ZDU 4      \*

**Classifications**

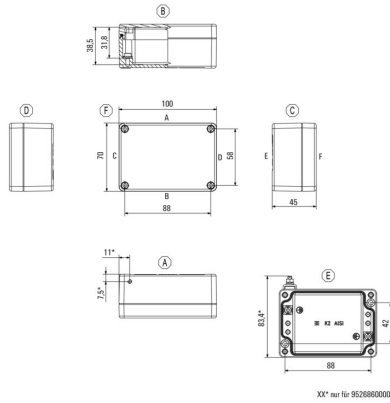
ETIM 8.0	EC002503	ETIM 9.0	EC002503
ETIM 10.0	EC002503	ECLASS 14.0	27-18-05-02
ECLASS 15.0	27-18-05-02		

**KLIPPON K2 EX RAL7001**

**Weidmüller Interface GmbH & Co. KG**  
Klingenbergstraße 26  
D-32758 Detmold  
Germany

**Drawings**

**Dimensioned drawing**



## KLIPPON K2 EX RAL7001

**Weidmüller Interface GmbH & Co. KG**  
 Klingenbergstraße 26  
 D-32758 Detmold  
 Germany

www.weidmueller.com

## Accessories

### TS 15



The system accessories for the Klippon® K enclosure series allows you to easily adapt the enclosures to meet the specific requirements of every application.

- DIN Rails TS 35 and TS 15
- Mounting plates
- Hinges
- Wall-mounted holder

Weidmüller can manufacture and supply this enclosure - according to customer specifications - fitted with all necessary terminals and cable glands.

#### General ordering data

Type	TS15 90 KLIPPON K2 CSS	Version	
Order No.	<a href="#">1910010000</a>	Rail, TS 15, Width: 90 mm, without slot, Steel, galvanized, chromium-plated	
GTIN (EAN)	4032248536924		
Qty.	1 ST		

### Klippon® K - Mounting plates



The system accessories for the Klippon® K enclosure series allows you to easily adapt the enclosures to meet the specific requirements of every application.

- DIN Rails TS 35 and TS 15
- Mounting plates
- Hinges
- Wall-mounted holder

Weidmüller can manufacture and supply this enclosure - according to customer specifications - fitted with all necessary terminals and cable glands.

#### General ordering data

Type	MOPL K2 N FE	Version	
Order No.	<a href="#">1905270000</a>	Klippon K (aluminium empty enclosure), Mounting plate, Mounting plate, Height: 52 mm, Width: 91 mm, Depth: 3 mm, Basic material: Sheet steel, galvanized, galvanized, silver	
GTIN (EAN)	4032248524433		
Qty.	1 ST		

## KLIPPON K2 EX RAL7001

**Weidmüller Interface GmbH & Co. KG**  
 Klingenbergstraße 26  
 D-32758 Detmold  
 Germany

www.weidmueller.com

## Accessories

### Installation material



Integrate, expand and customise - the perfect supplement to every application

The fully structured range of system accessories for the new Klippon® TB enclosure series allows you to easily adapt the enclosures to meet the specific requirements of every application.

Mounting hardware kits

Mounting hardware kits are available for quick and easy installation of type label holders, document holders and rain hoods.

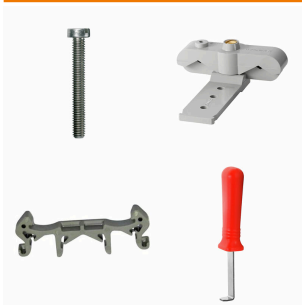
The label fastening set – SD is required to install a plastic (Trafolyte) ID or type label. With the aid of this set can you mount the ID or type label directly on the enclosure cover. The label fastening set has been specially developed for this purpose. Only by using this fastening set can you ensure that there will be no leaks into the enclosure or damage to the label.

The universal fastening set – TPSD has been developed to enable secure and quick installation of type label holders, rain covers or document holders, for example. By using this fastening set, the risk of leaks can be minimised, if not avoided.

### General ordering data

Type	TPSD FIXING SET KTB	Version
Order No.	<a href="#">1252190000</a>	Klippon TB (Terminal Box), Type plate fixings set, Basic material:
GTIN (EAN)	4050118043969	Stainless steel, rust-proof, untreated, silver
Qty.	20 ST	
Type	SD FIXING SET	Version
Order No.	<a href="#">1285200000</a>	Klippon TB (Terminal Box), Identification plate fixing set, Height: 12
GTIN (EAN)	4050118075472	mm, Width: 12 mm, Depth: 16.4 mm, Basic material: Stainless steel,
Qty.	1 ST	rust-proof, untreated, silver

### Mounting support



We offer a broad portfolio of mounting support for easy handling and supplementation of our products. From various tools to insulating sleeves and various screws, our components are matched to each other down to the last detail and thus facilitate assembly in compliance with the respective standards and protective regulations.

### General ordering data

Type	FKSC M4X6 D8/SW2	Version
Order No.	<a href="#">1567480000</a>	SAK Series, Allen hex screw, Screws, Number of poles: 1
GTIN (EAN)	4008190033491	
Qty.	100 ST	

**KLIPPON K2 EX RAL7001**

**Weidmüller Interface GmbH & Co. KG**  
 Klingenbergstraße 26  
 D-32758 Detmold  
 Germany

www.weidmueller.com

**Accessories**

**TS 15**



The system accessories for the Klippon® K enclosure series allows you to easily adapt the enclosures to meet the specific requirements of every application.

- DIN Rails TS 35 and TS 15
- Mounting plates
- Hinges
- Wall-mounted holder

Weidmüller can manufacture and supply this enclosure - according to customer specifications - fitted with all necessary terminals and cable glands.

**General ordering data**

Type	TS15X5 ST K2	Version	
Order No.	<a href="#">8000003884</a>	Rail, TS 15, Width: 90 mm, without slot, Steel, galvanic zinc plated	
GTIN (EAN)	4050118652505	and passivated	
Qty.	20 ST		