

IE-PCB-M12X-S-180**Weidmüller Interface GmbH & Co. KG**Klingenbergstraße 26
D-32758 Detmold
Germany

www.weidmueller.com

**General ordering data**

Version	PCB plug-in connector, M12, Solder connection, Cat.6A / Class EA (ISO/IEC 11801 2010), IP67, when screwed in, Reflow compatible
Order No.	1324010000
Type	IE-PCB-M12X-S-180
GTIN (EAN)	4050118127775
Qty.	10 items

IE-PCB-M12X-S-180

Weidmüller Interface GmbH & Co. KG

Klingenbergstraße 26

D-32758 Detmold

Germany

www.weidmueller.com

Technical data

Approvals

Approvals



ROHS Conform

UL File Number Search [UL Website](#)

Certificate no. (cULus) E316369

Dimensions and weights

Wall thickness, min.	0.9 mm	Wall thickness, max.	2.5 mm
Net weight	11.75 g		

Temperatures

Storage temperature	Operating temperature	-40 °C...85 °C
Installation temperature		

Environmental Product Compliance

RoHS Compliance Status	Compliant with exemption
RoHS Exemption (if applicable/known)	6c
REACH SVHC	Lead 7439-92-1
SCIP	67cf1078-beca-4687-860b-dc475a6ec24a

Technical data of PCB plug-in connector

Coding	X-coded	Nominal voltage	48 V
Protection degree	IP67, when screwed in	Contact surface	Gold over nickel
Housing main material	CuZn	Connection thread	M12
Insulation resistance	100 MΩ	Plugging cycles	≥ 100
Contact material	Cu-alloy		

General Info

Connection 1	M12	Connection 2	Solder connection
Composition	Reflow compatible	Housing main material	CuZn
Category	Cat.6A / Class EA (ISO/IEC 11801 2010)	Connection thread	M12
Contact material	Cu-alloy	Contact surface	Gold over nickel
Shielding material	CuSn	Shielding	360° all-round enclosure
Protection degree	IP67, when screwed in	Plugging cycles	≥ 100

Important note

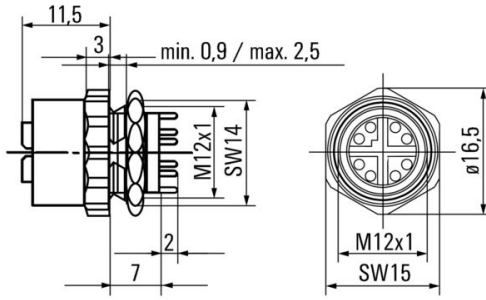
Notes

Classifications

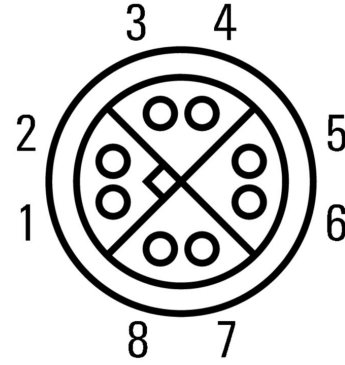
ETIM 8.0	EC003568	ETIM 9.0	EC003568
ETIM 10.0	EC003568	ECLASS 14.0	27-44-01-10
ECLASS 15.0	27-44-01-10		

Drawings

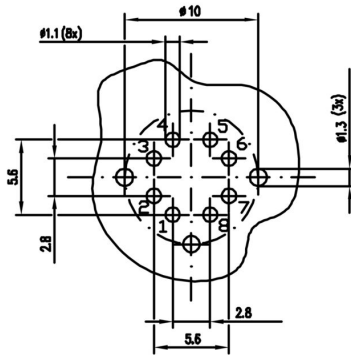
Dimensioned drawing



Pinning



Drilling template



Installation cut-out

