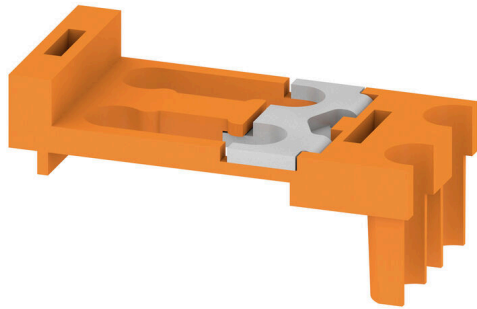


## QVS 2/4 SAKT4

**Weidmüller Interface GmbH & Co. KG**

Klingenbergstraße 26  
D-32758 Detmold  
Germany

[www.weidmueller.com](http://www.weidmueller.com)



### Current and voltage transformer wiring

Our test disconnect terminal blocks featuring spring and screw connection technology allow you to create all the important converter circuits for measuring current, voltage and power in a safe and sophisticated way.

### General ordering data

Version	Cross-connector (terminal), when screwed in, orange, 32 A, Number of poles: 2, Pitch in mm (P): 12.00, Insulated: Yes, Width: 11 mm
Order No.	<a href="#">1319260000</a>
Type	QVS 2/4 SAKT4
GTIN (EAN)	4008190136512
Qty.	20 items

## QVS 2/4 SAKT4

**Weidmüller Interface GmbH & Co. KG**  
 Klingenbergstraße 26  
 D-32758 Detmold  
 Germany

www.weidmueller.com

## Technical data

### Approvals

ROHS	Conform
------	---------

### Dimensions and weights

Depth	10.5 mm	Depth (inches)	0.4134 inch
Height	22.3 mm	Height (inches)	0.878 inch
Width	11 mm	Width (inches)	0.4331 inch
Net weight	0.77 g		

### Temperatures

Storage temperature	-25 °C...55 °C	Ambient temperature	-50 °C...55 °C
Continuous operating temp., min.	-50 °C	Continuous operating temp., max.	100 °C

### Environmental Product Compliance

RoHS Compliance Status	Compliant without exemption
REACH SVHC	No SVHC above 0.1 wt%

### Material data

Basic material	PA 66	Colour	orange
UL 94 flammability rating	V-2		

### System specifications

Version	Cross-connector
---------	-----------------

### Additional technical data

Type of fixing	when screwed in	Explosion-tested version	No
Type of mounting	when screwed in		

### Dimensions

Pitch in mm (P)	12.00 mm	TS 35 offset	45.5 mm
-----------------	----------	--------------	---------

### General

Number of poles	2	Operating temperature range, max.	100 °C
-----------------	---	-----------------------------------	--------

### Rating data

Rated voltage	400 V	Nominal current	32 A
---------------	-------	-----------------	------

### Classifications

ETIM 8.0	EC000489	ETIM 9.0	EC000489
ETIM 10.0	EC000489	ECLASS 14.0	27-25-03-03
ECLASS 15.0	27-25-03-03		