

**IE-CD-V14MSCRJ-MM-C-MA**

**Weidmüller Interface GmbH & Co. KG**  
Klingenbergstraße 26  
D-32758 Detmold  
Germany

www.weidmueller.com



Coupling FreeCon design for Fibre-optic plug-in connectors PushPull Var.14 according to IEC 61076-3-117, metal

**General ordering data**

Version	Junction box, FreeCon, SCRJ, Plug-in connector, IP65
Order No.	<a href="#">1318150000</a>
Type	IE-CD-V14MSCRJ-MM-C-MA
GTIN (EAN)	4050118123982
Qty.	1 items

## IE-CD-V14MSCRJ-MM-C-MA

**Weidmüller Interface GmbH & Co. KG**  
 Klingenbergstraße 26  
 D-32758 Detmold  
 Germany

www.weidmueller.com

## Technical data

### Approvals

Approvals



ROHS Conform

UL File Number Search [UL Website](#)

Certificate no. (cULus) E316369

### Dimensions and weights

Depth	43.9 mm	Depth (inches)	1.7283 inch
Height	52 mm	Height (inches)	2.0472 inch
Width	41 mm	Width (inches)	1.6142 inch
Net weight	224.56 g		

### Temperatures

Storage temperature	Operating temperature	-40 °C...70 °C
Installation temperature		

### Environmental Product Compliance

RoHS Compliance Status	Compliant without exemption
REACH SVHC	No SVHC above 0.1 wt%

### General data

Colour	silver	Housing main material	Aluminium profile, Cover: die-cast zinc, painted
Type of mounting	Screw mounting	Protection degree	IP65

### General standards

Connector standard	IEC 61076-3-117 Var. 14, IEC 61754-24	Certificate no. (cULus)	E316369
--------------------	--	-------------------------	---------

### Optical properties of fibre-optic coupling

Insertion attenuation (fibre-optic coupling)	<0.2 dB
--	---------

### Classifications

ETIM 8.0	EC002597	ETIM 9.0	EC002597
ETIM 10.0	EC002597	ECLASS 14.0	27-44-03-18
ECLASS 15.0	27-44-03-18		

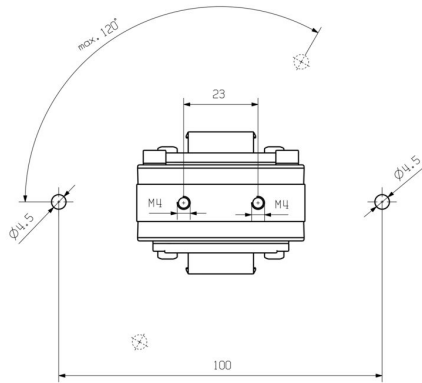
IE-CD-V14MSCRJ-MM-C-MA

Weidmüller Interface GmbH & Co. KG  
Klingenbergstraße 26  
D-32758 Detmold  
Germany

www.weidmueller.com

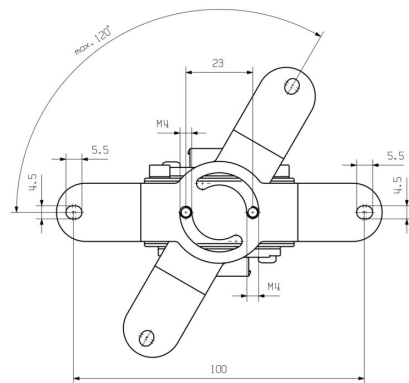
Drawings

Dimensioned drawing



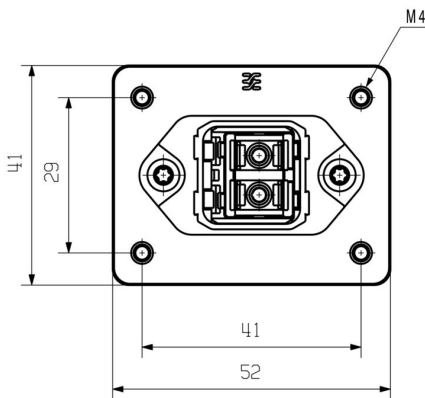
Bottom view

Dimensioned drawing



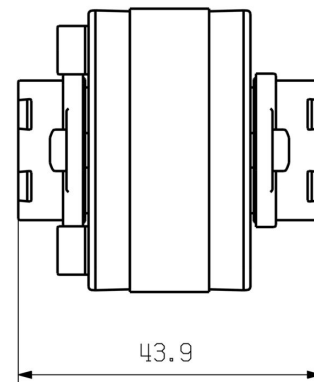
Bottom view with mounting foot

Dimensioned drawing



Front view

Dimensioned drawing



Side view