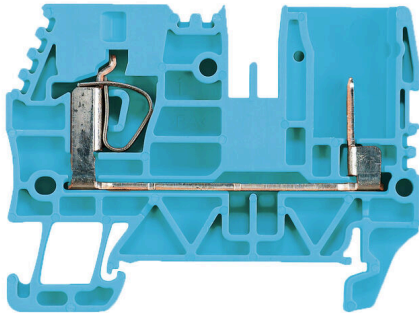


**ZT 4/2AN/1 BL**

**Weidmüller Interface GmbH & Co. KG**  
Klingenbergstraße 26  
D-32758 Detmold  
Germany

www.weidmueller.com

**Product image**

Some applications demand for a pluggable, modular solution to be more flexible or to facilitate the installation. Where complete functional units have to be prefabricated or replaced, modular and flexible connection systems are required. Our pluggable terminal blocks can be quickly assembled and are completely factory tested.

**General ordering data**

Version	Z-series, Plug-in modular terminals, Rated cross-section: 4 mm <sup>2</sup> , Tension-clamp connection
Order No.	<a href="#">1312830000</a>
Type	ZT 4/2AN/1 BL
GTIN (EAN)	4050118118322
Qty.	50 items

## ZT 4/2AN/1 BL

**Weidmüller Interface GmbH & Co. KG**  
 Klingenbergstraße 26  
 D-32758 Detmold  
 Germany

www.weidmueller.com

## Technical data

### Approvals

Approvals



ROHS Conform

### Dimensions and weights

Depth	43 mm	Depth (inches)	1.6929 inch
Depth including DIN rail	43.5 mm	Height	58 mm
Height (inches)	2.2835 inch	Width	6.5 mm
Width (inches)	0.2559 inch	Net weight	11.06 g

### Temperatures

Storage temperature	-25 °C...55 °C	Ambient temperature	-5 °C...40 °C
Continuous operating temp., min.	-50 °C	Continuous operating temp., max.	120 °C

### Environmental Product Compliance

RoHS Compliance Status	Compliant without exemption
REACH SVHC	No SVHC above 0.1 wt%

### Material data

Basic material	Wemid	Colour	blue
UL 94 flammability rating	V-0		

### System specifications

Version	2 tension-clamp connections - 1 plug-in connection, pluggable	End cover plate required	Yes
Number of potentials	1	Number of levels	1
Number of clamping points per level	1	Number of potentials per tier	1
Levels cross-connected internally	No	PE connection	No
Mounting rail	TS 35	PE function	No

### Additional technical data

Open sides	right	Explosion-tested version	No
Type of mounting	Snap-on		

### Conductors for clamping (additional connection)

Connection direction additional connection	top	Connection type, additional connection	pluggable
--	-----	--	-----------

### Conductors for clamping (rated connection)

Gauge to IEC 60947-1	A3	Wire connection cross section AWG, max.	AWG 10
Connection direction	top	Stripping length	12 mm
Type of connection 2	Plug-in connection	Type of connection	Tension-clamp connection
Number of connections	1	Clamping range, max.	6 mm <sup>2</sup>

## ZT 4/2AN/1 BL

**Weidmüller Interface GmbH & Co. KG**

Klingenbergstraße 26  
D-32758 Detmold  
Germany

[www.weidmueller.com](http://www.weidmueller.com)

## Technical data

Clamping range, min.	0.13 mm <sup>2</sup>	Blade size	0.6 x 3.5 mm
Wire connection cross section AWG, min.	AWG 26	Wire connection cross-section, finely stranded with wire-end ferrules DIN 46228/4, max.	4 mm <sup>2</sup>
Wire connection cross-section, finely stranded with wire-end ferrules DIN 46228/4, min.	0.13 mm <sup>2</sup>	Wire connection cross-section, finely stranded with wire-end ferrules DIN 46228/1, max.	4 mm <sup>2</sup>
Wire connection cross-section, finely stranded with wire-end ferrules DIN 46228/1, min.	0.13 mm <sup>2</sup>	Wire connection cross section, finely stranded, max.	6 mm <sup>2</sup>
Wire connection cross section, finely stranded, min.	0.13 mm <sup>2</sup>	Connection cross-section, stranded, max.	4 mm <sup>2</sup>
Connection cross-section, stranded, min.	0.13 mm <sup>2</sup>	Wire connection cross-section, solid core, max.	6 mm <sup>2</sup>
Wire connection cross-section, solid core, min.	0.13 mm <sup>2</sup>		

### General

Wire connection cross section AWG, max.	AWG 10	Wire connection cross section AWG, min.	AWG 26
Mounting rail	TS 35		

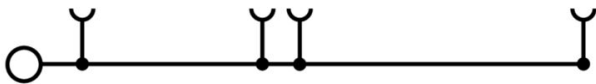
### Rating data

Rated cross-section	4 mm <sup>2</sup>	Rated voltage	800 V
Max. voltage of clamp support & pluggable system	800 V	Rated DC voltage	800 V
Nominal current	32 A	Current at maximum wires	32 A
Volume resistance according to IEC 60947-7-x	1 mΩ	Rated impulse withstand voltage	8 kV
Power loss in accordance with IEC 60947-7-x	1.02 W	Pollution severity	3

### Classifications

ETIM 8.0	EC000897	ETIM 9.0	EC000897
ETIM 10.0	EC000897	ECLASS 14.0	27-25-01-17
ECLASS 15.0	27-25-01-17		

**Drawings**



## ZT 4/2AN/1 BL

Weidmüller Interface GmbH &amp; Co. KG

Klingenbergstraße 26

D-32758 Detmold

Germany

www.weidmueller.com

## Accessories

## Cross-connections



The distribution or multiplication of a potential to adjoining terminal blocks is realized via a cross-connection. Additional wiring effort can be easily avoided. Even if the poles are broken out, contact reliability in the terminal blocks is still ensured. Our portfolio offers pluggable and screwable cross-connection systems for modular terminal blocks.

## General ordering data

Type	ZQV 4/2 GE	Version	
Order No.	<a href="#">1608950000</a>	Accessories, Cross-connector, 32 A	
GTIN (EAN)	4008190263225		
Qty.	60 ST		

## End plates and partition plates



Partition plates and end plates are essential accessories for terminal blocks. Partition plates provide optical and electrical separation of different potentials and functional groups, increasing safety and ensuring a clear structure inside the control cabinet. End plates close the terminal block row on the sides, protect against contact with live parts, and ensure a clean, stable finish. Both components are precisely matched to the respective Weidmüller terminal block series, contributing to safe, compliant, and professional wiring.

## General ordering data

Type	ZAP/TW ZT4/2AN	Version	
Order No.	<a href="#">1855220000</a>	Z-series, End plate, Partition plate	
GTIN (EAN)	4032248396528		
Qty.	50 ST		
Type	ZAP/TW ZT4/2AN OR	Version	
Order No.	<a href="#">1855230000</a>	Z-series, End plate, Partition plate	
GTIN (EAN)	4032248396511		
Qty.	50 ST		

## Plugs



The plugs for our WeiCoS-System are available for all different connection systems. The product range includes preassembled connectors from 1 to 10 poles and the possibility of an individual assembly. This ensures maximum flexibility for every application. The customized accessories increase the safety and protection against environmental influences.

## ZT 4/2AN/1 BL

**Weidmüller Interface GmbH & Co. KG**  
 Klingenbergstraße 26  
 D-32758 Detmold  
 Germany

## Accessories

www.weidmueller.com

### General ordering data

Type	ZVR ZP4	Version
Order No.	<a href="#">1855250000</a>	Z-series, Locking clips, Direct mounting
GTIN (EAN)	4032248396481	
Qty.	25 ST	
Type	KOSF ZT4	Version
Order No.	<a href="#">1856860000</a>	Z-series, Coding element, Direct mounting
GTIN (EAN)	4032248400744	
Qty.	50 ST	
Type	ZZE ZP4	Version
Order No.	<a href="#">1855260000</a>	Z-series, Strain relief, Direct mounting
GTIN (EAN)	4032248396498	
Qty.	25 ST	
Type	ZP 4/1AN/1	Version
Order No.	<a href="#">1848340000</a>	Z-series, Plug-in connector, beige, Direct mounting
GTIN (EAN)	4032248402908	
Qty.	50 ST	
Type	ZP 4/1AN/1 GN	Version
Order No.	<a href="#">1854980000</a>	Z-series, Plug-in connector, green, Direct mounting
GTIN (EAN)	4032248396054	
Qty.	50 ST	
Type	ZP 4/1AN/2	Version
Order No.	<a href="#">1854990000</a>	Z-series, Plug-in connector, beige, Direct mounting
GTIN (EAN)	4032248396061	
Qty.	25 ST	
Type	ZP 4/1AN/3	Version
Order No.	<a href="#">1855000000</a>	Z-series, Plug-in connector, beige, Direct mounting
GTIN (EAN)	4032248396078	
Qty.	25 ST	
Type	ZP 4/1AN/4	Version
Order No.	<a href="#">1855010000</a>	Z-series, Plug-in connector, beige, Direct mounting
GTIN (EAN)	4032248396085	
Qty.	25 ST	
Type	ZP 4/1AN/5	Version
Order No.	<a href="#">1855020000</a>	Z-series, Plug-in connector, beige, Direct mounting
GTIN (EAN)	4032248396092	
Qty.	20 ST	
Type	ZP 4/1AN/6	Version
Order No.	<a href="#">1855030000</a>	Z-series, Plug-in connector, beige, Direct mounting
GTIN (EAN)	4032248396108	
Qty.	20 ST	
Type	ZP 4/1AN/7	Version
Order No.	<a href="#">1855040000</a>	Z-series, Plug-in connector, beige, Direct mounting
GTIN (EAN)	4032248396115	
Qty.	20 ST	
Type	ZP 4/1AN/8	Version
Order No.	<a href="#">1855050000</a>	Z-series, Plug-in connector, beige, Direct mounting
GTIN (EAN)	4032248396122	
Qty.	20 ST	
Type	ZP 4/1AN/9	Version
Order No.	<a href="#">1855060000</a>	Z-series, Plug-in connector, beige, Direct mounting
GTIN (EAN)	4032248396139	
Qty.	10 ST	

## ZT 4/2AN/1 BL

**Weidmüller Interface GmbH & Co. KG**  
 Klingenbergstraße 26  
 D-32758 Detmold  
 Germany

www.weidmueller.com

## Accessories

Type	ZP 4/1AN/10	Version
Order No.	<a href="#">1855070000</a>	Z-series, Plug-in connector, beige, Direct mounting
GTIN (EAN)	4032248396146	
Qty.	10 ST	
Type	ZP 4/1AN/11	Version
Order No.	<a href="#">1855080000</a>	Z-series, Plug-in connector, beige, Direct mounting
GTIN (EAN)	4032248396153	
Qty.	20 ST	
Type	ZP 4/1AN/12	Version
Order No.	<a href="#">1855090000</a>	Z-series, Plug-in connector, beige, Direct mounting
GTIN (EAN)	4032248396160	
Qty.	10 ST	
Type	ZP 4/1AN/13	Version
Order No.	<a href="#">1855100000</a>	Z-series, Plug-in connector, beige, Direct mounting
GTIN (EAN)	4032248396177	
Qty.	10 ST	
Type	ZP 4/1AN/14	Version
Order No.	<a href="#">1855110000</a>	Z-series, Plug-in connector, beige, Direct mounting
GTIN (EAN)	4032248396184	
Qty.	10 ST	

## Blank



The Dekafix (DEK) marker is the universal marker for all conductor and plug-in connectors as well as for electronic sub-assemblies. The system is ideal for short number sequences and covers a wide range of ready-printed markers.

Strips for fast installation in only one work step. The printing is easy to read, rich in contrast and available in various widths.

- Large range of ready-to-use markers
  - Strips for fast installation
  - Terminal markers, suitable for all Weidmüller cable connectors
  - Available as blank MultiCard or with standard printing
- For custom printing: Please send us a file of our labeling software M-Print PRO or M-Print PRO Online (without installation) for your labeling specifications.

## General ordering data

Type	DEK 5/6 MC NE WS	Version
Order No.	<a href="#">1609820000</a>	Dekafix, Terminal marker, 5 x 6 mm, Pitch in mm (P): 6.00
GTIN (EAN)	4008190203436	Weidmueller, white
Qty.	1000 ST	
Type	WS 10/6 M MC NE WS	Version
Order No.	<a href="#">1818400000</a>	WS, Terminal marker, 10 x 6 mm, Pitch in mm (P): 6.00 Weidmueller,
GTIN (EAN)	4032248310876	Allen-Bradley, white
Qty.	600 ST	
Type	WS 10/6 MC NE WS	Version
Order No.	<a href="#">1828450000</a>	WS, Terminal marker, 10 x 6 mm, Pitch in mm (P): 6.00 Weidmueller,
GTIN (EAN)	4032248350513	Allen-Bradley, white
Qty.	600 ST	

## ZT 4/2AN/1 BL

Weidmüller Interface GmbH &amp; Co. KG

Klingenbergstraße 26

D-32758 Detmold

Germany

www.weidmueller.com

## Accessories

Type	DEK 5/6.5 MC NE WS	Version
Order No.	<a href="#">1609840000</a>	Dekafix, Terminal marker, 5 x 6.5 mm, Pitch in mm (P): 6.50
GTIN (EAN)	4008190203429	Weidmueller, white
Qty.	900 ST	

## Custom printing



The Dekafix (DEK) marker is the universal marker for all conductor and plug-in connectors as well as for electronic sub-assemblies. The system is ideal for short number sequences and covers a wide range of ready-printed markers.

Strips for fast installation in only one work step. The printing is easy to read, rich in contrast and available in various widths.

- Large range of ready-to-use markers
  - Strips for fast installation
  - Terminal markers, suitable for all Weidmüller cable connectors
  - Available as blank MultiCard or with standard printing
- For custom printing: Please send us a file of our labeling software M-Print PRO or M-Print PRO Online (without installation) for your labeling specifications.

## General ordering data

Type	DEK 5/6.5 MC SDR	Version
Order No.	<a href="#">1609850000</a>	Dekafix, Terminal marker, 5 x 6.5 mm, Pitch in mm (P): 6.50
GTIN (EAN)	4008190456610	Weidmueller, To customer specification
Qty.	180 ST	

## Plus



The Dekafix (DEK) marker is the universal marker for all conductor and plug-in connectors as well as for electronic sub-assemblies. The system is ideal for short number sequences and covers a wide range of ready-printed markers.

Strips for fast installation in only one work step. The printing is easy to read, rich in contrast and available in various widths.

- Large range of ready-to-use markers
  - Strips for fast installation
  - Terminal markers, suitable for all Weidmüller cable connectors
  - Available as blank MultiCard or with standard printing
- For custom printing: Please send us a file of our labeling software M-Print PRO or M-Print PRO Online (without installation) for your labeling specifications.

## General ordering data

Type	DEK 5/6.5 PLUS MC NE GE	Version
Order No.	<a href="#">1364020000</a>	Dekafix, Terminal marker, 5 x 6.5 mm, Pitch in mm (P): 6.50
GTIN (EAN)	4050118166057	Weidmueller, yellow
Qty.	900 ST	

## ZT 4/2AN/1 BL

Weidmüller Interface GmbH &amp; Co. KG

Klingenbergstraße 26

D-32758 Detmold

Germany

www.weidmueller.com

## Accessories

Type	DEK 5/6.5 PLUS MC NE WS	Version
Order No.	<a href="#">1046340000</a>	Dekafix, Terminal marker, 5 x 6.5 mm, Pitch in mm (P): 6.50
GTIN (EAN)	4032248782048	Weidmueller, white
Qty.	900 ST	

## Custom printing



The Dekafix (DEK) marker is the universal marker for all conductor and plug-in connectors as well as for electronic sub-assemblies. The system is ideal for short number sequences and covers a wide range of ready-printed markers.

Strips for fast installation in only one work step. The printing is easy to read, rich in contrast and available in various widths.

- Large range of ready-to-use markers
  - Strips for fast installation
  - Terminal markers, suitable for all Weidmüller cable connectors
  - Available as blank MultiCard or with standard printing
- For custom printing: Please send us a file of our labeling software M-Print PRO or M-Print PRO Online (without installation) for your labeling specifications.

## General ordering data

Type	DEK 5/6.5 PLUS MC SDR	Version
Order No.	<a href="#">1046360000</a>	Dekafix, Terminal marker, 5 x 6.5 mm, Pitch in mm (P): 6.50
GTIN (EAN)	4032248782062	Weidmueller, To customer specification
Qty.	180 ST	

## Blank



WS markers are the perfect match for the W-series connectors. Thanks to their system compatibility, the WS tags can also be used with the I-series and the Z-series. The large marking surfaces do not only permit long character strings but also multi-line text.

WS markers are ideal for labels with long, customised character strings. Thanks to the proven MultiCard format, printing with PrintJet CONNECT oder/or Plotter is possible.

- Can be fitted in strips or individually
  - Markers in proven MultiCard format
- For custom printing: Please send us a file of our labeling software M-Print PRO or M-Print PRO Online (without installation) for your labeling specifications.

## General ordering data

Type	WS 12/6.5 MC NE BL	Version
Order No.	<a href="#">1773561693</a>	WS, Terminal marker, 12 x 6.5 mm, Pitch in mm (P): 6.50
GTIN (EAN)	4032248142095	Weidmueller, Allen-Bradley, blue
Qty.	540 ST	

## ZT 4/2AN/1 BL

Weidmüller Interface GmbH &amp; Co. KG

Klingenbergstraße 26

D-32758 Detmold

Germany

www.weidmueller.com

## Accessories

Type	WS 12/6.5 MC NE GE	Version
Order No.	<a href="#">1773561687</a>	WS, Terminal marker, 12 x 6.5 mm, Pitch in mm (P): 6.50
GTIN (EAN)	4032248142033	Weidmueller, Allen-Bradley, yellow
Qty.	540 ST	
Type	WS 12/6.5 MC NE RT	Version
Order No.	<a href="#">1773561686</a>	WS, Terminal marker, 12 x 6.5 mm, Pitch in mm (P): 6.50
GTIN (EAN)	4032248142026	Weidmueller, Allen-Bradley, red
Qty.	540 ST	
Type	WS 12/6.5 MC NE WS	Version
Order No.	<a href="#">1609920000</a>	WS, Terminal marker, 12 x 6.5 mm, Pitch in mm (P): 6.50
GTIN (EAN)	4008190203511	Weidmueller, Allen-Bradley, white
Qty.	540 ST	

## Custom printing



WS markers are the perfect match for the W-series connectors. Thanks to their system compatibility, the WS tags can also be used with the I-series and the Z-series. The large marking surfaces do not only permit long character strings but also multi-line text. WS markers are ideal for labels with long, customised character strings. Thanks to the proven MultiCard format, printing with PrintJet CONNECT oder/or Plotter is possible.

- Can be fitted in strips or individually
- Markers in proven MultiCard format

For custom printing: Please send us a file of our labeling software M-Print PRO or M-Print PRO Online (without installation) for your labeling specifications.

## General ordering data

Type	WS 12/6.5 MC SDR	Version
Order No.	<a href="#">1609930000</a>	WS, Terminal marker, 12 x 6.5 mm, Pitch in mm (P): 6.50
GTIN (EAN)	4008190456665	Weidmueller, Allen-Bradley, To customer specification
Qty.	108 ST	

## Marker holder



The marker holder offer the possibility of additional mounting of standard markers with a pitch of 5 or 5.1 mm. The angled holders can be optionally snapped together and could be mounted in all standard marking channels of the Klippon® Connect modular terminal blocks. Fitting marker types could be found under the respective accessories of the designation marking holder.

## General ordering data

Type	BZT 1 WS 10/5	Version
Order No.	<a href="#">1805490000</a>	Accessories, Marker holder
GTIN (EAN)	4032248270231	
Qty.	100 ST	

## ZT 4/2AN/1 BL

**Weidmüller Interface GmbH & Co. KG**  
 Klingenbergstraße 26  
 D-32758 Detmold  
 Germany

www.weidmueller.com

## Accessories

Type	BZT 1 ZA WS 10/5	Version	
Order No.	<a href="#">1805520000</a>	Accessories, Marker holder	
GTIN (EAN)	4032248270248		
Qty.	100 ST		

## DEK 5/6



### WS/ DEK

MultiMark terminal markers use an innovative composite material made from two components. The hard base contour of the marker snaps securely into the connector. The elastic surface finish makes the marker easy to mount. This specially punched material enables the strips to be stretched to accommodate the slight variations in spacing that tend to add up, especially with long terminal blocks. Another advantage: the excellent printability of the surface material guarantees durable and wear-resistant labelling. A print resolution of 300 dpi also produces a very legible script.

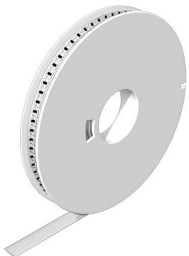
Your benefits with MultiMark

- Firm hold and durable printing
- Continuous strips save installation time
- Easy mounting thanks to an innovative composite material
- Large label field for optimal legibility
- High flexibility thanks to manufacturer independence

### General ordering data

Type	DEK 5/6 MM WS	Version	
Order No.	<a href="#">2007120000</a>	Dekafix, Terminal marker, 5 x 6 mm, Weidmueller, white	
GTIN (EAN)	4050118392104		
Qty.	600 ST		

## WS 12/6.5



### WS/ DEK

MultiMark terminal markers use an innovative composite material made from two components. The hard base contour of the marker snaps securely into the connector. The elastic surface finish makes the marker easy to mount. This specially punched material enables the strips to be stretched to accommodate the slight variations in spacing that tend to add up, especially with long terminal blocks. Another advantage: the excellent printability of the surface material guarantees durable and wear-resistant labelling. A print resolution of 300 dpi also produces a very legible script.

Your benefits with MultiMark

- Firm hold and durable printing
- Continuous strips save installation time
- Easy mounting thanks to an innovative composite material
- Large label field for optimal legibility
- High flexibility thanks to manufacturer independence

## ZT 4/2AN/1 BL

**Weidmüller Interface GmbH & Co. KG**  
 Klingenbergstraße 26  
 D-32758 Detmold  
 Germany

www.weidmueller.com

## Accessories

## General ordering data

Type	WS 12/6.5 MM WS	Version	
Order No.	<a href="#">2619930000</a>	WS, Terminal marker, 12 x 6.5 mm, Weidmueller, white	
GTIN (EAN)	4050118626155		
Qty.	600 ST		

## Slotted screwdriver



VDE insulated screwdriver sets, for working on live parts up to 1000 V AC and 1500 V DC, DIN EN 60900. IEC 900. Each piece is "GS" safety tested. Blade made from fully hardened, high-alloy chromium-vanadium-molybdenum steel, gun-metal finish.

## General ordering data

Type	SDIS SLIM 0.6X3.5X100	Version	
Order No.	<a href="#">2749610000</a>	Mounting tool, Blade width (B): 3.5 mm, Blade length: 100 mm, Blade	
GTIN (EAN)	4050118896350	thickness (A): 0.6 mm	
Qty.	1 ST		