

KLIPPON POK 161609 EX

Weidmüller Interface GmbH & Co. KG
 Klingenbergstraße 26
 D-32758 Detmold
 Germany

www.weidmueller.com



The Klippon® POK enclosure range is made from a high-quality glass fibre reinforced polyester and is ideal for applications and environments where corrosion resistance, impact resistance and a high IP protection class are a requirement.

Key features of the extensive product range:

- Available in 17 sizes
- Two standard finishes (colours): grey (similar to RAL 7001 for industrial use) and black (similar to RAL 9011 for harsh environments, Ex)
- Cover with stainless steel screws in cross-head / slotted design
- Moulded gasket made of silicone or chloroprene
- Fixing holes outside the sealed area to ensure high ingress protection of IP66
- Impact resistance up to 7 Joules
- Mounting directly in the enclosure or using an internal mounting plate
- Direct wall mounting possible using fixing holes or mounting feet
- Fastening thread to attach mounting rails and plates
- Up to E60 fire rating dependent on the configuration
- Weidmüller can manufacture and supply this enclosure to match customer specifications - fitted with all necessary terminals and cable glands.

General ordering data

Version	Klippon POK (polyester empty enclosure), Empty enclosure, Height: 160 mm, Width: 160 mm, Depth: 90 mm, Basic material: Glass fibre-reinforced polyester, untreated, polished, black
Order No.	1306080000
Type	KLIPPON POK 161609 EX
GTIN (EAN)	4050118108477
Qty.	1 items

KLIPPON POK 161609 EX

Weidmüller Interface GmbH & Co. KG
 Klingenbergstraße 26
 D-32758 Detmold
 Germany

www.weidmueller.com

Technical data

Approvals

Approvals



ROHS	Conform
UL File Number Search	UL Website
Certificate no. (cULus)	E256877

Dimensions and weights

Depth	90 mm	Depth (inches)	3.5433 inch
Height	160 mm	Height (inches)	6.2992 inch
Height of lowest version	90 mm	Width	160 mm
Width (inches)	6.2992 inch	Mounting dimension - height	110 mm
Mounting dimension - width	140 mm	Net weight	1313 g

Temperatures

Operating temperature	-55 °C...100 °C
-----------------------	-----------------

Environmental Product Compliance

RoHS Compliance Status	Compliant with exemption
RoHS Exemption (if applicable/known)	6c
REACH SVHC	Lead 7439-92-1
SCIP	afb385d0-c52b-4449-8502-203596817ab0

Cable glands, left

M12	11	M16	6
M32	2	M25	2
M20	4	M40	1

Cable glands, right

M25	2	M16	6
M40	1	M32	2
M20	4	M12	11

Cable glands, top/bottom

M20	6	M12	15
M40	2	M32	2
M25	3	M16	12

Certificate numbers enclosure

Declaration of Conformity No. (DoC LVD)	DE PS2600 160412 001ISS02	Attestation of Conformity No. (AoC)	DE PS2600 160308 001ISS03
Certificate no. Terminal Box (KOSHA)	16-AV4BO-0246X	Certificate no. empty enclosure (INMETRO)	LMP 23.0528U

KLIPPON POK 161609 EX

Weidmüller Interface GmbH & Co. KG
 Klingenbergstraße 26
 D-32758 Detmold
 Germany

www.weidmueller.com

Technical data

Certificate No. (DNV)	TAE00002R2	Certificate no. Terminal Box (AEx)	E223792
Certificate no. Terminal Box (ATEX)	IBExU13ATEX1004 X	Certificate no. empty enclosure (ATEX)	IBExU13ATEX1003 U
Certificate no. Terminal Box (INMETRO)	LMP 21.0021X	Certificate no. Terminal Box (IECEX)	IECEX IBE 13.0004X
Certificate no. empty enclosure (IECEX)	IECEX IBE 13.0003U	Certificate No. (IECEX)	IECEXIBE13.0003U
Certificate No. (ATEX)	IBEXU13ATEX1003U	Certificate no. empty enclosure (AEx)	E223792
Approval conditions	ATEX, DNV, IECEX, LR, RMRS, UL AEx Class Div., UL AEx Class Zone, cULus, KC, CCC, INMETRO	Certificate no. (cULus)	E256877

General information

Material thickness of cover	5.4 mm	Material thickness of enclosure	5.99 mm
Operating temperature, max.	100 °C	Operating temperature, min.	-55 °C
UL 94 flammability rating	V-0	Lid attachment	Slotted/Phillips screws
Standards	DIN EN 62208 - Empty enclosure standard, IEC 60079-0, IEC 60079-7, IEC 60079-31	Surface finish	untreated, polished
Impact resistance	7 J ATEX version	Protection degree	IP66
Basic material	Glass fibre-reinforced polyester	Seal material	Silicone
Torque for lid screws	2.5 Nm	Enclosure attachment	Installation through the housing rear wall, Fixing lugs
Protection class (UL)	Type 4, Type 4X	Number of lid screws	4
Access opening: width	148.02 mm	Required tool	SDK PZ2
Flange plate	No	Lid	Yes
Access opening: height	148.02 mm	Areas of use	Explosive risk zone, Harbour facilities, Machine construction, Process industry, Transportation

horizontal assembly

WDU 10 / ZDU 10	1x9	WDU 16 / ZDU 16	1x7
WDU 2,5 / ZDU 2,5 / IDU 2,5	1x17	WDU 4 / ZDU 4	1x14
WDU 6 / ZDU 6	1x11		

vertical assembly

WDU 2,5 / ZDU 2,5 / IDU 2,5	*	WDU 4 / ZDU 4	*
-----------------------------	---	---------------	---

Classifications

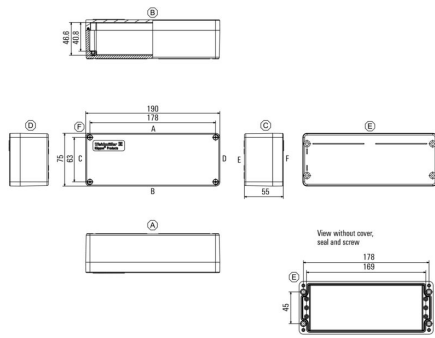
ETIM 8.0	EC002503	ETIM 9.0	EC002503
ETIM 10.0	EC002503	ECLASS 14.0	27-18-05-02
ECLASS 15.0	27-18-05-02		

KLIPPON POK 161609 EX

Weidmüller Interface GmbH & Co. KG
Klingenbergstraße 26
D-32758 Detmold
Germany

Drawings

www.weidmueller.com



KLIPPON POK 161609 EX

Weidmüller Interface GmbH & Co. KG
 Klingenbergstraße 26
 D-32758 Detmold
 Germany

www.weidmueller.com

Accessories

Klippon® POK earthing plates



The Klippon® POK enclosure range is made from a high-quality glass fibre reinforced polyester and is ideal for applications and environments where corrosion resistance, impact resistance and a high IP protection class are a requirement.

Key features of the extensive product range:

- Available in 17 sizes
- Two standard finishes (colours): grey (similar to RAL 7001 for industrial use) and black (similar to RAL 9011 for harsh environments, Ex)
- Cover with stainless steel screws in cross-head / slotted design
- Moulded gasket made of silicone or chloroprene
- Fixing holes outside the sealed area to ensure high ingress protection of IP66
- Impact resistance up to 7 Joules
- Mounting directly in the enclosure or using an internal mounting plate
- Direct wall mounting possible using fixing holes or mounting feet
- Fastening thread to attach mounting rails and plates
- Up to E60 fire rating dependent on the configuration
- Weidmüller can manufacture and supply this enclosure to match customer specifications - fitted with all necessary terminals and cable glands.

General ordering data

Type	KLIPPON COPL 161609	Version	
Order No.	1390990000		Klippon POK (polyester empty enclosure), Earthing plate,
GTIN (EAN)	4050118191097		Miscellaneous, Height: 60.5 mm, Width: 239 mm, Depth: 0.8 mm,
Qty.	5 ST		Basic material: Brass, polished, untreated

KLIPPON POK 161609 EX

Weidmüller Interface GmbH & Co. KG
 Klingenbergstraße 26
 D-32758 Detmold
 Germany

Accessories

www.weidmueller.com

Klippon® POK installation material



The Klippon® POK enclosure range is made from a high-quality glass fibre reinforced polyester and is ideal for applications and environments where corrosion resistance, impact resistance and a high IP protection class are a requirement.

Key features of the extensive product range:

- Available in 17 sizes
- Two standard finishes (colours): grey (similar to RAL 7001 for industrial use) and black (similar to RAL 9011 for harsh environments, Ex)
- Cover with stainless steel screws in cross-head / slotted design
- Moulded gasket made of silicone or chloroprene
- Fixing holes outside the sealed area to ensure high ingress protection of IP66
- Impact resistance up to 7 Joules
- Mounting directly in the enclosure or using an internal mounting plate
- Direct wall mounting possible using fixing holes or mounting feet
- Fastening thread to attach mounting rails and plates
- Up to E60 fire rating dependent on the configuration
- Weidmüller can manufacture and supply this enclosure to match customer specifications - fitted with all necessary terminals and cable glands.

General ordering data

Type	TPSD FIXING SET POK	Version
Order No.	1435840000	Klippon POK (polyester empty enclosure), Type plate fixings set,
GTIN (EAN)	4050118240771	Height: 12 mm, Width: 12 mm, Depth: 15.06 mm, Basic material:
Qty.	1 ST	Stainless steel, rust-proof, untreated
Type	SD FIXING SET POK	Version
Order No.	1463490000	Klippon POK (polyester empty enclosure), Identification plate fixing
GTIN (EAN)	4050118299878	set, Height: 12 mm, Width: 12 mm, Depth: 16.4 mm, Basic material:
Qty.	1 ST	Stainless steel 1.4305 (303), untreated

KLIPPON POK 161609 EX

Weidmüller Interface GmbH & Co. KG

Klingenbergstraße 26
D-32758 Detmold
Germany

www.weidmueller.com

Accessories

Klippon® POK standard mounting plates



The Klippon® POK enclosure range is made from a high-quality glass fibre reinforced polyester and is ideal for applications and environments where corrosion resistance, impact resistance and a high IP protection class are a requirement.

Key features of the extensive product range:

- Available in 17 sizes
- Two standard finishes (colours): grey (similar to RAL 7001 for industrial use) and black (similar to RAL 9011 for harsh environments, Ex)
- Cover with stainless steel screws in cross-head / slotted design
- Moulded gasket made of silicone or chloroprene
- Fixing holes outside the sealed area to ensure high ingress protection of IP66
- Impact resistance up to 7 Joules
- Mounting directly in the enclosure or using an internal mounting plate
- Direct wall mounting possible using fixing holes or mounting feet
- Fastening thread to attach mounting rails and plates
- Up to E60 fire rating dependent on the configuration
- Weidmüller can manufacture and supply this enclosure to match customer specifications - fitted with all necessary terminals and cable glands.

General ordering data

Type	POK MOPL 1616	Version
Order No.	9510610000	Klippon POK (polyester empty enclosure), Mounting plate, Height:
GTIN (EAN)	4008190498245	143 mm, Width: 145 mm, Depth: 1.5 mm, Basic material: Sheet
Qty.	1 ST	steel, galvanized, Miscellaneous, silver

Depth 7.5 mm



The system accessories for the Klippon® K enclosure series allows you to easily adapt the enclosures to meet the specific requirements of every application.

- DIN Rails TS 35 and TS15
- Mounting plates
- Hinges
- Wall-mounted holder

Weidmüller can manufacture and supply this enclosure - according to customer specifications - fitted with all necessary terminals and cable glands.

General ordering data

Type	TS35X7.5 ST K52	Version
Order No.	8000003908	Rail, TS 35, TS 35 x 7.5, Width: 140 mm, without slot, Steel, galvanic
GTIN (EAN)	4050118652659	zinc plated and passivated
Qty.	20 ST	

KLIPPON POK 161609 EX

Weidmüller Interface GmbH & Co. KG
 Klingenbergstraße 26
 D-32758 Detmold
 Germany

www.weidmueller.com

Accessories

Earthing stud



Earthing bolts to exchange as a complete component in two versions – brass and stainless steel.

General ordering data

Type	PEBZ M10 BR SET	Version
Order No.	1277220000	Klippon POK (polyester empty enclosure), Earthing stud,
GTIN (EAN)	4050118067019	Miscellaneous, Height: 21 mm, Width: 21 mm, Depth: 48.7 mm,
Qty.	1 ST	Basic material: Brass

Klippon® POK earthing stud



The Klippon® POK enclosure range is made from a high-quality glass fibre reinforced polyester and is ideal for applications and environments where corrosion resistance, impact resistance and a high IP protection class are a requirement.

Key features of the extensive product range:

- Available in 17 sizes
- Two standard finishes (colours): grey (similar to RAL 7001 for industrial use) and black (similar to RAL 9011 for harsh environments, Ex)
- Cover with stainless steel screws in cross-head / slotted design
- Moulded gasket made of silicone or chloroprene
- Fixing holes outside the sealed area to ensure high ingress protection of IP66
- Impact resistance up to 7 Joules
- Mounting directly in the enclosure or using an internal mounting plate
- Direct wall mounting possible using fixing holes or mounting feet
- Fastening thread to attach mounting rails and plates
- Up to E60 fire rating dependent on the configuration
- Weidmüller can manufacture and supply this enclosure to match customer specifications - fitted with all necessary terminals and cable glands.

General ordering data

Type	PEBZ M10 S4 SET	Version
Order No.	1283440000	Klippon POK (polyester empty enclosure), Earthing stud,
GTIN (EAN)	4050118073362	Miscellaneous, Height: 21 mm, Width: 21 mm, Depth: 48.7 mm,
Qty.	1 ST	Basic material: Stainless steel 1.4404 (316L)
Type	PEBZ M6 BR SET	Version
Order No.	1277250000	Klippon POK (polyester empty enclosure), Earthing stud,
GTIN (EAN)	4050118067149	Miscellaneous, Height: 12.3 mm, Width: 12.3 mm, Depth: 42 mm,
Qty.	1 ST	Basic material: Brass

KLIPPON POK 161609 EX

Weidmüller Interface GmbH & Co. KG
Klingenbergstraße 26
D-32758 Detmold
Germany

www.weidmueller.com

Accessories

Earthing stud

Accessories



General ordering data

Type	PEBZ M6 S4 SET	Version	
Order No.	1283430000	Klippon POK (polyester empty enclosure), Earthing stud,	
GTIN (EAN)	4050118073607	Miscellaneous, Height: 12.3 mm, Width: 12.3 mm, Depth: 42 mm,	
Qty.	1 ST	Basic material: Stainless steel 1.4404 (316L)	

Spacer

Stainless steel spacers in three lengths to increase the distance between the mounting rails or DIN rails and the rear wall of the enclosure.



General ordering data

Type	SP M6 15 MSZN	Version	
Order No.	3896100000	Klippon EB (Essential Box), Spacer, Height: 11.2 mm, Width: 10 mm,	
GTIN (EAN)	4008190857851	Depth: 15 mm, Basic material: Steel, silver	
Qty.	2 ST		
Type	SP M6 20 MSZN	Version	
Order No.	3896200000	Klippon EB (Essential Box), Spacer, Height: 11.2 mm, Width: 10 mm,	
GTIN (EAN)	4008190850234	Depth: 20 mm, Basic material: Steel, silver	
Qty.	2 ST		
Type	SP M6 30 MSZN	Version	
Order No.	3896300000	Klippon EB (Essential Box), Spacer, Height: 11.2 mm, Width: 10 mm,	
GTIN (EAN)	4008190850241	Depth: 30 mm, Basic material: Steel, silver	
Qty.	2 ST		
Type	SP M6 15 S2	Version	
Order No.	0935120000	Klippon TB (Terminal Box), Spacer, Height: 11.2 mm, Width: 10 mm,	
GTIN (EAN)	4032248699056	Depth: 15 mm, Basic material: Stainless steel 1.4305 (303), silver	
Qty.	4 ST		
Type	SP M6 10 S2	Version	
Order No.	0935110000	Klippon TB (Terminal Box), Spacer, Height: 11.2 mm, Width: 10 mm,	
GTIN (EAN)	4032248699049	Depth: 10 mm, Basic material: Stainless steel 1.4305 (303), silver	
Qty.	4 ST		

KLIPPON POK 161609 EX

Weidmüller Interface GmbH & Co. KG
 Klingenbergstraße 26
 D-32758 Detmold
 Germany

www.weidmueller.com

Accessories

Type	SP M6 20 S2	Version
Order No.	0935130000	Klippon TB (Terminal Box), Spacer, Height: 11.2 mm, Width: 10 mm,
GTIN (EAN)	4032248699001	Depth: 20 mm, Basic material: Stainless steel 1.4305 (303), silver
Qty.	4 ST	
Type	SP M6 30 S2	Version
Order No.	0935140000	Klippon TB (Terminal Box), Spacer, Height: 11.2 mm, Width: 10 mm,
GTIN (EAN)	4032248699117	Depth: 30 mm, Basic material: Stainless steel 1.4305 (303), silver
Qty.	4 ST	

Installation material



Integrate, expand and customise - the perfect supplement to every application

The fully structured range of system accessories for the new Klippon® TB enclosure series allows you to easily adapt the enclosures to meet the specific requirements of every application.

Mounting hardware kits

Mounting hardware kits are available for quick and easy installation of type label holders, document holders and rain hoods.

The label fastening set – SD is required to install a plastic (Trafolyte) ID or type label. With the aid of this set can you mount the ID or type label directly on the enclosure cover. The label fastening set has been specially developed for this purpose. Only by using this fastening set can you ensure that there will be no leaks into the enclosure or damage to the label.

The universal fastening set – TPSD has been developed to enable secure and quick installation of type label holders, rain covers or document holders, for example. By using this fastening set, the risk of leaks can be minimised, if not avoided.

General ordering data

Type	FKSC M6X8 D9/SW3	Version
Order No.	0642600000	Klippon TB (Terminal Box), Mounting screw, Basic material: Steel
GTIN (EAN)	4008190058258	
Qty.	50 ST	

Mounting support



We offer a broad portfolio of mounting support for easy handling and supplementation of our products. From various tools to insulating sleeves and various screws, our components are matched to each other down to the last detail and thus facilitate assembly in compliance with the respective standards and protective regulations.

KLIPPON POK 161609 EX

Weidmüller Interface GmbH & Co. KG
 Klingenbergstraße 26
 D-32758 Detmold
 Germany

www.weidmueller.com

Accessories

General ordering data

Type	FKSC M5X8 D9/SW2.5	Version	
Order No.	0295900000	SAK Series, Allen hex screw, Screws, Number of poles: 1	
GTIN (EAN)	4008190133337		
Qty.	50 ST		

Depth 15 mm



The Klippon® POK enclosure range is made from a high-quality glass fibre reinforced polyester and is ideal for applications and environments where corrosion resistance, impact resistance and a high IP protection class are a requirement.

Key features of the extensive product range:

- Available in 17 sizes
- Two standard finishes (colours): grey (similar to RAL 7001 for industrial use) and black (similar to RAL 9011 for harsh environments, Ex)
- Cover with stainless steel screws in cross-head / slotted design
- Moulded gasket made of silicone or chloroprene
- Fixing holes outside the sealed area to ensure high ingress protection of IP66
- Impact resistance up to 7 Joules
- Mounting directly in the enclosure or using an internal mounting plate
- Direct wall mounting possible using fixing holes or mounting feet
- Fastening thread to attach mounting rails and plates
- Up to E60 fire rating dependent on the configuration
- Weidmüller can manufacture and supply this enclosure to match customer specifications - fitted with all necessary terminals and cable glands.

General ordering data

Type	TS35X15 ST POK 1616	Version	
Order No.	8000073210	Rail, TS 35, TS 35 x 15, with slot, Steel, galvanic zinc plated and	
GTIN (EAN)	4064675356578	passivated	
Qty.	20 ST		