

## KLIPPON POK 162609

**Weidmüller Interface GmbH & Co. KG**

Klingenbergstraße 26

D-32758 Detmold

Germany

[www.weidmueller.com](http://www.weidmueller.com)



The Klippon® POK enclosure range is made from a high-quality glass fibre reinforced polyester and is ideal for applications and environments where corrosion resistance, impact resistance and a high IP protection class are a requirement.

Key features of the extensive product range:

- Available in 17 sizes
- Two standard finishes (colours): grey (similar to RAL 7001 for industrial use) and black (similar to RAL 9011 for harsh environments, Ex)
- Cover with stainless steel screws in cross-head / slotted design
- Moulded gasket made of silicone or chloroprene
- Fixing holes outside the sealed area to ensure high ingress protection of IP66
- Impact resistance up to 7 Joules
- Mounting directly in the enclosure or using an internal mounting plate
- Direct wall mounting possible using fixing holes or mounting feet
- Fastening thread to attach mounting rails and plates
- Up to E60 fire rating dependent on the configuration
- Weidmüller can manufacture and supply this enclosure to match customer specifications - fitted with all necessary terminals and cable glands.

### General ordering data

Version	Klippon POK (polyester empty enclosure), Empty enclosure, Height: 160 mm, Width: 260 mm, Depth: 90 mm, Basic material: Glass fibre-reinforced polyester, untreated, polished, Silver grey
Order No.	<a href="#">1305900000</a>
Type	KLIPPON POK 162609
GTIN (EAN)	4050118108309
Qty.	1 items

## KLIPPON POK 162609

**Weidmüller Interface GmbH & Co. KG**  
 Klingenbergstraße 26  
 D-32758 Detmold  
 Germany

www.weidmueller.com

## Technical data

### Approvals

Approvals



ROHS Conform

UL File Number Search [UL Website](#)

Certificate no. (cULus) E256877

### Dimensions and weights

Depth	90 mm	Depth (inches)	3.5433 inch
Height	160 mm	Height (inches)	6.2992 inch
Height of lowest version	90 mm	Width	260 mm
Width (inches)	10.2362 inch	Mounting dimension - height	110 mm
Mounting dimension - width	240 mm	Net weight	1756 g

### Temperatures

Operating temperature -40 °C...100 °C

### Environmental Product Compliance

RoHS Compliance Status	Compliant with exemption
RoHS Exemption (if applicable/known)	6c
REACH SVHC	Lead 7439-92-1
SCIP	afb385d0-c52b-4449-8502-203596817ab0

### Cable glands, left

M12	11	M16	6
M32	2	M25	2
M20	4	M40	1

### Cable glands, right

M25	2	M16	6
M40	1	M32	2
M20	4	M12	11

### Cable glands, top/bottom

M20	14	M12	30
M40	3	M32	4
M25	5	M16	24

### Certificate numbers enclosure

Declaration of Conformatiy No. (DoC LVD)	DE PS2401 160412 001ISS02	Certificate No. (DNV)	TAE00002R2
Approval conditions	cULus, LR, DNV	Certificate no. (cULus)	E256877

### General information

Material thickness of cover	5 mm	Material thickness of enclosure	5.99 mm
Operating temperature, max.	100 °C	Operating temperature, min.	-40 °C

## KLIPPON POK 162609

**Weidmüller Interface GmbH & Co. KG**  
 Klingenbergstraße 26  
 D-32758 Detmold  
 Germany

www.weidmueller.com

### Technical data

UL 94 flammability rating	V-0	Lid attachment	Slotted/Phillips screws
Standards	DIN EN 62208 - Empty enclosure standard, DIN 4102-12	Surface finish	untreated, polished
Impact resistance	5 J version standard	Protection degree	IP66
Basic material	Glass fibre-reinforced polyester	Seal material	Chloroprene
Torque for lid screws	2.5 Nm	Enclosure attachment	Installation through the housing rear wall, Fixing lugs
Protection class (UL)	Type 4, Type 4X	Number of lid screws	4
Access opening: width	248.02 mm	Required tool	<a href="#">SDK PZ2</a>
Flange plate	No	Max. payload	16.64 kg
Lid	Yes	Access opening: height	148.02 mm
Areas of use	Harbour facilities, Machine construction, Process industry, Transportation		

#### horizontal assembly

WDU 10 / ZDU 10	1x16	WDU 16 / ZDU 16	1x16
WDU 2,5 / ZDU 2,5 / IDU 2,5	1x36	WDU 4 / ZDU 4	1x30
WDU 6 / ZDU 6	1x23		

#### vertical assembly

WDU 2,5 / ZDU 2,5 / IDU 2,5	*	WDU 4 / ZDU 4	*
-----------------------------	---	---------------	---

#### Important note

Product information      The fire rating up to E60 acc. to DIN 4102-12 depends on concrete configurations / installations (details see "Declaration of Manufacturer" in "Downloads")

#### Classifications

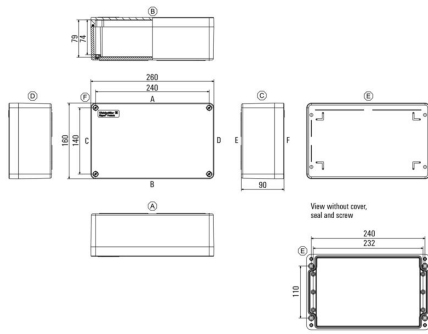
ETIM 8.0	EC000261	ETIM 9.0	EC000261
ETIM 10.0	EC000261	ECLASS 14.0	27-18-01-01
ECLASS 15.0	27-18-01-01		

KLIPPON POK 162609

Weidmüller Interface GmbH & Co. KG  
Klingenbergstraße 26  
D-32758 Detmold  
Germany

Drawings

[www.weidmueller.com](http://www.weidmueller.com)



## KLIPPON POK 162609

**Weidmüller Interface GmbH & Co. KG**  
 Klingenbergstraße 26  
 D-32758 Detmold  
 Germany

[www.weidmueller.com](http://www.weidmueller.com)

## Accessories

### Klippon® POK earthing plates



The Klippon® POK enclosure range is made from a high-quality glass fibre reinforced polyester and is ideal for applications and environments where corrosion resistance, impact resistance and a high IP protection class are a requirement.

Key features of the extensive product range:

- Available in 17 sizes
- Two standard finishes (colours): grey (similar to RAL 7001 for industrial use) and black (similar to RAL 9011 for harsh environments, Ex)
- Cover with stainless steel screws in cross-head / slotted design
- Moulded gasket made of silicone or chloroprene
- Fixing holes outside the sealed area to ensure high ingress protection of IP66
- Impact resistance up to 7 Joules
- Mounting directly in the enclosure or using an internal mounting plate
- Direct wall mounting possible using fixing holes or mounting feet
- Fastening thread to attach mounting rails and plates
- Up to E60 fire rating dependent on the configuration
- Weidmüller can manufacture and supply this enclosure to match customer specifications - fitted with all necessary terminals and cable glands.

### General ordering data

Type	KLIPPON COPL 162609	Version	
Order No.	<a href="#">1391000000</a>		Klippon POK (polyester empty enclosure), Earthing plate,
GTIN (EAN)	4050118191318		Miscellaneous, Height: 60.5 mm, Width: 339 mm, Depth: 0.8 mm,
Qty.	5 ST		Basic material: Brass, polished, untreated

## KLIPPON POK 162609

**Weidmüller Interface GmbH & Co. KG**  
 Klingenbergstraße 26  
 D-32758 Detmold  
 Germany

## Accessories

www.weidmueller.com

### Klippon® POK installation material



The Klippon® POK enclosure range is made from a high-quality glass fibre reinforced polyester and is ideal for applications and environments where corrosion resistance, impact resistance and a high IP protection class are a requirement.

Key features of the extensive product range:

- Available in 17 sizes
- Two standard finishes (colours): grey (similar to RAL 7001 for industrial use) and black (similar to RAL 9011 for harsh environments, Ex)
- Cover with stainless steel screws in cross-head / slotted design
- Moulded gasket made of silicone or chloroprene
- Fixing holes outside the sealed area to ensure high ingress protection of IP66
- Impact resistance up to 7 Joules
- Mounting directly in the enclosure or using an internal mounting plate
- Direct wall mounting possible using fixing holes or mounting feet
- Fastening thread to attach mounting rails and plates
- Up to E60 fire rating dependent on the configuration
- Weidmüller can manufacture and supply this enclosure to match customer specifications - fitted with all necessary terminals and cable glands.

### General ordering data

Type	SD FIXING SET POK	Version
Order No.	<a href="#">1463490000</a>	Klippon POK (polyester empty enclosure), Identification plate fixing set, Height: 12 mm, Width: 12 mm, Depth: 16.4 mm, Basic material:
GTIN (EAN)	4050118299878	Stainless steel 1.4305 (303), untreated
Qty.	1 ST	

## KLIPPON POK 162609

**Weidmüller Interface GmbH & Co. KG**  
 Klingenbergstraße 26  
 D-32758 Detmold  
 Germany

www.weidmueller.com

## Accessories

### Klippon® POK standard mounting plates



The Klippon® POK enclosure range is made from a high-quality glass fibre reinforced polyester and is ideal for applications and environments where corrosion resistance, impact resistance and a high IP protection class are a requirement.

Key features of the extensive product range:

- Available in 17 sizes
- Two standard finishes (colours): grey (similar to RAL 7001 for industrial use) and black (similar to RAL 9011 for harsh environments, Ex)
- Cover with stainless steel screws in cross-head / slotted design
- Moulded gasket made of silicone or chloroprene
- Fixing holes outside the sealed area to ensure high ingress protection of IP66
- Impact resistance up to 7 Joules
- Mounting directly in the enclosure or using an internal mounting plate
- Direct wall mounting possible using fixing holes or mounting feet
- Fastening thread to attach mounting rails and plates
- Up to E60 fire rating dependent on the configuration
- Weidmüller can manufacture and supply this enclosure to match customer specifications - fitted with all necessary terminals and cable glands.

### General ordering data

Type	POK MOPL 1626	Version
Order No.	<a href="#">9510620000</a>	Klippon POK (polyester empty enclosure), Mounting plate, Height:
GTIN (EAN)	4008190498252	143 mm, Width: 245 mm, Depth: 1.5 mm, Basic material: Sheet
Qty.	1 ST	steel, galvanized, Miscellaneous, silver

## KLIPPON POK 162609

**Weidmüller Interface GmbH & Co. KG**  
 Klingenbergstraße 26  
 D-32758 Detmold  
 Germany

[www.weidmueller.com](http://www.weidmueller.com)

## Accessories

### Klippon® POK mounting plates in combination with earthing plates



The Klippon® POK enclosure range is made from a high-quality glass fibre reinforced polyester and is ideal for applications and environments where corrosion resistance, impact resistance and a high IP protection class are a requirement.

Key features of the extensive product range:

- Available in 17 sizes
- Two standard finishes (colours): grey (similar to RAL 7001 for industrial use) and black (similar to RAL 9011 for harsh environments, Ex)
- Cover with stainless steel screws in cross-head / slotted design
- Moulded gasket made of silicone or chloroprene
- Fixing holes outside the sealed area to ensure high ingress protection of IP66
- Impact resistance up to 7 Joules
- Mounting directly in the enclosure or using an internal mounting plate
- Direct wall mounting possible using fixing holes or mounting feet
- Fastening thread to attach mounting rails and plates
- Up to E60 fire rating dependent on the configuration
- Weidmüller can manufacture and supply this enclosure to match customer specifications - fitted with all necessary terminals and cable glands.

### General ordering data

Type	POK MOPL 1626 MINI	Version
Order No.	<a href="#">1534370000</a>	Klippon POK (polyester empty enclosure), Mounting plate, Height:
GTIN (EAN)	4050118338157	113 mm, Width: 243.5 mm, Depth: 1.5 mm, Basic material: Sheet
Qty.	1 ST	steel, galvanized, galvanized, silver

## KLIPPON POK 162609

**Weidmüller Interface GmbH & Co. KG**  
 Klingenbergstraße 26  
 D-32758 Detmold  
 Germany

www.weidmueller.com

## Accessories

### Depth 7.5 mm



The Klippon® POK enclosure range is made from a high-quality glass fibre reinforced polyester and is ideal for applications and environments where corrosion resistance, impact resistance and a high IP protection class are a requirement.

Key features of the extensive product range:

- Available in 17 sizes
- Two standard finishes (colours): grey (similar to RAL 7001 for industrial use) and black (similar to RAL 9011 for harsh environments, Ex)
- Cover with stainless steel screws in cross-head / slotted design
- Moulded gasket made of silicone or chloroprene
- Fixing holes outside the sealed area to ensure high ingress protection of IP66
- Impact resistance up to 7 Joules
- Mounting directly in the enclosure or using an internal mounting plate
- Direct wall mounting possible using fixing holes or mounting feet
- Fastening thread to attach mounting rails and plates
- Up to E60 fire rating dependent on the configuration
- Weidmüller can manufacture and supply this enclosure to match customer specifications - fitted with all necessary terminals and cable glands.

### General ordering data

Type	TS35X7.5 ST POK 1626	Version
Order No.	<a href="#">8000003909</a>	Rail, TS 35, TS 35 x 7.5, Width: 243 mm, without slot, Steel, galvanic
GTIN (EAN)	4050118652673	zinc plated and passivated
Qty.	20 ST	

### Earthing stud



Earthing bolts to exchange as a complete component in two versions – brass and stainless steel.

### General ordering data

Type	PEBZ M10 BR SET	Version
Order No.	<a href="#">1277220000</a>	Klippon POK (polyester empty enclosure), Earthing stud,
GTIN (EAN)	4050118067019	Miscellaneous, Height: 21 mm, Width: 21 mm, Depth: 48.7 mm,
Qty.	1 ST	Basic material: Brass
Type	PEBZ M10 S4 SET	Version
Order No.	<a href="#">1283440000</a>	Klippon POK (polyester empty enclosure), Earthing stud,
GTIN (EAN)	4050118073362	Miscellaneous, Height: 21 mm, Width: 21 mm, Depth: 48.7 mm,
Qty.	1 ST	Basic material: Stainless steel 1.4404 (316L)

## KLIPPON POK 162609

**Weidmüller Interface GmbH & Co. KG**  
 Klingenbergstraße 26  
 D-32758 Detmold  
 Germany

www.weidmueller.com

## Accessories

### Klippon® POK earthing stud



The Klippon® POK enclosure range is made from a high-quality glass fibre reinforced polyester and is ideal for applications and environments where corrosion resistance, impact resistance and a high IP protection class are a requirement.

Key features of the extensive product range:

- Available in 17 sizes
- Two standard finishes (colours): grey (similar to RAL 7001 for industrial use) and black (similar to RAL 9011 for harsh environments, Ex)
- Cover with stainless steel screws in cross-head / slotted design
- Moulded gasket made of silicone or chloroprene
- Fixing holes outside the sealed area to ensure high ingress protection of IP66
- Impact resistance up to 7 Joules
- Mounting directly in the enclosure or using an internal mounting plate
- Direct wall mounting possible using fixing holes or mounting feet
- Fastening thread to attach mounting rails and plates
- Up to E60 fire rating dependent on the configuration
- Weidmüller can manufacture and supply this enclosure to match customer specifications - fitted with all necessary terminals and cable glands.

### General ordering data

Type	PEBZ M6 BR SET	Version
Order No.	<a href="#">1277250000</a>	Klippon POK (polyester empty enclosure), Earthing stud,
GTIN (EAN)	4050118067149	Miscellaneous, Height: 12.3 mm, Width: 12.3 mm, Depth: 42 mm,
Qty.	1 ST	Basic material: Brass

### Earthing stud



Earthing bolts to exchange as a complete component in two versions – brass and stainless steel.

### General ordering data

Type	PEBZ M6 S4 SET	Version
Order No.	<a href="#">1283430000</a>	Klippon POK (polyester empty enclosure), Earthing stud,
GTIN (EAN)	4050118073607	Miscellaneous, Height: 12.3 mm, Width: 12.3 mm, Depth: 42 mm,
Qty.	1 ST	Basic material: Stainless steel 1.4404 (316L)

**KLIPPON POK 162609**

**Weidmüller Interface GmbH & Co. KG**  
 Klingenbergstraße 26  
 D-32758 Detmold  
 Germany

www.weidmueller.com

**Accessories**

**Ventilation plugs - DAE**



In addition to cable glands for a wide range of applications, the product portfolio is rounded off by plugs, pressure compensation elements, adaptors and the corresponding accessories such as locknuts, sealing rings, flat washers and earthing rings.

**General ordering data**

Type	DAE M12 PA LONG	Version
Order No.	<a href="#">1868570000</a>	DAE (ventilation element), Compensating element, straight, M 12, 10 mm, IP66, IP68, IP69K, Polyamide 6
GTIN (EAN)	4032248440429	
Qty.	10 ST	
Type	DAE M12 SS	Version
Order No.	<a href="#">1868550000</a>	DAE (ventilation element), Compensating element, straight, M 12, 10 mm, IP66, IP68, IP69K, Stainless steel 1.4305 (303)
GTIN (EAN)	4032248440405	
Qty.	10 ST	

**Spacer**



Stainless steel spacers in three lengths to increase the distance between the mounting rails or DIN rails and the rear wall of the enclosure.

**General ordering data**

Type	SP M6 15 MSZN	Version
Order No.	<a href="#">3896100000</a>	Klippon EB (Essential Box), Spacer, Height: 11.2 mm, Width: 10 mm, Depth: 15 mm, Basic material: Steel, silver
GTIN (EAN)	4008190857851	
Qty.	2 ST	
Type	SP M6 20 MSZN	Version
Order No.	<a href="#">3896200000</a>	Klippon EB (Essential Box), Spacer, Height: 11.2 mm, Width: 10 mm, Depth: 20 mm, Basic material: Steel, silver
GTIN (EAN)	4008190850234	
Qty.	2 ST	
Type	SP M6 30 MSZN	Version
Order No.	<a href="#">3896300000</a>	Klippon EB (Essential Box), Spacer, Height: 11.2 mm, Width: 10 mm, Depth: 30 mm, Basic material: Steel, silver
GTIN (EAN)	4008190850241	
Qty.	2 ST	
Type	SP M6 15 S2	Version
Order No.	<a href="#">0935120000</a>	Klippon TB (Terminal Box), Spacer, Height: 11.2 mm, Width: 10 mm, Depth: 15 mm, Basic material: Stainless steel 1.4305 (303), silver
GTIN (EAN)	4032248699056	
Qty.	4 ST	

## KLIPPON POK 162609

**Weidmüller Interface GmbH & Co. KG**

Klingenbergstraße 26  
D-32758 Detmold  
Germany

www.weidmueller.com

## Accessories

Type	SP M6 10 S2	Version
Order No.	<a href="#">0935110000</a>	Klippon TB (Terminal Box), Spacer, Height: 11.2 mm, Width: 10 mm,
GTIN (EAN)	4032248699049	Depth: 10 mm, Basic material: Stainless steel 1.4305 (303), silver
Qty.	4 ST	
Type	SP M6 20 S2	Version
Order No.	<a href="#">0935130000</a>	Klippon TB (Terminal Box), Spacer, Height: 11.2 mm, Width: 10 mm,
GTIN (EAN)	4032248699001	Depth: 20 mm, Basic material: Stainless steel 1.4305 (303), silver
Qty.	4 ST	
Type	SP M6 30 S2	Version
Order No.	<a href="#">0935140000</a>	Klippon TB (Terminal Box), Spacer, Height: 11.2 mm, Width: 10 mm,
GTIN (EAN)	4032248699117	Depth: 30 mm, Basic material: Stainless steel 1.4305 (303), silver
Qty.	4 ST	

## Installation material



Integrate, expand and customise - the perfect supplement to every application

The fully structured range of system accessories for the new Klippon® TB enclosure series allows you to easily adapt the enclosures to meet the specific requirements of every application.

**Mounting hardware kits**

Mounting hardware kits are available for quick and easy installation of type label holders, document holders and rain hoods.

The label fastening set – SD is required to install a plastic (Trafolyte) ID or type label. With the aid of this set can you mount the ID or type label directly on the enclosure cover. The label fastening set has been specially developed for this purpose. Only by using this fastening set can you ensure that there will be no leaks into the enclosure or damage to the label.

The universal fastening set – TPSD has been developed to enable secure and quick installation of type label holders, rain covers or document holders, for example. By using this fastening set, the risk of leaks can be minimised, if not avoided.

## General ordering data

Type	FKSC M6X8 D9/SW3	Version
Order No.	<a href="#">0642600000</a>	Klippon TB (Terminal Box), Mounting screw, Basic material: Steel
GTIN (EAN)	4008190058258	
Qty.	50 ST	

## KLIPPON POK 162609

**Weidmüller Interface GmbH & Co. KG**  
 Klingenbergstraße 26  
 D-32758 Detmold  
 Germany

www.weidmueller.com

## Accessories

### Depth 15 mm



The Klippon® POK enclosure range is made from a high-quality glass fibre reinforced polyester and is ideal for applications and environments where corrosion resistance, impact resistance and a high IP protection class are a requirement.

Key features of the extensive product range:

- Available in 17 sizes
- Two standard finishes (colours): grey (similar to RAL 7001 for industrial use) and black (similar to RAL 9011 for harsh environments, Ex)
- Cover with stainless steel screws in cross-head / slotted design
- Moulded gasket made of silicone or chloroprene
- Fixing holes outside the sealed area to ensure high ingress protection of IP66
- Impact resistance up to 7 Joules
- Mounting directly in the enclosure or using an internal mounting plate
- Direct wall mounting possible using fixing holes or mounting feet
- Fastening thread to attach mounting rails and plates
- Up to E60 fire rating dependent on the configuration
- Weidmüller can manufacture and supply this enclosure to match customer specifications - fitted with all necessary terminals and cable glands.

### General ordering data

Type	TS35X15 ST POK 1626	Version	
Order No.	<a href="#">8000073211</a>	Rail, TS 35, TS 35 x 15, with slot, Steel, galvanic zinc plated and	
GTIN (EAN)	4064675356585	passivated	
Qty.	20 ST		