

**IE-AD-BHS-V14M-RJA**

**Weidmüller Interface GmbH & Co. KG**  
Klingenbergstraße 26  
D-32758 Detmold  
Germany

www.weidmueller.com



PushPull plug-in connector according to IEC  
61076-3-117 ver.14 (PROFINET), metal, empty housing

**General ordering data**

Version	Adapter
Order No.	<a href="#">1302000000</a>
Type	IE-AD-BHS-V14M-RJA
GTIN (EAN)	4050118099638
Qty.	1 items

**IE-AD-BHS-V14M-RJA**

**Weidmüller Interface GmbH & Co. KG**  
 Klingenbergstraße 26  
 D-32758 Detmold  
 Germany

www.weidmueller.com

**Technical data**

**Approvals**

Approvals



ROHS	Conform
UL File Number Search	<a href="#">UL Website</a>
Certificate no. (cULus)	E316369

**Dimensions and weights**

Depth	25.7 mm	Depth (inches)	1.0118 inch
Height	42 mm	Height (inches)	1.6535 inch
Width	24.2 mm	Width (inches)	0.9528 inch
Net weight	61.53 g		

**Temperatures**

Storage temperature	Operating temperature	-40 °C...70 °C
Installation temperature		

**Environmental Product Compliance**

RoHS Compliance Status	Compliant without exemption
REACH SVHC	No SVHC above 0.1 wt%

**General data**

Colour	Miscellaneous	Housing main material	Zinc diecast
Type of mounting	2 screws, M3 (not included)	Protection degree	IP67

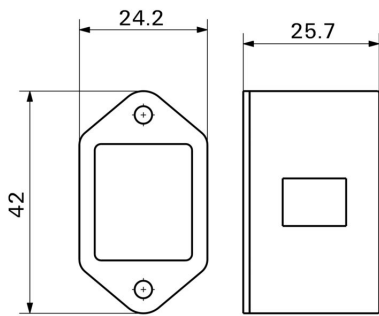
**General standards**

Certificate no. (cULus)	E316369
-------------------------	---------

**Classifications**

ETIM 8.0	EC001121	ETIM 9.0	EC001121
ETIM 10.0	EC001121	ECLASS 14.0	27-44-03-90
ECLASS 15.0	27-44-03-90		

**Installation cut-out**



**Dimensioned drawing**

