

SAIE-7/8B-5-0.2U-PG13.5

Weidmüller Interface GmbH & Co. KG
Klingenbergstraße 26
D-32758 Detmold
Germany

www.weidmueller.com

Similar to illustration



Various build-in connectors are required for the connections on the device side of the sensor/actuator cabling. These are available in the versions M12, M8 and M5.

General ordering data

| | |
|------------|---|
| Version | Built-in plugs, 7/8", Female socket, straight, Mounting thread: PG 13.5, Number of poles: 5, Strand / cable length: 0.2 m |
| Order No. | 1292510000 |
| Type | SAIE-7/8B-5-0.2U-PG13.5 |
| GTIN (EAN) | 4050118088281 |
| Qty. | 1 items |

SAIE-7/8B-5-0.2U-PG13.5

Weidmüller Interface GmbH & Co. KG
Klingenbergstraße 26
D-32758 Detmold
Germany

www.weidmueller.com

Technical data

Approvals

Approvals



| | |
|-------------------------|----------------------------|
| ROHS | Conform |
| UL File Number Search | UL Website |
| Certificate No. (cURus) | E307231 |

Dimensions and weights

| | |
|------------|---------|
| Net weight | 45.77 g |
|------------|---------|

Environmental Product Compliance

| | |
|--------------------------------------|--------------------------------------|
| RoHS Compliance Status | Compliant with exemption |
| RoHS Exemption (if applicable/known) | 6c |
| REACH SVHC | Lead 7439-92-1 |
| SCIP | 7baf363e-d867-435e-844e-c01f32ebf146 |

Technical specifications for cable

| | | | |
|--------------------|---|-----------------------|-------|
| Core cross-section | 0.75 mm ² | Strand / cable length | 0.2 m |
| Colour coding | black, blue, Green/yellow, brown, white | Number of poles | 5 |

Technical data customisable plug-in connectors

| | | | |
|------------------------------|-----------------------------|--------------------|------------------------------------|
| Number of poles | 5 | Coding | none |
| Contact surface | Gold-plated | Type of connection | Socket connector |
| Housing main material | Zinc diecast, nickel-plated | Contact material | CuZn |
| Nominal voltage | 300 V | Nominal current | 8 A |
| Protection degree | IP67, when screwed in | Plugging cycles | ≥ 100 |
| Cable gland | PG 13.5 | Rated current | 8 A (4- and 5-pole), 10 A (3-pole) |
| Temperature range of housing | -25...+85 °C | | |

General data

| | |
|-----------------------|------------------------------------|
| Number of poles | 5 |
| Coding | none |
| Connection thread | 7/8" |
| Contact surface | Gold-plated |
| Tightening torque | 1.5 Nm |
| Core cross-section | 0.75 mm ² |
| Type of connection | Socket connector |
| Housing main material | Zinc diecast, nickel-plated |
| Contact material | CuZn |
| Nominal voltage | 300 V |
| Nominal current | 8 A |
| Protection degree | IP67, when screwed in |
| Plugging cycles | ≥ 100 |
| Cable gland | PG 13.5 |
| Basic material | PUR/ PUR |
| Rated voltage | 300 V |
| Rated current | 8 A (4- and 5-pole), 10 A (3-pole) |
| Connection 1 | 7/8" |

SAIE-7/8B-5-0.2U-PG13.5

Weidmüller Interface GmbH & Co. KG
Klingenbergstraße 26
D-32758 Detmold
Germany

www.weidmueller.com

Technical data

| | | |
|------------------------------|---------------|---------|
| Connection 2 | Flying wires | |
| Strand / cable length | 0.2 m | |
| Rated impulse voltage | 4000 V | |
| Mounting thread | PG 13.5 | |
| Mounting torque range | 6 ... 6.25 Nm | |
| Rated voltage (UL) | 600 V | |
| Mounting torque | min. | 6 Nm |
| | max. | 6.25 Nm |
| Temperature range of housing | -25...+85 °C | |
| Conductor O.D. | - | |

Classifications

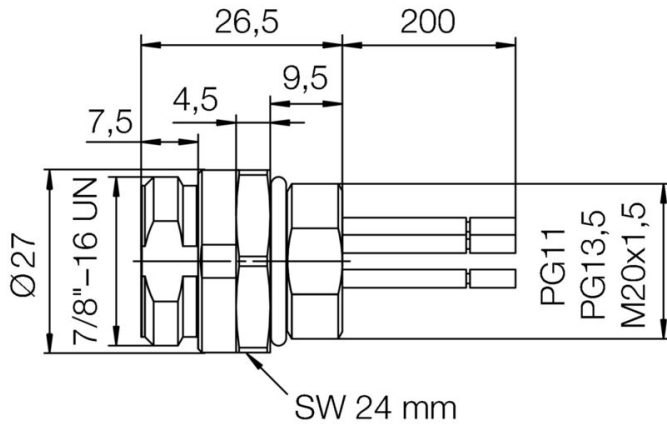
| | | | |
|-------------|-------------|-------------|-------------|
| ETIM 8.0 | EC003570 | ETIM 9.0 | EC003570 |
| ETIM 10.0 | EC003570 | ECLASS 14.0 | 27-44-01-03 |
| ECLASS 15.0 | 27-44-01-03 | | |

SAIE-7/8B-5-0.2U-PG13.5

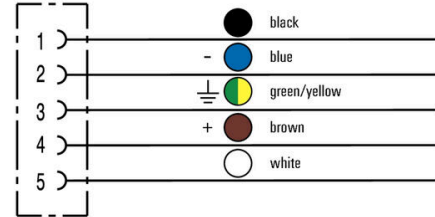
Weidmüller Interface GmbH & Co. KG
Klingenbergstraße 26
D-32758 Detmold
Germany

www.weidmueller.com

Drawings



Wiring diagram



Pole scheme



SAIE-7/8B-5-0.2U-PG13.5

Weidmüller Interface GmbH & Co. KG
Klingenbergstraße 26
D-32758 Detmold
Germany

www.weidmueller.com

Accessories

Brass lock nuts, nickel-plated



In addition to cable glands for a wide range of applications, the product portfolio is rounded off by plugs, pressure compensation elements, adaptors and the corresponding accessories such as locknuts, sealing rings, flat washers and earthing rings.

General ordering data

| | | | |
|------------|----------------------------|---|--|
| Type | SKMU PG 13,5-MS | Version | |
| Order No. | 1694100000 | SKMU MS (brass locknut), Locknut, PG 13.5, 3 mm, Brass, nickel- | |
| GTIN (EAN) | 4008190872267 | plated | |
| Qty. | 100 ST | | |