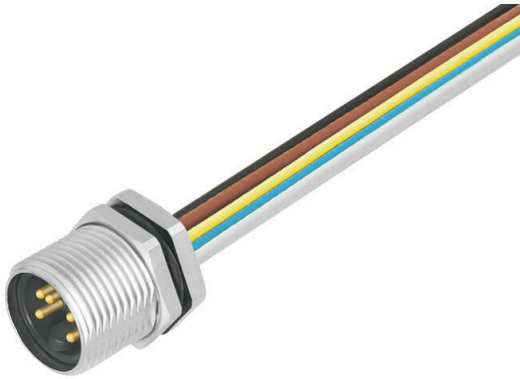


SAIE-7/8S-5-0.2U-H

Weidmüller Interface GmbH & Co. KG
Klingenbergstraße 26
D-32758 Detmold
Germany

www.weidmueller.com



Various build-in connectors are required for the connections on the device side of the sensor/actuator cabling. These are available in the versions M12, M8 and M5.

General ordering data

Version	Built-in plugs, 7/8", pin, straight, Mounting thread: M26 x 1.5, Number of poles: 5, Strand / cable length: 0.2 m
Order No.	1292490000
Type	SAIE-7/8S-5-0.2U-H
GTIN (EAN)	4050118088434
Qty.	1 items

SAIE-7/8S-5-0.2U-H

Weidmüller Interface GmbH & Co. KG
Klingenbergstraße 26
D-32758 Detmold
Germany

www.weidmueller.com

Technical data

Approvals

Approvals



ROHS	Conform
UL File Number Search	UL Website
Certificate No. (cURus)	E307231

Dimensions and weights

Net weight	60 g
------------	------

Environmental Product Compliance

RoHS Compliance Status	Compliant with exemption
RoHS Exemption (if applicable/known)	6c
REACH SVHC	Lead 7439-92-1
SCIP	7baf363e-d867-435e-844e-c01f32ebf146

Technical specifications for cable

Core cross-section	0.75 mm ²	Strand / cable length	0.2 m
Colour coding	black, blue, Green/yellow, brown, white	Number of poles	5

Technical data customisable plug-in connectors

Number of poles	5	Coding	none
Contact surface	Gold-plated	Type of connection	Pin
Housing main material	Zinc diecast, nickel-plated	Contact material	CuZn
Nominal voltage	300 V	Nominal current	8 A
Protection degree	IP67, when screwed in	Plugging cycles	≥ 100
Cable gland	7/8"	Rated current	8 A (4- and 5-pole), 10 A (3-pole)
Temperature range of housing	-25...+85 °C		

General data

Number of poles	5
Coding	none
Connection thread	7/8"
Contact surface	Gold-plated
Tightening torque	1.5 Nm
Core cross-section	0.75 mm ²
Type of connection	Pin
Housing main material	Zinc diecast, nickel-plated
Contact material	CuZn
Nominal voltage	300 V
Nominal current	8 A
Protection degree	IP67, when screwed in
Plugging cycles	≥ 100
Cable gland	7/8"
Basic material	PUR/ PUR
Rated voltage	300 V
Rated current	8 A (4- and 5-pole), 10 A (3-pole)
Connection 1	7/8"

SAIE-7/8S-5-0.2U-H

Weidmüller Interface GmbH & Co. KG
Klingenbergstraße 26
D-32758 Detmold
Germany

www.weidmueller.com

Technical data

Connection 2	Flying wires		
Strand / cable length	0.2 m		
Rated impulse voltage	4000 V		
Mounting thread	M26 x 1.5		
Mounting torque range	11.8 ... 12 Nm		
Rated voltage (UL)	600 V		
Mounting torque	min.	11.8 Nm	
	max.	12 Nm	
Temperature range of housing	-25...+85 °C		
Conductor O.D.	-		

Classifications

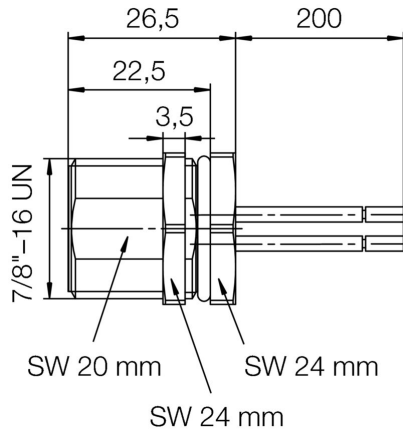
ETIM 8.0	EC003570	ETIM 9.0	EC003570
ETIM 10.0	EC003570	ECLASS 14.0	27-44-01-03
ECLASS 15.0	27-44-01-03		

SAIE-7/8S-5-0.2U-H

Weidmüller Interface GmbH & Co. KG
Klingenbergstraße 26
D-32758 Detmold
Germany

www.weidmueller.com

Drawings



Wiring diagram



Pole scheme

