

SAIE-7/8B-4-0.2U-PG13.5

Weidmüller Interface GmbH & Co. KG
Klingenbergstraße 26
D-32758 Detmold
Germany

www.weidmueller.com

Similar to illustration

Various build-in connectors are required for the connections on the device side of the sensor/actuator cabling. These are available in the versions M12, M8 and M5.

General ordering data

Version	Built-in plugs, 7/8", Female socket, straight, Mounting thread: PG 13.5, Number of poles: 4, Strand / cable length: 0.2 m
Order No.	1292440000
Type	SAIE-7/8B-4-0.2U-PG13.5
GTIN (EAN)	4050118088458
Qty.	1 items

SAIE-7/8B-4-0.2U-PG13.5

Weidmüller Interface GmbH & Co. KG
 Klingenbergstraße 26
 D-32758 Detmold
 Germany

www.weidmueller.com

Technical data

Approvals

Approvals



ROHS	Conform
UL File Number Search	UL Website
Certificate No. (cURus)	E307231

Dimensions and weights

Net weight	43 g
------------	------

Environmental Product Compliance

RoHS Compliance Status	Compliant
REACH SVHC	Lead 7439-92-1
SCIP	ebf89fc8-a87f-4691-b87a-dfb9921774b4

Technical specifications for cable

Core cross-section	0.75 mm ²	Strand / cable length	0.2 m
Colour coding	black, blue, brown, white	Number of poles	4

Technical data customisable plug-in connectors

Number of poles	4	Coding	none
Contact surface	Gold-plated	Type of connection	Socket connector
Housing main material	Zinc diecast, nickel-plated	Contact material	CuZn
Nominal voltage	300 V	Nominal current	8 A
Protection degree	IP67, when screwed in	Plugging cycles	≥ 100
Cable gland	PG 13.5	Rated current	8 A (4- and 5-pole), 10 A (3-pole)
Temperature range of housing	-25...+85 °C		

General data

Number of poles	4
Coding	none
Connection thread	7/8"
Contact surface	Gold-plated
Tightening torque	1.5 Nm
Core cross-section	0.75 mm ²
Type of connection	Socket connector
Housing main material	Zinc diecast, nickel-plated
Contact material	CuZn
Nominal voltage	300 V
Nominal current	8 A
Protection degree	IP67, when screwed in
Plugging cycles	≥ 100
Cable gland	PG 13.5
Basic material	PUR/ PUR
Rated voltage	300 V
Rated current	8 A (4- and 5-pole), 10 A (3-pole)
Connection 1	7/8"
Connection 2	Flying wires
Strand / cable length	0.2 m

SAIE-7/8B-4-0.2U-PG13.5

Weidmüller Interface GmbH & Co. KG
Klingenbergstraße 26
D-32758 Detmold
Germany

www.weidmueller.com

Technical data

Rated impulse voltage	4000 V	
Mounting thread	PG 13.5	
Mounting torque range	6 ... 6.25 Nm	
Rated voltage (UL)	600 V	
Mounting torque	min.	6 Nm
	max.	6.25 Nm
Temperature range of housing	-25...+85 °C	
Conductor O.D.	-	

Classifications

ETIM 8.0	EC003570	ETIM 9.0	EC003570
ETIM 10.0	EC003570	ECLASS 14.0	27-44-01-03
ECLASS 15.0	27-44-01-03		

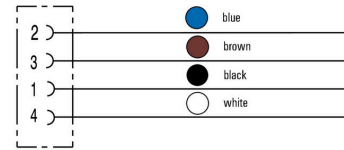
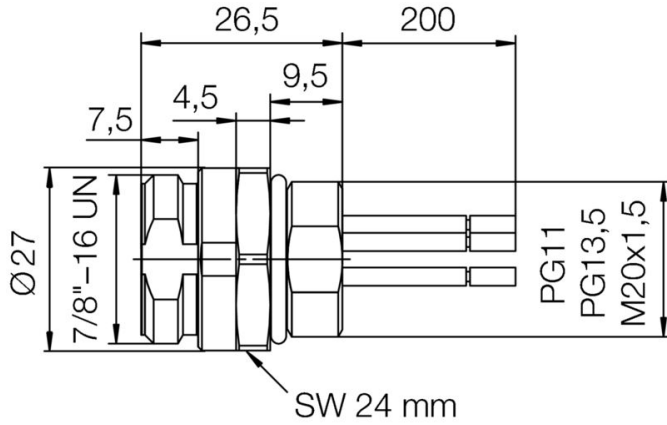
SAIE-7/8B-4-0.2U-PG13.5

Weidmüller Interface GmbH & Co. KG
Klingenbergstraße 26
D-32758 Detmold
Germany

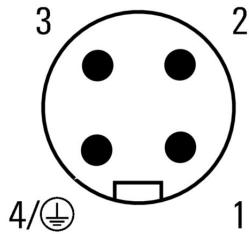
www.weidmueller.com

Drawings

Wiring diagram



Pole scheme



SAIE-7/8B-4-0.2U-PG13.5

Weidmüller Interface GmbH & Co. KG
Klingenbergstraße 26
D-32758 Detmold
Germany

Accessories

www.weidmueller.com

Brass lock nuts, nickel-plated



In addition to cable glands for a wide range of applications, the product portfolio is rounded off by plugs, pressure compensation elements, adaptors and the corresponding accessories such as locknuts, sealing rings, flat washers and earthing rings.

General ordering data

Type	SKMU PG 13,5-MS	Version	
Order No.	1694100000	SKMU MS (brass locknut), Locknut, PG 13.5, 3 mm, Brass, nickel-	
GTIN (EAN)	4008190872267	plated	
Qty.	100 ST		