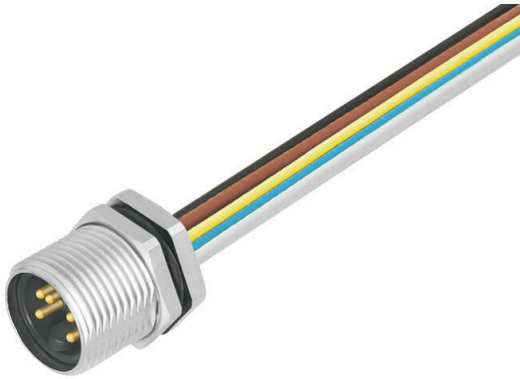


## SAIE-7/8S-3-0.2U-H

**Weidmüller Interface GmbH & Co. KG**  
Klingenbergstraße 26  
D-32758 Detmold  
Germany

[www.weidmueller.com](http://www.weidmueller.com)



Various build-in connectors are required for the connections on the device side of the sensor/actuator cabling. These are available in the versions M12, M8 and M5.

### General ordering data

Version	Built-in plugs, 7/8", pin, straight, Mounting thread: M26 x 1.5, Number of poles: 3, Strand / cable length: 0.2 m
Order No.	<a href="#">1292350000</a>
Type	SAIE-7/8S-3-0.2U-H
GTIN (EAN)	4050118088366
Qty.	1 items

## SAIE-7/8S-3-0.2U-H

Weidmüller Interface GmbH & Co. KG  
Klingenbergstraße 26  
D-32758 Detmold  
Germany

www.weidmueller.com

## Technical data

## Approvals

Approvals



ROHS	Conform
UL File Number Search	<a href="#">UL Website</a>
Certificate No. (cURus)	E307231

## Dimensions and weights

Net weight	52 g
------------	------

## Environmental Product Compliance

RoHS Compliance Status	Compliant
REACH SVHC	Lead 7439-92-1
SCIP	ebf89fc8-a87f-4691-b87a-dfb9921774b4

## Technical specifications for cable

Core cross-section	0.75 mm <sup>2</sup>	Strand / cable length	0.2 m
Colour coding	Green/yellow, brown, blue	Number of poles	3

## Technical data customisable plug-in connectors

Number of poles	3	Coding	none
Contact surface	Gold-plated	Type of connection	Pin
Housing main material	Zinc diecast, nickel-plated	Contact material	CuZn
Nominal voltage	300 V	Nominal current	10 A
Protection degree	IP67, when screwed in	Plugging cycles	≥ 100
Cable gland	7/8"	Rated current	8 A (4- and 5-pole), 10 A (3-pole)
Temperature range of housing	-25...+85 °C		

## General data

Number of poles	3
Coding	none
Connection thread	7/8"
Contact surface	Gold-plated
Tightening torque	1.5 Nm
Core cross-section	0.75 mm <sup>2</sup>
Type of connection	Pin
Housing main material	Zinc diecast, nickel-plated
Contact material	CuZn
Nominal voltage	300 V
Nominal current	10 A
Protection degree	IP67, when screwed in
Plugging cycles	≥ 100
Cable gland	7/8"
Basic material	PUR/ PUR
Rated voltage	300 V
Rated current	8 A (4- and 5-pole), 10 A (3-pole)
Connection 1	7/8"
Connection 2	Flying wires
Strand / cable length	0.2 m

## SAIE-7/8S-3-0.2U-H

**Weidmüller Interface GmbH & Co. KG**  
Klingenbergstraße 26  
D-32758 Detmold  
Germany

[www.weidmueller.com](http://www.weidmueller.com)

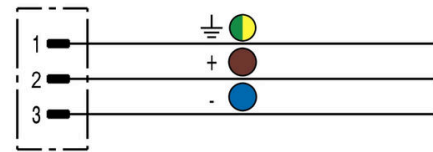
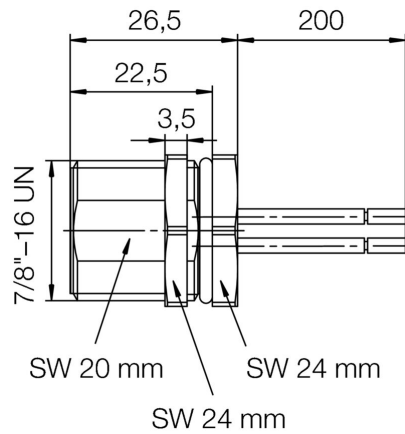
## Technical data

Rated impulse voltage	4000 V		
Mounting thread	M26 x 1.5		
Mounting torque range	11.8 ... 12 Nm		
Rated voltage (UL)	600 V		
Mounting torque	min.	11.8 Nm	
	max.	12 Nm	
Temperature range of housing	-25...+85 °C		
Conductor O.D.	-		

## Classifications

ETIM 8.0	EC003570	ETIM 9.0	EC003570
ETIM 10.0	EC003570	ECLASS 14.0	27-44-01-03
ECLASS 15.0	27-44-01-03		

**Wiring diagram**



**Pole scheme**

