

SAIE-M12S-PB-5.0U HW**Weidmüller Interface GmbH & Co. KG**

Klingenbergstraße 26

D-32758 Detmold

Germany

www.weidmueller.com



Various build-in connectors are required for the connections on the device side of the sensor/actuator cabling. These are available in the versions M12, M8 and M5.

General ordering data

| | |
|-----------------|---|
| Version | Built-in plugs, M12, pin, straight, PG 9, Number of poles: 2, 5 m |
| Order No. | 1279490500 |
| Type | SAIE-M12S-PB-5.0U HW |
| GTIN (EAN) | 4050118076417 |
| Qty. | 1 items |
| Delivery status | This article will no longer be available in the future. |
| Available until | 2026-02-27T00:00:00+01:00 |

SAIE-M12S-PB-5.0U HW

Weidmüller Interface GmbH & Co. KG
 Klingenbergstraße 26
 D-32758 Detmold
 Germany

www.weidmueller.com

Technical data

Approvals

| | |
|------|---------|
| ROHS | Conform |
|------|---------|

Dimensions and weights

| | |
|------------|-------|
| Net weight | 320 g |
|------------|-------|

Environmental Product Compliance

| | |
|--------------------------------------|--------------------------------------|
| RoHS Compliance Status | Compliant with exemption |
| RoHS Exemption (if applicable/known) | 6c |
| REACH SVHC | Lead 7439-92-1 |
| SCIP | e8d8af70-4c85-4483-bc8c-9bc5b598e2a9 |

Technical specifications for cable

| | | | |
|-----------------------|-----|--------------------|------------------------------|
| Cable length | 5 m | Sheathing colour | violet (similar to RAL 4001) |
| PE function | No | Core cross-section | 0.25 mm ² |
| Strand / cable length | 5 m | Number of poles | 2 |

Technical data customisable plug-in connectors

| | | | |
|------------------------------|-----------------------------|-------------------------------|----------------------|
| Number of poles | 2 | Coding | B-coded |
| Contact surface | Gold-plated | Type of connection | Pin |
| Housing main material | Zinc diecast, nickel-plated | Conductor cross-section, max. | 0.25 mm ² |
| Nominal voltage | 250 V | Nominal current | 4 A |
| Protection degree | IP68 | Plugging cycles | ≥ 500 |
| Pollution severity | 3 | Cable gland | PG 9 |
| Temperature range of housing | -20 ... +60 °C | | |

Classifications

| | | | |
|-------------|-------------|-------------|-------------|
| ETIM 8.0 | EC003570 | ETIM 9.0 | EC003570 |
| ETIM 10.0 | EC003570 | ECLASS 14.0 | 27-44-01-03 |
| ECLASS 15.0 | 27-44-01-03 | | |

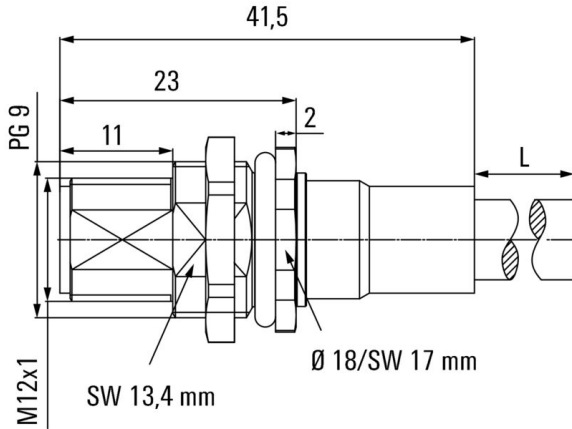
SAIE-M12S-PB-5.0U HW

Weidmüller Interface GmbH & Co. KG
Klingenbergstraße 26
D-32758 Detmold
Germany

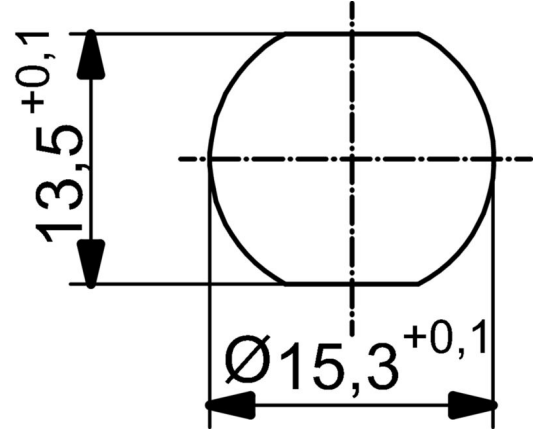
Drawings

www.weidmueller.com

Dimensioned drawing



Detailed drawing



Wiring diagram

