

**SAIE-M12B-PB-1.0U HW****Weidmüller Interface GmbH & Co. KG**

Klingenbergstraße 26

D-32758 Detmold

Germany

www.weidmueller.com



Various build-in connectors are required for the connections on the device side of the sensor/actuator cabling. These are available in the versions M12, M8 and M5.

**General ordering data**

Version	Built-in plugs, M12, Female socket, straight, PG 9, Number of poles: 2, 1 m
Order No.	<a href="#">1279480100</a>
Type	SAIE-M12B-PB-1.0U HW
GTIN (EAN)	4050118071481
Qty.	1 items
Delivery status	This article will no longer be available in the future.
Available until	2026-02-27T00:00:00+01:00

## SAIE-M12B-PB-1.0U HW

**Weidmüller Interface GmbH & Co. KG**  
 Klingenbergstraße 26  
 D-32758 Detmold  
 Germany

www.weidmueller.com

## Technical data

### Approvals

ROHS	Conform
------	---------

### Dimensions and weights

Net weight	80.67 g
------------	---------

### Environmental Product Compliance

RoHS Compliance Status	Compliant with exemption
RoHS Exemption (if applicable/known)	6c
REACH SVHC	Lead 7439-92-1
SCIP	bd63baef-8092-4596-90c7-5b4daa22710b

### Technical specifications for cable

Cable length	1 m	Sheathing colour	violet (similar to RAL 4001)
PE function	No	Core cross-section	0.25 mm <sup>2</sup>
Strand / cable length	1 m	Number of poles	2

### Technical data customisable plug-in connectors

Number of poles	2	Coding	B-coded
Contact surface	Gold-plated	Type of connection	Socket connector
Housing main material	Zinc diecast, nickel-plated	Conductor cross-section, max.	0.25 mm <sup>2</sup>
Nominal voltage	250 V	Nominal current	4 A
Protection degree	IP68	Plugging cycles	≥ 500
Pollution severity	3	Cable gland	PG 9
Temperature range of housing	-20 ... +60 °C		

### Classifications

ETIM 8.0	EC003570	ETIM 9.0	EC003570
ETIM 10.0	EC003570	ECLASS 14.0	27-44-01-03
ECLASS 15.0	27-44-01-03		

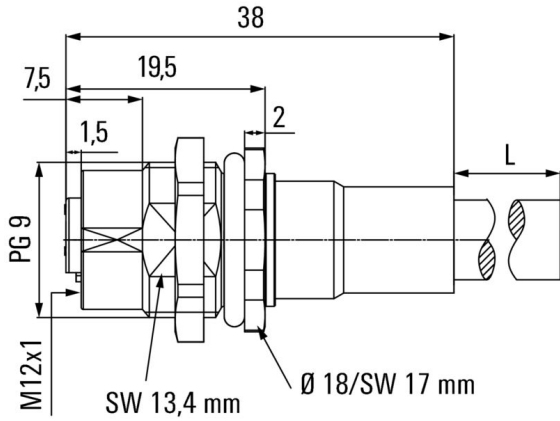
SAIE-M12B-PB-1.0U HW

Weidmüller Interface GmbH & Co. KG  
Klingenbergstraße 26  
D-32758 Detmold  
Germany

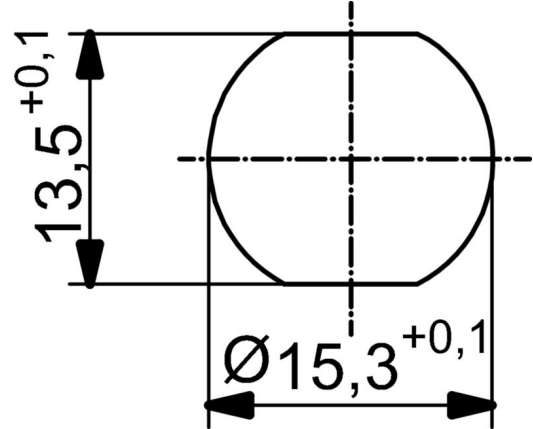
Drawings

www.weidmueller.com

Dimensioned drawing



Detailed drawing



Wiring diagram

