

**SAI-4-S8 4P M12 L****Weidmüller Interface GmbH & Co. KG**

Klingenbergstraße 26

D-32758 Detmold

Germany

www.weidmueller.com



M12 distributors are available in various versions. The 4, 6 or 8 M12 slots are in 4 or 5 pole design. The group outlet is designed as a fixed cable version, hood version for connection by the user, or with M23. Special versions are also available. For instance, there are 1-to-1 distributors for use with any connection types, or distributors approved for Ex Zone 1.

**General ordering data**

Version	with M12 outlet, 8-pole, A-coded, M12, 30 V, A-coded, LED: Yes, LED initiator: Yes, Wiring type: PNP
Order No.	<a href="#">1267330000</a>
Type	SAI-4-S8 4P M12 L
GTIN (EAN)	4050118056532
Qty.	1 items

## SAI-4-S8 4P M12 L

**Weidmüller Interface GmbH & Co. KG**  
 Klingenbergstraße 26  
 D-32758 Detmold  
 Germany

www.weidmueller.com

## Technical data

## Approvals

Approvals



ROHS Conform

UL File Number Search [UL Website](#)

Certificate No. (cURus) E92202

## Dimensions and weights

Net weight 117 g

## Temperatures

Operating temperature -20 - 80°C

## Environmental Product Compliance

RoHS Compliance Status Compliant without exemption

REACH SVHC No SVHC above 0.1 wt%

## Connection data

Distributor outlet with M12 outlet, 8-pole, A-coded

## Electrical data

Rated voltage, min. 10 V Rated voltage, max. 30 V

Max. current-carrying capacity per slot 2 A Total current 6 A

Current per signal 1 A Electrical isolation available No

## General technical data

Protection degree IP67 Plug-in station coding A-coded

Number of poles 4 Number of contact sockets 4

Connection thread M12 Pollution severity 3

Fire behaviour V-0 LED Yes

LED initiator Yes LED colour for indicating operation green

LED colour for I/O function yellow

## Material data

Housing main material PBT Housing colour grey, RAL 7032

Screw socket Nickel-plated CuZn Contact material CuZn

Contact surface Gold-plated Contact carrier material PBT (UL 94 V0)

## Technical data cable

Number of poles 4 Suitable for cable carriers No

## Classifications

ETIM 8.0 EC003558 ETIM 9.0 EC003558

ETIM 10.0 EC003558 ECLASS 14.0 27-44-01-11

## Data sheet

### SAI-4-S8 4P M12 L



**Weidmüller Interface GmbH & Co. KG**  
Klingenbergstraße 26  
D-32758 Detmold  
Germany

[www.weidmueller.com](http://www.weidmueller.com)

## Technical data

ECLASS 15.0

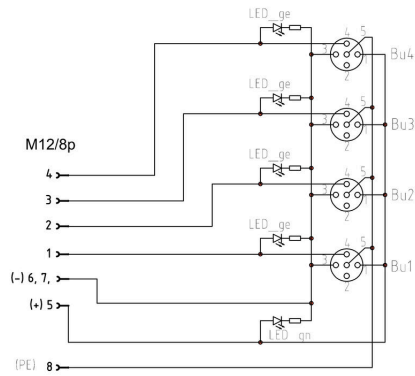
27-44-01-11

SAI-4-S8 4P M12 L

Weidmüller Interface GmbH & Co. KG  
Klingenbergstraße 26  
D-32758 Detmold  
Germany

Drawings

www.weidmueller.com



## SAI-4-S8 4P M12 L

**Weidmüller Interface GmbH & Co. KG**  
 Klingenbergstraße 26  
 D-32758 Detmold  
 Germany

[www.weidmueller.com](http://www.weidmueller.com)

## Accessories

## M12



Protective caps protect unassigned plug-in stations against external influences.

## General ordering data

Type	SAI-SK-M12	Version	
Order No.	<a href="#">9456050000</a>	Protected component assemblies, Protective cap	
GTIN (EAN)	4008190304058		
Qty.	30 ST		

## Screwty® cable gland tool with torque function



The ideal tool for any application  
 Screwty® is the ideal, all-purpose tool for tightening all common sensor and actuator cables. Even difficult-to-reach round plugs are accessible using the Screwty®. A simple turning movement tightens and loosens the connectors without the need for excessive force. The Screwty® is a unique and global solution since it fits with most cables and plugs from other vendors (over 90 %). The Screwty® consists of a handle with a conventional 1/4" adapter. Thus it can be used for all sizes: for M12 and M8 round plug-in connectors, and for M12F and M8F customisable plugs and sockets, as well as for all M23 plugs and sockets.

## General ordering data

Type	SCREWTY SET -DM	Version	
Order No.	<a href="#">1920000000</a>	Cable gland tool for M8, M12 lines and connectors	
GTIN (EAN)	4032248436859		
Qty.	1 ST		