

IE-CDR-V14MSCPOF/VAPM-C

Weidmüller Interface GmbH & Co. KG
Klingenbergstraße 26
D-32758 Detmold
Germany

www.weidmueller.com



Delivery incl. dust caps

FreeCon Active PROFINET repeater for PushPull Var. 14
plug-in connectors according to IEC 61076-3-117 and
PushPull Power according to the PROFINET specification

General ordering data

Version	POF repeater, FreeCon, IP65
Order No.	1253240000
Type	IE-CDR-V14MSCPOF/VAPM-C
GTIN (EAN)	4050118045833
Qty.	1 items

IE-CDR-V14MSCPOF/VAPM-C

Weidmüller Interface GmbH & Co. KG
 Klingenbergstraße 26
 D-32758 Detmold
 Germany

www.weidmueller.com

Technical data

Approvals

Approvals



ROHS Conform

UL File Number Search [UL Website](#)

Certificate no. (cULus) E141197

Dimensions and weights

Depth	53 mm	Depth (inches)	2.0866 inch
Width	100 mm	Width (inches)	3.937 inch
Length	130.4 mm	Length (inches)	5.1338 inch
Net weight	725.8 g		

Temperatures

Storage temperature	Operating temperature	-20 °C...55 °C
Installation temperature		

Environmental Product Compliance

RoHS Compliance Status	Compliant with exemption
RoHS Exemption (if applicable/known)	6c
REACH SVHC	Lead 7439-92-1
SCIP	67cf1078-beca-4687-860b-dc475a6ec24a

General data

UL 94 flammability rating	V-0	Housing main material	Aluminium profile, Cover: die-cast zinc, painted
Type of mounting	None	Protection degree	IP65
Plugging cycles	≥ 100	Wiring	PROFINET
Power interface	PROFINET PushPull Power	Data interface	PROFINET PushPull SCRJ POF (V14)

Electrical properties

Voltage type	DC	Baud rate	100 MB
Operating voltage	24 V	Protocol	PROFINET IRT
Current consumption	200 mA typical	LED indicator	FO1: port active, FO2: port active, SF: general error, BF: bus error, US1: voltage 1 (electronics), US2: voltage 2
Operational voltage range	18...30 V DC		

General standards

Connector standard	IEC 61076-3-117 Var. 14, IEC 61754-24	Network standard	IEC 61158, IEC 61784
Certificate no. (cULus)	E141197		

IE-CDR-V14MSCPOF/VAPM-C

Weidmüller Interface GmbH & Co. KG
Klingenbergstraße 26
D-32758 Detmold
Germany

www.weidmueller.com

Technical data

Classifications

ETIM 8.0	EC000732	ETIM 9.0	EC000732
ETIM 10.0	EC000732	ECLASS 14.0	19-17-02-06
ECLASS 15.0	19-17-02-06		

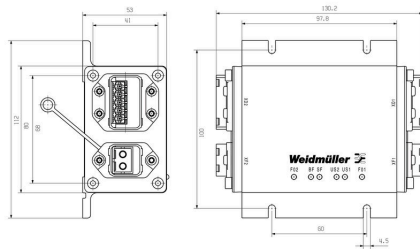
IE-CDR-V14MSCPOF/VAPM-C

Weidmüller Interface GmbH & Co. KG
 Klingenbergstraße 26
 D-32758 Detmold
 Germany

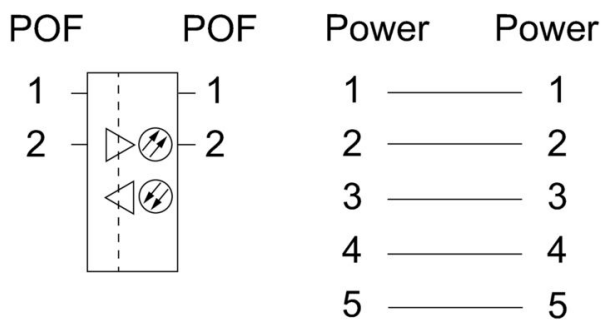
Drawings

www.weidmueller.com

Dimensioned drawing



Wiring diagram



IE-CDR-V14MSCPOF/VAPM-C

Weidmüller Interface GmbH & Co. KG
Klingenbergstraße 26
D-32758 Detmold
Germany

www.weidmueller.com

Accessories

Sets



PushPull Power plug-in connector according to PROFINET specification

General ordering data

Type	IE-PS-VAPM-5P-2.5	Version	
Order No.	2465440000		Power connector, Plug, PROFINET, Set of connectors
GTIN (EAN)	4050118522136		
Qty.	1 ST		