

VWGK 4 BK BX

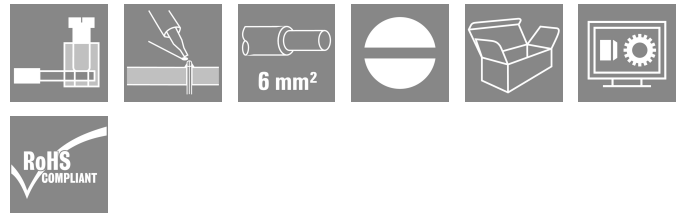
Weidmüller Interface GmbH & Co. KG

Klingenbergstraße 26

D-32758 Detmold

Germany

www.weidmueller.com



The V versions of the WGK feed-through terminals with an insulated housing and clamping yoke connections on the external side, and a solder connection on the internal side for use in encapsulated devices (e.g. EMC filters).

General ordering data

Version	OMNIMATE Power - series WGK, Feed-through terminal, Rated cross-section: 4 mm ² , Wemid (PA), black, Direct mounting, Feed-through (bushing)
Order No.	1250650000
Type	VWGK 4 BK BX
GTIN (EAN)	4050118041774
Qty.	50 items
Product data	IEC: 500 V / 32 A / 0.5 - 6 mm ² UL: 300 V / 30 A / AWG 30 - AWG 10
Packaging	Box

VWGK 4 BK BX

Weidmüller Interface GmbH & Co. KG

Klingenbergstraße 26

D-32758 Detmold

Germany

www.weidmueller.com

Technical data

Approvals

Approvals



ROHS Conform

UL File Number Search [UL Website](#)

Certificate No. (cURus) E60693

Dimensions and weights

Height	20.5 mm	Height (inches)	0.8071 inch
Height of lowest version	20.5 mm	Width	10 mm
Width (inches)	0.3937 inch	Length	10.6 mm
Length (inches)	0.4173 inch	Net weight	4.02 g

Environmental Product Compliance

RoHS Compliance Status Compliant without exemption

REACH SVHC No SVHC above 0.1 wt%

System parameters

Product family	OMNIMATE Power - series WGK	Wire connection method	Screw / solder connection
Conductor outlet direction	180°	Number of poles	1
Pin series quantity	1	Fitted by customer	No
Screwdriver blade	0.6 x 3.5	Tightening torque, min.	0.6 Nm
Tightening torque, max.	0.8 Nm	Clamping screw	M 3
Stripping length	8 mm	Touch-safe protection acc. to DIN VDE 0470	IP 20
Protection degree	IP20	Type of connection 1	Clamping yoke
Type of connection 2	Solder connection		

Material data

Insulating material	Wemid (PA)	Colour	black
Colour chart (similar)	RAL 9011	Moisture Level (MSL)	
UL 94 flammability rating	V-0	Contact material	Cu-alloy
Contact surface	tinned	Storage temperature, min.	-40 °C
Storage temperature, max.	70 °C	Operating temperature, min.	-50 °C
Operating temperature, max.	120 °C	Temperature range, installation, min.	-25 °C
Temperature range, installation, max.	120 °C		

Conductors suitable for connection

Clamping range, min.	0.5 mm ²
Clamping range, max.	6 mm ²
Wire connection cross section AWG, min.	AWG 30
Wire connection cross section AWG, max.	AWG 10
Solid, min. H05(07) V-U	0.5 mm ²
Solid, max. H05(07) V-U	6 mm ²
Stranded, min. H07V-R	0.5 mm ²
Stranded, max. H07V-R	4 mm ²

VWGK 4 BK BX

Weidmüller Interface GmbH & Co. KG

Klingenbergstraße 26
D-32758 Detmold
Germany

www.weidmueller.com

Technical data

Flexible, min. H05(07) V-K	0.5 mm ²																								
Flexible, max. H05(07) V-K	4 mm ²																								
w. plastic collar ferrule, DIN 46228 pt 4, 0.5 mm ² min.																									
w. plastic collar ferrule, DIN 46228 pt 4, 4 mm ² max.																									
w. wire end ferrule, DIN 46228 pt 1, 0.5 mm ² min.																									
w. wire end ferrule, DIN 46228 pt 1, 4 mm ² max.																									
Clampable conductor	<table border="1"> <tr> <td>Cross-section for conductor connection</td> <td>Type</td> <td>fine-wired</td> </tr> <tr> <td></td> <td>nominal</td> <td>1.5 mm²</td> </tr> <tr> <td>wire end ferrule</td> <td>Stripping length</td> <td>nominal 7 mm</td> </tr> <tr> <td></td> <td>Recommended wire-end ferrule</td> <td>H1.5/7</td> </tr> <tr> <td>Cross-section for conductor connection</td> <td>Type</td> <td>fine-wired</td> </tr> <tr> <td></td> <td>nominal</td> <td>2.5 mm²</td> </tr> <tr> <td>wire end ferrule</td> <td>Stripping length</td> <td>nominal 7 mm</td> </tr> <tr> <td></td> <td>Recommended wire-end ferrule</td> <td>H2.5/7</td> </tr> </table>	Cross-section for conductor connection	Type	fine-wired		nominal	1.5 mm ²	wire end ferrule	Stripping length	nominal 7 mm		Recommended wire-end ferrule	H1.5/7	Cross-section for conductor connection	Type	fine-wired		nominal	2.5 mm ²	wire end ferrule	Stripping length	nominal 7 mm		Recommended wire-end ferrule	H2.5/7
Cross-section for conductor connection	Type	fine-wired																							
	nominal	1.5 mm ²																							
wire end ferrule	Stripping length	nominal 7 mm																							
	Recommended wire-end ferrule	H1.5/7																							
Cross-section for conductor connection	Type	fine-wired																							
	nominal	2.5 mm ²																							
wire end ferrule	Stripping length	nominal 7 mm																							
	Recommended wire-end ferrule	H2.5/7																							
Reference text	Length of ferrules is to be chosen depending on the product and the rated voltage., The outside diameter of the plastic collar should not be larger than the pitch (P)																								

Rated data acc. to IEC

tested acc. to standard	IEC 60664-1	Rated current, min. number of poles (Tu=20°C)	32 A
Rated current, max. number of poles (Tu=20°C)	32 A	Rated voltage for surge voltage class / pollution degree III/3	500 V
Rated impulse voltage for surge voltage class/ contamination degree III/3	6 kV		

Rated data acc. to CSA

Institute (CSA)	CSA	Certificate No. (CSA)	200039-1830694
Rated voltage (Use group B / CSA)	300 V	Rated voltage (Use group C / CSA)	300 V
Rated voltage (Use group D / CSA)	300 V	Rated current (Use group B / CSA)	30 A
Rated current (Use group C / CSA)	30 A	Rated current (Use group D / CSA)	10 A
Wire cross-section, AWG, min.	AWG 30	Wire cross-section, AWG, max.	AWG 10
Reference to approval values	Specifications are maximum values, details - see approval certificate.		

Rated data acc. to UL 1059

Institute (cURus)	CURUS	Certificate No. (cURus)	E60693
Rated voltage (Use group B / UL 1059)	300 V	Rated voltage (Use group C / UL 1059)	300 V
Rated voltage (Use group D / UL 1059)	300 V	Rated current (Use group B / UL 1059)	30 A
Rated current (Use group C / UL 1059)	30 A	Rated current (Use group D / UL 1059)	10 A
Wire cross-section, AWG, min.	AWG 30	Wire cross-section, AWG, max.	AWG 10
Reference to approval values	Specifications are maximum values, details - see approval certificate.		

Packing

Packaging	Box	VPE length	112.00 mm
VPE width	87.00 mm	VPE height	51.00 mm

Important note

Notes

- Clearance and creepage distances to other components must be devised in accordance with the relevant application standard. This can be achieved in the device by full encapsulation or by the use of additional spacer plates.
- Rated data refer only to the component itself. Clearance and creepage distances to other components are to be designed in accordance with the relevant application standards.
- Colours: SW = black; GN/YL = green/yellow; GY = grey
- Additional variants on request
- WGK: Rated voltage plastic walls: 1 - 4 mm = 500 V; metal walls: 1 - 2.5 mm = 400 V; metal walls: 2.5 - 4 mm = 250 V
- WGKV: Rated voltage plastic walls: 1 - 4 mm = 400 V; metal walls: 1 - 2.5 mm = 400 V; metal walls: 2.5 - 4 mm = 250 V
- VWGK: Rated voltage plastic walls: 1 - 4 mm = 500 V; metal walls: 1 - 4 mm = 500 V
- Long term storage of the product with average temperature of 50 °C and maximum humidity 70%, 36 months

Classifications

ETIM 8.0	EC001283	ETIM 9.0	EC001283
ETIM 10.0	EC001283	ECLASS 14.0	27-14-11-34
ECLASS 15.0	27-14-11-34		

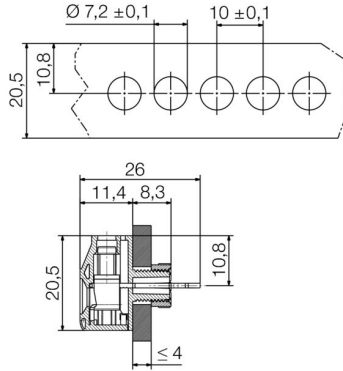
VWGK 4 BK BX

Weidmüller Interface GmbH & Co. KG
 Klingenbergstraße 26
 D-32758 Detmold
 Germany

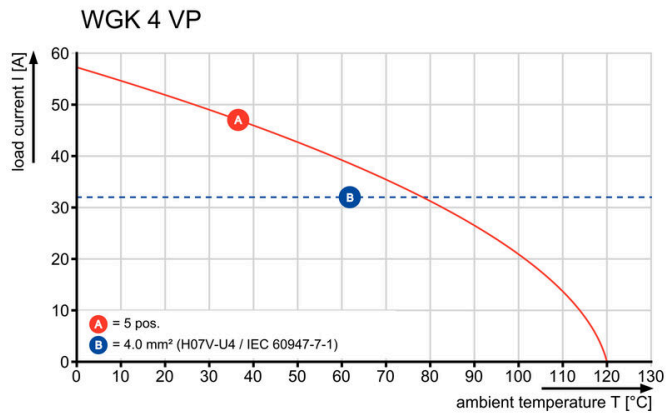
www.weidmueller.com

Drawings

Dimensional drawing



Derating curve



VWGK-4_H07V-U4_LAB-14928_LABOR_2688_EN.eps