

IE-C6FP8LD0100M40V40-D

Weidmüller Interface GmbH & Co. KG
Klingenbergstraße 26
D-32758 Detmold
Germany

www.weidmueller.com



Assembled IE cables, patch cable Cabinet Line, Cat. 6,
LSZH, grey, 90° angled on one side

General ordering data

| | |
|------------|--|
| Version | Patch cable, RJ45 IP 20, RJ45 IP 20, Angled 90°, <20 m: Cat.6A / >20 m Class EA (ISO/IEC 11801 2010), LSZH, 10 m |
| Order No. | 1248280100 |
| Type | IE-C6FP8LD0100M40V40-D |
| GTIN (EAN) | 4050118044812 |
| Qty. | 1 items |

IE-C6FP8LD0100M40V40-D

Weidmüller Interface GmbH & Co. KG
 Klingenbergstraße 26
 D-32758 Detmold
 Germany

www.weidmueller.com

Technical data

Approvals

Approvals



ROHS Conform

UL File Number Search [UL Website](#)

Certificate no. (cULus) E316369

Dimensions and weights

| | | | |
|------------|-------|-----------------|---------------|
| Length | 10 m | Length (inches) | 393.7008 inch |
| Net weight | 383 g | | |

Temperatures

| | | | |
|--------------------------|----------------|-----------------------|----------------|
| Storage temperature | -20 °C...60 °C | Operating temperature | -20 °C...60 °C |
| Installation temperature | 0 °C...50 °C | | |

Environmental Product Compliance

RoHS Compliance Status Compliant without exemption

REACH SVHC No SVHC above 0.1 wt%

Electrical properties

| | | | |
|------------------------------------|-----|------------|----------------------------|
| Current-carrying capacity at 50 °C | 1 A | PoE / PoE+ | conforming to IEEE 802.3at |
|------------------------------------|-----|------------|----------------------------|

General standards

| | | | |
|-------------------------|----------------|---|---|
| Connector standard | IEC 60603-7-51 | Application-specific communication cable facilities | ANSI / TIA / EIA-568-B.2-10, ISO / IEC 11801:2002, EN50173-1:2007 |
| Certificate no. (cULus) | E316369 | | |

Standards

| | |
|--------------------|----------------|
| Connector standard | IEC 60603-7-51 |
|--------------------|----------------|

Cable structure

| | | | |
|---------------------------------------|--|----------------------------|--------------|
| Strands | 7 | Sheathing colour | grey |
| Cross-section | 4*2*AWG 27/7 - 4*2*0.1 mm ² | Shielding | S/FTP |
| Number of wires | 8 | Insulation cross-section | 1.04 mm |
| Insulation | PE | Sheath diameter, max. | 5.9 mm |
| Sheath diameter, min. | 5.5 mm | Material sheath | LSZH |
| Wire pair shielding | Aluminium foil | Arrangement of wire cores | Twisted pair |
| Complete shielding | Shielding braid made from copper wiring | Overlap of shielding braid | 60 % |
| Colour sequence or wires - wire pairs | white - blue, white - orange, white - green, white - brown | | |

IE-C6FP8LD0100M40V40-D

Weidmüller Interface GmbH & Co. KG
 Klingenbergstraße 26
 D-32758 Detmold
 Germany

www.weidmueller.com

Technical data

Electrical properties of cable

| | | | |
|--|---------------------|-------------------------------------|---|
| Transmission rate | 10 Gbit/s | Category | <20 m: Cat.6A / >20 m Class EA (ISO/IEC 11801 2010) |
| Operating voltage | 50 V DC | Coupling attenuation up to 1000 MHz | 80 dB |
| Separating class according to EN 50174-2 | d | Capacity at 1 kHz | 46 nF/km |
| Coupling resistance at 10 MHz / m | 5.00 mΩ | Test voltage: wire-wire-shield | 2.5 kV / DC for 2 sec |
| Resistance differential | 5 % | Delay skew | 2.5 ns/100m |
| Operating voltage (UL rating) | 30 V AC / 42.4 V DC | Characteristic impedance | 100 ± 15 Ω at 1–100 MHz |

Mechanical and material properties of cable

| | | | |
|--------------------------------|--------------------|-------------------------------|---|
| Colour | grey | Halogen | halogen-free, according to IEC 60754-2 |
| Min. bending radius, once only | 4 x cable diameter | Resistance to spread of flame | in accordance with IEC 60332-2-2, in accordance with IEC 60332-1-2, in accordance with IEC 60332-3-24, in accordance with UL 2556 (FT1) |

Plug

| | | | |
|------------|---|-----------|---|
| Plug right | RJ45, IP20, male contact, angled 90°, plug, Plastic, shielded | Plug left | RJ45, IP20, male contact, straight, plug, Plastic, shielded |
|------------|---|-----------|---|

Plug, left

| | |
|-----------|---|
| Plug left | RJ45, IP20, male contact, straight, plug, Plastic, shielded |
|-----------|---|

Plug, right

| | |
|------------|---|
| Plug right | RJ45, IP20, male contact, angled 90°, plug, Plastic, shielded |
|------------|---|

Classifications

| | | | |
|-------------|-------------|-------------|-------------|
| ETIM 8.0 | EC002599 | ETIM 9.0 | EC002599 |
| ETIM 10.0 | EC002599 | ECLASS 14.0 | 27-06-03-08 |
| ECLASS 15.0 | 27-06-03-08 | | |

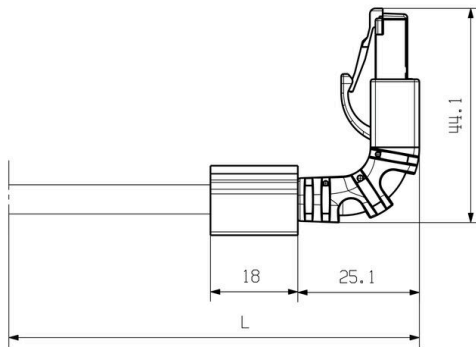
Wiring

| | | | | |
|------|---|----------------|---|------|
| RJ45 | 1 | white (orange) | 1 | RJ45 |
| | 2 | orange | 2 | |
| | 3 | white (green) | 3 | |
| | 4 | blue | 4 | |
| | 5 | white (blue) | 5 | |
| | 6 | green | 6 | |
| | 7 | white (brown) | 7 | |
| | 8 | brown | 8 | |

Dimensioned drawing



Dimensioned drawing



Blank



TM-I is an acknowledged and accredited marker type for traffic engineering applications. There are various different tag lengths available for individual labelling with long character strings. Easy handling of separation and installation thanks to the project marker field. Pre-attachment of sleeves and retrofitting of tags offer excellent versatility

The special contour of TM-I allows easy assembly and secures firm positioning. They are compatible with a number of commercially available sleeves. Thanks to the MultiCard format, the tags can be printed quickly and conveniently with the PrintJet CONNECT, plotter or the STI pen.

- Easy handling of separation and installation thanks to the project marker field.
- Acknowledged and accredited marker for traffic engineering applications
- Pre-attachment of sleeves and retrofitting of tags offer excellent versatility
- Not suited for labelling with P-Ink or STI pen in connection with CLI T sleeves

For custom printing: Please send us a file of our labeling software M-Print PRO or M-Print PRO Online (without installation) for your labeling specifications.

General ordering data

| | | |
|------------|----------------------------|---|
| Type | TM-I 12 MC NE WS | Version |
| Order No. | 1718411044 | TM-I, Insert markers, 12 x 4 mm, white |
| GTIN (EAN) | 4008190348977 | |
| Qty. | 320 ST | |
| Type | TM-I 18 MC NE WS | Version |
| Order No. | 1718431044 | TM-I, Insert markers, 1.5 - 22 mm, 18 x 4 mm, white |
| GTIN (EAN) | 4008190349011 | |
| Qty. | 320 ST | |