

RCMKITZ 24VDC 4CO LED

Weidmüller Interface GmbH & Co. KG
 Klingenbergstraße 26
 D-32758 Detmold
 Germany

www.weidmueller.com

Product image



Similar to illustration

General ordering data

Version	RIDERSERIES RCM, Relay module, Number of contacts: 4, CO contact with test button AgNi, Rated control voltage: 24 V DC, Continuous current: 6 A, Tension-clamp connection, Test button available: Yes
Order No.	1246790000
Type	RCMKITZ 24VDC 4CO LED
GTIN (EAN)	405011803498 1
Qty.	10 items
Delivery status	This article will no longer be available in the future.
Available until	2025-09-30T00:00:00+02:00
Alternative product	CRMKIT P 24VDC 4CO L/D/PB

RCMKITZ 24VDC 4CO LED

Weidmüller Interface GmbH & Co. KG

Klingenbergstraße 26

D-32758 Detmold

Germany

www.weidmueller.com

Technical data

Approvals

ROHS	Conform
------	---------

Dimensions and weights

Depth	79 mm	Depth (inches)	3.1102 inch
Height	101 mm	Height (inches)	3.9764 inch
Width	27 mm	Width (inches)	1.063 inch
Net weight	117.2 g		

Temperatures

Storage temperature	-40 °C...70 °C	Ambient temperature	-40 °C...70 °C
Operating temperature			

Environmental Product Compliance

RoHS Compliance Status	Compliant without exemption
REACH SVHC	No SVHC above 0.1 wt%

Control side

Rated control voltage	24 V DC	Rated current DC	31.3 mA
Power rating	750 mW	Coil resistance	777 Ω ± 10 %
Status indicator	Green LED	Protective circuit	Free-wheeling diode

Load side

Rated switching voltage	240 V AC	Continuous current	6 A
Max. switching frequency at rated load	0.1 Hz	Inrush current	12 A / 20 ms
AC switching capacity (resistive), max.	1500 VA	DC switching capacity (resistive), max.	144 W @ 24 V
Switch-on delay	≤ 15 ms	Switch-off delay	≤ 10 ms
Contact type	4 CO contact with test button (AgNi)	Mechanical service life	AC coil 20 x 106 switching cycles, DC coil 30 x 106 switching cycles
Min. switching power	1 mA @ 24 V, 10 mA @ 12 V, 100 mA @ 5 V		

General data

Mounting rail	TS 35	Test button available	Yes
Version of test button	lockable	Mechanical switch position indicator	Yes
Colour	black	UL 94 flammability rating	V-2

Insulation coordination

Rated voltage	240 V	Pollution severity	2
Surge voltage category	III	Creepage and clearance distance input	≥ 4 mm
Dielectric strength, Input/Output	2.5 kVeff / 1 Min.	Dielectric strength of open contact	1.2 kVeff / 1 min.
Impulse withstand voltage	5 kV (1.2/50 μs)	Protection degree	IP20

Further details of approvals / standards

Relevant relay	RCM570L24	Relevant base	SCM 4CO Z
Certificate no. (CSA) relay	249409-2426937	Certificate no. (cURus) relay	E522350

RCMKITZ 24VDC 4CO LED

Weidmüller Interface GmbH & Co. KG
Klingenbergstraße 26
D-32758 Detmold
Germany

www.weidmueller.com

Technical data

Certificate no. (cURus) base E223759

Connection data

Wire connection method	Tension-clamp connection	Clamping range, rated connection	1.5 mm ²
Clamping range, min.	0.5 mm ²	Clamping range, max.	1.5 mm ²
Blade size	0.4 x 2.5 mm		

Classifications

ETIM 8.0	EC001437	ETIM 9.0	EC001437
ETIM 10.0	EC001437	ECLASS 14.0	27-37-16-01
ECLASS 15.0	27-37-16-01		

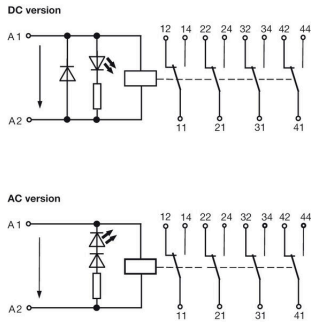
RCMKITZ 24VDC 4CO LED

Weidmüller Interface GmbH & Co. KG
 Klingenbergstraße 26
 D-32758 Detmold
 Germany

www.weidmueller.com

Drawings

Wiring diagram

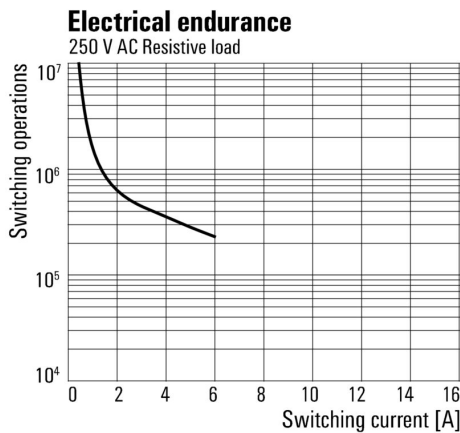


Graph



DC load limit curve Resistive load

Graph



Electrical service life 250 V AC resistive load

RCMKITZ 24VDC 4CO LED

Weidmüller Interface GmbH & Co. KG
 Klingenbergstraße 26
 D-32758 Detmold
 Germany

www.weidmueller.com

Drawings

