

IE-C5DS4UG0005MBSMCS-E

Weidmüller Interface GmbH & Co. KG
Klingenbergstraße 26
D-32758 Detmold
Germany

www.weidmueller.com



Assembled IE cables, PROFINET, Cat. 5, PUR, green

General ordering data

Version	System cable, M12 D-code – flange, M12 D-code – pin straight, Cat.5 (ISO/IEC 11801) / Cat.5e (TIA T568-B), PUR, 0.5 m
Order No.	1244130005
Type	IE-C5DS4UG0005MBSMCS-E
GTIN (EAN)	4050118045192
Qty.	1 items

IE-C5DS4UG0005MBSMCS-E

Weidmüller Interface GmbH & Co. KG
Klingenbergstraße 26
D-32758 Detmold
Germany

www.weidmueller.com

Technical data

Approvals

ROHS	Conform
------	---------

Dimensions and weights

Length	0.5 m	Length (inches)	19.685 inch
Net weight	51.92 g		

Temperatures

Storage temperature	-50 °C...70 °C	Operating temperature	-40 °C...70 °C
Installation temperature	-20 °C...60 °C		

Environmental Product Compliance

RoHS Compliance Status	Compliant with exemption
RoHS Exemption (if applicable/known)	6c
REACH SVHC	Lead 7439-92-1
SCIP	67cf1078-beca-4687-860b-dc475a6ec24a

Cable structure

Sheathing colour	green (RAL 6018)	Cross-section	4*AWG 22/7 - 0.32 mm ²
Shielding	360° shield contact	Insulation cross-section	1.5 mm
Sheath diameter, max.	6.7 mm	Material sheath	PUR

Electrical properties of cable

Category	Cat.5 (ISO/IEC 11801) / Cat.5e (TIA T568-B)
----------	------------------------------------------------

Mechanical and material properties of cable

Halogen	halogen-free, according to IEC 60754-2	Min. bending radius, repetitive	15 x cable diameter
Min. bending radius, once only	5 x cable diameter	Resistance to spread of flame	Yes

Plug, left

Plug left	M12, D-coded, IP67, female contact, straight, flange, Plastic, shielded
-----------	-------------------------------------------------------------------------------

Plug, right

Plug right	M12, D-coded, IP67, male contact, straight, plug, Plastic, shielded
------------	---------------------------------------------------------------------------

Classifications

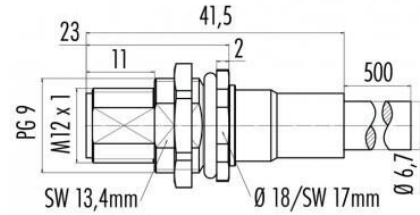
ETIM 8.0	EC002599	ETIM 9.0	EC002599
ETIM 10.0	EC002599	ECLASS 14.0	27-06-03-08
ECLASS 15.0	27-06-03-08		

Drawings

Wiring diagram

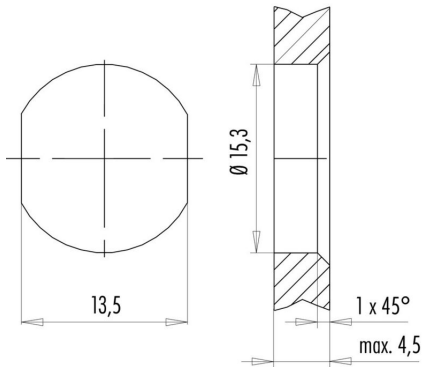
M12		M12
1	yellow	1
2	white	2
3	orange	3
4	blue	4

Dimensioned drawing



Hexagon nut enclosed loosely

Dimensioned drawing



with through hole