

## TW TXS/TXZ R3.2

**Weidmüller Interface GmbH & Co. KG**

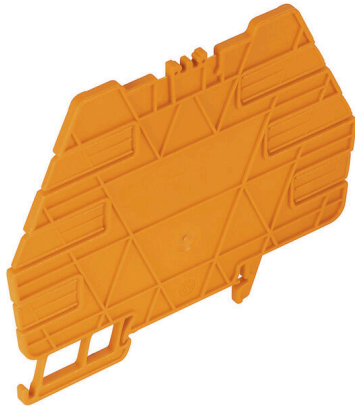
Klingenbergstraße 26

D-32758 Detmold

Germany

[www.weidmueller.com](http://www.weidmueller.com)

### Product image



#### Versatile separation plates

Separation plates can be used to group together signals visually, to electrically isolate modules and to insert markings for a better overview. This makes them a particularly versatile accessory. Separation plates increase the clearance and creepage distances between two modules, thus increasing the rated insulation voltage between two modules to up to 600 V. Double separation plates can be marked with WAD5 or WS10/5 markers and enable continuous cross-connections. Installation is made easier with the perforations to individually break out the cross-connection channels.

- Partition plates visually separates groups from each other
- Indentations for individual breaking out the cross-connection channels
- Partition plates isolates between two modules by increasing the clearance and creepage distances of up to 600 V

#### General ordering data

Version	TERMSERIES, Partition plate
Order No.	<a href="#">1240800000</a>
Type	TW TXS/TXZ R3.2
GTIN (EAN)	4050118028188
Qty.	10 items

**TW TXS/TXZ R3.2**

**Weidmüller Interface GmbH & Co. KG**  
 Klingenbergstraße 26  
 D-32758 Detmold  
 Germany

www.weidmueller.com

**Technical data**

**Approvals**

ROHS Conform

**Dimensions and weights**

Depth	83.3 mm	Depth (inches)	3.2795 inch
Height	98.8 mm	Height (inches)	3.8898 inch
Width	3.2 mm	Width (inches)	0.126 inch
Net weight	10.9 g		

**Temperatures**

Storage temperature Operating temperature

**Environmental Product Compliance**

RoHS Compliance Status Compliant without exemption  
 REACH SVHC No SVHC above 0.1 wt%

**General data**

Mounting rail	TS 35		
Colour	orange		
UL94 flammability rating component	Component	Housing	
	UL94 flammability rating	V-0	

**Classifications**

ETIM 8.0	EC002586	ETIM 9.0	EC002586
ETIM 10.0	EC002586	ECLASS 14.0	27-37-16-92
ECLASS 15.0	27-37-16-92		

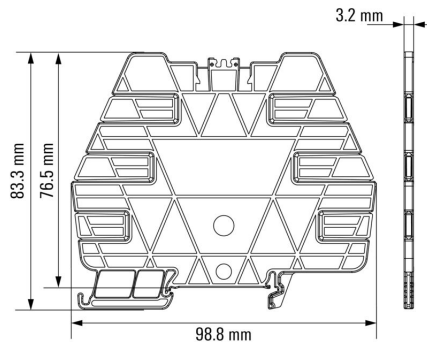
**TW TXS/TXZ R3.2**

**Weidmüller Interface GmbH & Co. KG**  
Klingenbergstraße 26  
D-32758 Detmold  
Germany

[www.weidmueller.com](http://www.weidmueller.com)

**Drawings**

**Dimensional drawing**



**Example of use**



If two partition walls are used, markers can be attached

**Example of use**



If two partition walls are used, markers can be attached

Miscellaneous

**Type code TERMSERIES accessories**



Type codes