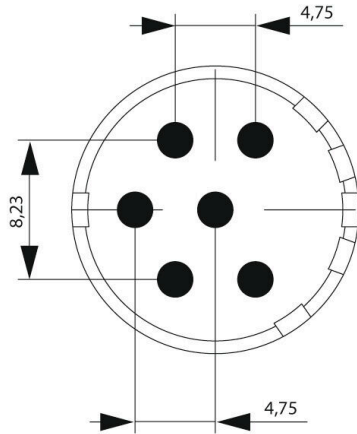


SAI-M23-BE-6-F

Weidmüller Interface GmbH & Co. KG
 Klingenbergstraße 26
 D-32758 Detmold
 Germany

www.weidmueller.com



The M23 round plug-in connectors offer a high number of mating cycles, high current-carrying capacity and high contact-density coupled with minimum dimensions. Enclosures, inserts and crimp contacts need to be ordered separately.

General ordering data

| | |
|------------|-----------------------------------|
| Version | Sensor/Actuator plug-in connector |
| Order No. | 1224010000 |
| Type | SAI-M23-BE-6-F |
| GTIN (EAN) | 4050118008111 |
| Qty. | 1 items |

SAI-M23-BE-6-F

Weidmüller Interface GmbH & Co. KG
 Klingenbergstraße 26
 D-32758 Detmold
 Germany

www.weidmueller.com

Technical data

Approvals

Approvals



| | |
|-----------------------|----------------------------|
| ROHS | Conform |
| UL File Number Search | UL Website |
| Certificate No. (UR) | E344862 |

Dimensions and weights

| | |
|------------|--------|
| Net weight | 8.62 g |
|------------|--------|

Environmental Product Compliance

| | |
|------------------------|--------------------------------------|
| RoHS Compliance Status | Compliant |
| REACH SVHC | Lead 7439-92-1 |
| SCIP | 1c533b66-fcff-4da5-b89f-fd55fbf5cb55 |

Technical data customisable plug-in connectors

| | | | |
|-----------------------|--------------------------------------|--------------------|-------------------|
| Number of poles | 6 | Coding | none |
| Contact surface | Gold-plated | Type of connection | Solder cups |
| Housing main material | Thermoplastic polyamide PA 6, PBT | Contact material | Copper-Zinc alloy |
| Nominal voltage | 300 V | Nominal current | 20 A |
| Plugging cycles | > 1000 | Pollution severity | 3 |
| Gender of contact | Female | | |

Classifications

| | | | |
|-------------|-------------|-------------|-------------|
| ETIM 8.0 | EC003557 | ETIM 9.0 | EC003557 |
| ETIM 10.0 | EC003557 | ECLASS 14.0 | 27-44-02-23 |
| ECLASS 15.0 | 27-44-02-23 | | |

Drawings

