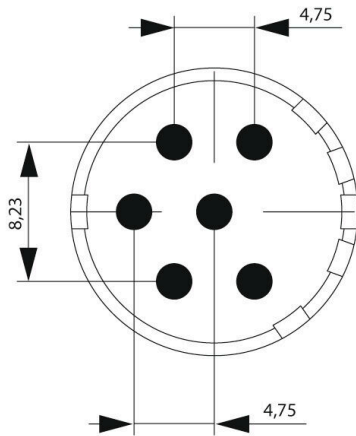


**SAI-M23-BE-6-F**

**Weidmüller Interface GmbH & Co. KG**  
 Klingenbergstraße 26  
 D-32758 Detmold  
 Germany

www.weidmueller.com



The M23 round plug-in connectors offer a high number of mating cycles, high current-carrying capacity and high contact-density coupled with minimum dimensions. Enclosures, inserts and crimp contacts need to be ordered separately.

**General ordering data**

Version	Sensor/Actuator plug-in connector
Order No.	<a href="#">1224010000</a>
Type	SAI-M23-BE-6-F
GTIN (EAN)	4050118008111
Qty.	1 items

**Technical data**

**Approvals**

Approvals



ROHS	Conform
UL File Number Search	<a href="#">UL Website</a>
Certificate No. (UR)	E344862

**Dimensions and weights**

Net weight	8.62 g
------------	--------

**Environmental Product Compliance**

RoHS Compliance Status	Compliant
REACH SVHC	Lead 7439-92-1
SCIP	1c533b66-fcff-4da5-b89f-fd55fbf5cb55

**Technical data customisable plug-in connectors**

Number of poles	6	Coding	none
Contact surface	Gold-plated	Type of connection	Solder cups
Housing main material	Thermoplastic polyamide PA 6, PBT	Contact material	Copper-Zinc alloy
Nominal voltage	300 V	Nominal current	20 A
Plugging cycles	> 1000	Pollution severity	3
Gender of contact	Female		

**Classifications**

ETIM 8.0	EC003557	ETIM 9.0	EC003557
ETIM 10.0	EC003557	ECLASS 14.0	27-44-02-23
ECLASS 15.0	27-44-02-23		

**Drawings**

