

IE-FCM-USB-AB

Weidmüller Interface GmbH & Co. KG
Klingenbergstraße 26
D-32758 Detmold
Germany

www.weidmueller.com



Service interface FrontCom® Micro with USB in IP65

General ordering data

Version	FrontCom Micro USB coupling, USB 2.0, Typ A-B
Order No.	1222550000
Type	IE-FCM-USB-AB
GTIN (EAN)	4050118005806
Qty.	10 items

IE-FCM-USB-AB

Weidmüller Interface GmbH & Co. KG

Klingenbergstraße 26

D-32758 Detmold

Germany

www.weidmueller.com

Technical data

Approvals

Approvals



ROHS Conform

UL File Number Search [UL Website](#)

Certificate no. (cULus) E316369

Dimensions and weights

Depth	42.9 mm	Depth (inches)	1.689 inch
Height	44 mm	Height (inches)	1.7323 inch
Width	29.5 mm	Width (inches)	1.1614 inch
Wall thickness, min.	1 mm	Wall thickness, max.	5 mm
Net weight	24.08 g		

Temperatures

Storage temperature	Operating temperature	-40 °C...70 °C
Installation temperature		

Environmental Product Compliance

RoHS Compliance Status	Compliant without exemption
REACH SVHC	No SVHC above 0.1 wt%

General Info

Connection 1	USB A	Connection 2	USB B
Description of article	FrontCom Micro USB coupling, USB 2.0	Wiring	Typ A-B
Colour	black	Housing main material	PA UL 94 V0
Type of mounting	Cabinet, Distribution box	Shielding	360°; shield contact
Protection degree	IP65, in closed state	Plugging cycles	≥ 1500

General standards

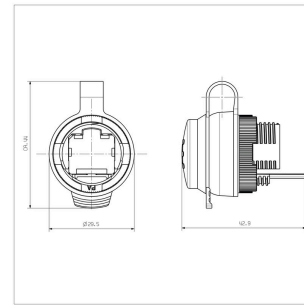
Connector standard	IEC 61076-3-107	Certificate no. (cULus)	E316369
--------------------	-----------------	-------------------------	---------

Classifications

ETIM 8.0	EC001031	ETIM 9.0	EC001031
ETIM 10.0	EC001031	ECLASS 14.0	27-18-28-92
ECLASS 15.0	27-18-28-92		

Drawings

Dimensioned drawing



Installation cut-out

