

PWR173220L

Weidmüller Interface GmbH & Co. KG

Klingenbergstraße 26

D-32758 Detmold

Germany

www.weidmueller.com

Product image



Similar to illustration

Our small industrial contactors of the PWR are particularly suitable for switching larger load currents.

- 1 NO contact (30 A) and 2 NO contacts (25 A)
- AgSnO Contact material
- Double contact to increase contact opening
- Direct mounting on DIN rail TS35
- With integrated status LED

General ordering data

| | |
|------------|---|
| Version | D-SERIES PWR, Relay module, Number of contacts: 1, NO contact AgSnO, Rated control voltage: 220 V DC, Continuous current: 30 A, Screw connection, Test button available: No |
| Order No. | 1219520000 |
| Type | PWR173220L |
| GTIN (EAN) | 4032248998968 |
| Qty. | 10 items |

Technical data

Approvals

Approvals



| | |
|-------------------------|----------------------------|
| ROHS | Conform |
| UL File Number Search | UL Website |
| Certificate No. (cURus) | E312083 |

Dimensions and weights

| | | | |
|------------|---------|-----------------|-------------|
| Depth | 55 mm | Depth (inches) | 2.1654 inch |
| Height | 34 mm | Height (inches) | 1.3386 inch |
| Width | 50.5 mm | Width (inches) | 1.9882 inch |
| Net weight | 120 g | | |

Temperatures

| | | | |
|-----------------------|----------------|---------------------|--|
| Storage temperature | -25 °C...55 °C | Ambient temperature | -25 °C...55 °C |
| Operating temperature | | Humidity | 35...85 % rel. humidity, no condensation |

Environmental Product Compliance

| | |
|------------------------|-----------------------------|
| RoHS Compliance Status | Compliant without exemption |
| REACH SVHC | No SVHC above 0.1 wt% |

Rated data UL

| | |
|-------------------------|---------|
| Certificate No. (cURus) | E312083 |
|-------------------------|---------|

Control side

| | | | |
|-----------------------|-----------|------------------|----------------|
| Rated control voltage | 220 V DC | Rated current DC | 8.7 mA |
| Power rating | 1.9 W | Coil resistance | 25474 Ω ± 10 % |
| Status indicator | Green LED | | |

Load side

| | | | |
|---|----------------------|---|---------------|
| Rated switching voltage | 277 V AC | Continuous current | 30 A |
| Max. switching frequency at rated load | 0.1 Hz | Inrush current | 150 A / 50 ms |
| AC switching capacity (resistive), max. | 8300 VA | DC switching capacity (resistive), max. | 720 W @ 24 V |
| Switch-on delay | <20 ms | Switch-off delay | <10 ms |
| Contact type | 1 NO contact (AgSnO) | Min. switching power | 100 mA @ 12 V |

General data

| | | |
|--------------------------------------|--------------------------|------------------------|
| Mounting rail | TS 35 | |
| Test button available | No | |
| Mechanical switch position indicator | No | |
| Colour | beige | |
| UL94 flammability rating component | Component | Relay test button |
| | UL94 flammability rating | HB |
| | Component | Relay status indicator |
| | UL94 flammability rating | HB |
| | Component | Relay baseplate |

Technical data

| | |
|--------------------------|-------------|
| UL94 flammability rating | V-0 |
| Component | Relay cover |
| UL94 flammability rating | V-2 |

Insulation coordination

| | | | |
|---|-----------------|--|------------------|
| Rated voltage | 250 V | Pollution severity | 3 |
| Surge voltage category | III | Insulating material group | IIIa |
| Clearance and creepage distances for control side - load side | ≥ 5.5 mm | Dielectric strength for control side - load side | 4 kVeff / 1 min |
| Dielectric strength of open contact | 2 kVeff / 1 min | Impulse withstand voltage | 6 kV (1.2/50 µs) |
| Protection degree | IP10 | | |

Further details of approvals / standards

| | |
|-------------------------|---------|
| Certificate No. (cURus) | E312083 |
|-------------------------|---------|

Connection data (control side)

| | | | |
|---|---------------------|---|---------------------|
| Wire connection method (control side) | Screw connection | Min. rated connection clamping range (control side) | 0.5 mm ² |
| Max. rated connection clamping range (control side) | 2.5 mm ² | Min. tightening torque (control side) | 0.5 Nm |
| Max. tightening torque (control side) | 1.2 Nm | Blade size (control side) | Gr. PH2 |

Connection data (load side)

| | | | |
|--|-------------------|--|---------------------|
| Wire connection method (load side) | Screw connection | Min. rated connection clamping range (load side) | 0.5 mm ² |
| Max. rated connection clamping range (load side) | 4 mm ² | Min. tightening torque (load side) | 0.5 Nm |
| Max. tightening torque (load side) | 1.2 Nm | Blade size (load side) | Gr. PH2 |

Connection data

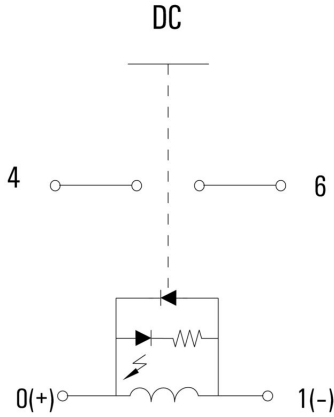
| | |
|------------------------|------------------|
| Wire connection method | Screw connection |
|------------------------|------------------|

Classifications

| | | | |
|-------------|-------------|-------------|-------------|
| ETIM 8.0 | EC001437 | ETIM 9.0 | EC001437 |
| ETIM 10.0 | EC001437 | ECLASS 14.0 | 27-37-16-01 |
| ECLASS 15.0 | 27-37-16-01 | | |

Drawings

Wiring diagram

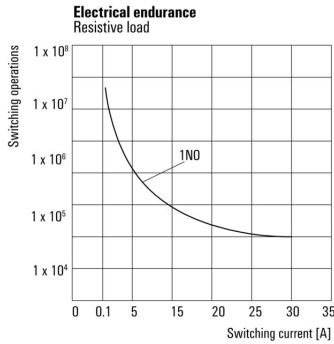


Graph



DC load limit curve Resistive load

Graph



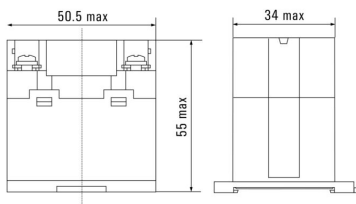
Electrical service life Resistive load

Graph



DC operational voltage range

Dimensional drawing



Miscellaneous



Type codes