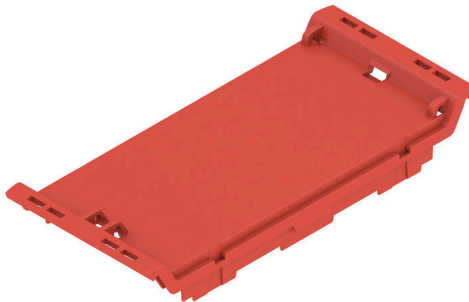


## CH20M45 F RD 2014

**Weidmüller Interface GmbH & Co. KG**  
 Klingenbergstraße 26  
 D-32758 Detmold  
 Germany

www.weidmueller.com

### Product image



The front element of the CH20M housing offers you numerous options for individual design and functionality. You can choose between various printing methods such as pad printing and laser engraving to implement your designs precisely and attractively.

Laser cut-outs for electronic components are also possible. Markers can also be used. The front element can be equipped with or without a hinged lid.

### General ordering data

Version	Front element, OMNIMATE Housing - series CH20M red, Front element, including preparation for flip cover, Width: 45 mm
Order No.	<a href="#">1209390000</a>
Type	CH20M45 F RD 2014
GTIN (EAN)	4032248990603
Qty.	30 items

## CH20M45 F RD 2014

Weidmüller Interface GmbH &amp; Co. KG

Klingenbergstraße 26

D-32758 Detmold

Germany

www.weidmueller.com

## Technical data

## Approvals

ROHS	Conform
------	---------

## Dimensions and weights

Depth	15.5 mm	Depth (inches)	0.6102 inch
Height	100 mm	Height (inches)	3.937 inch
Width	45 mm	Width (inches)	1.7716 inch
Net weight	3.63 g		

## Temperatures

Ambient temperature	-25 °C...85 °C	Operating temperature range	-40...120 °C
Humidity	5 - 93% rel. humidity, Tu = 40°C, no condensation		

## Environmental Product Compliance

RoHS Compliance Status	Compliant without exemption
REACH SVHC	No SVHC above 0.1 wt%

## Material data

UL 94 flammability rating	V-0	Insulating material	PA 66 GF 30
Insulating material group	I	Surface finish	untreated
Basic material	Plastic	Comparative Tracking Index (CTI)	600 ≤ CTI

## General data

Colour	red	Protection degree	IP20 in installed state
Colour chart (similar)	RAL 3020	Information regarding whole assembly, see referenced articles	<a href="#">CH20M45 B BK/OR 2010</a>
Encapsulation option	No		

## Component properties

Flip cover mountable	Yes	Marker integrateable	No
----------------------	-----	----------------------	----

## Individualization options

Customer specific cutouts possible	Yes	Customer specific labelling possible	Yes
Customer specific order process	See guideline under downloads	Alternative colours	More on request
Processing possibilities	Laser processing, Milling		

## Classifications

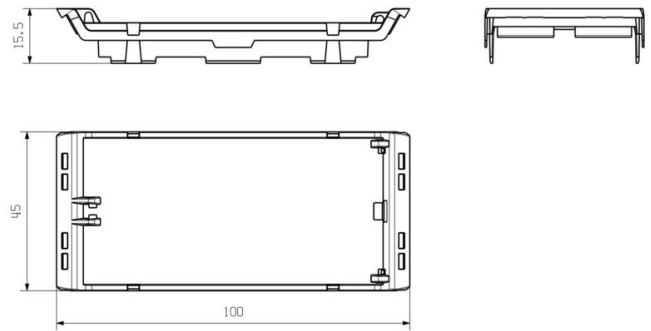
ETIM 8.0	EC001031	ETIM 9.0	EC001031
ETIM 10.0	EC001031	ECLASS 14.0	27-19-06-03
ECLASS 15.0	27-19-06-03		

**Drawings**

**Product image**



**Dimensioned drawing**



**CH20M45 F RD 2014**

**Weidmüller Interface GmbH & Co. KG**  
 Klingenbergstraße 26  
 D-32758 Detmold  
 Germany

www.weidmueller.com

**Counterpart**

**CH20M45 C - Flip Cover**



The Flip cover of the CH20M housing offers practical functions that support your application. It can be sealed, which ensures additional security and protection for your contents. You also have the option of printing on the cover using pad printing to clearly display important information or logos.

In addition, markers can be used to apply specific instructions or markings directly on the cover.

**General ordering data**

Type	CH20M45 C BK 1819	Version	
Order No.	<a href="#">1104430000</a>		Modular housing, OMNIMATE Housing - series CH20M black,
GTIN (EAN)	4032248878901		Transparent, Flip cover, Width: 45 mm
Qty.	30 ST		
Type	CH20M45 C TP 8089	Version	
Order No.	<a href="#">1104440000</a>		Modular housing, OMNIMATE Housing - series CH20M Transparent,
GTIN (EAN)	4032248878895		Flip cover, Width: 45 mm
Qty.	30 ST		