

## KTB QL 403015 S4E2

**Weidmüller Interface GmbH & Co. KG**  
 Klingenbergstraße 26  
 D-32758 Detmold  
 Germany

www.weidmueller.com

### Similar to illustration



Abbildung ähnlich

The Klippon® TB enclosure range provides excellent performance characteristics, even under the most difficult environmental conditions. In addition, it complies with the stricter requirements of potentially explosive atmospheres found specifically in the process or power generation industries. The Klippon® TB QL enclosure range offers further improvements to a product line that is already successfully leading the market.

The Klippon® TB QL enclosure series features the following advantages:

- Available in 19 sizes and 3 standard depths
- Equipped with up to 4 gland plates
- The gasket is protected against compression
- Quick-locking cover, comes with a slot as standard
- Improved temperature performance
- IP66 protection
- Earthing stud in the cover and base of the enclosure
- Welded mounting feet
- International approvals

### General ordering data

Version	Klippon TB QL (Terminal Box - Quarter Lock), Empty enclosure, stainless steel enclosure, Height: 400 mm, Width: 300 mm, Depth: 150 mm, Gland plates: Bottom, top, Basic material: Stainless steel 1.4404 (316L), electropolished, silver
Order No.	<a href="#">1200240000</a>
Type	KTB QL 403015 S4E2
GTIN (EAN)	4032248982684
Qty.	1 items

## Technical data

### Approvals

Approvals



ROHS	Conform
UL File Number Search	<a href="#">UL Website</a>
Certificate no. (cULus)	E243298

### Dimensions and weights

Depth	150 mm	Depth (inches)	5.9055 inch
Height	400 mm	Height (inches)	15.748 inch
Width	300 mm	Width (inches)	11.811 inch
Mounting dimension - height	247 mm	Mounting dimension - width	326 mm
Net weight	9300 g		

### Temperatures

Operating temperature	-60 °C...135 °C	Note: room temperature (service)	Limited to IP66 protection when used in temperatures greater than 105 °C.
-----------------------	-----------------	----------------------------------	---

### Environmental Product Compliance

RoHS Compliance Status	Compliant with exemption
RoHS Exemption (if applicable/known)	6c
REACH SVHC	Lead 7439-92-1
SCIP	8d5fcdfe-c58e-44e1-a6b4-74d2bbccc9dd

### Cable glands, left

M63	0	M75	0
M12	29	M50	3
M16	16	M32	5
M25	6	M20	13
M40	4		

### Cable glands, right

M25	6	M63	0
M75	0	M16	16
M40	4	M50	3
M32	5	M20	13
M12	29		

### Cable glands, top/bottom

M20	11	M12	23
M63	0	M40	3

## KTB QL 403015 S4E2

**Weidmüller Interface GmbH & Co. KG**

Klingenbergstraße 26  
D-32758 Detmold  
Germany

www.weidmueller.com

## Technical data

M32	4	M25	5
M50	3	M75	0
M16	13		

### Certificate numbers enclosure

Certificate No. UL Haz.Loc.	E223792	Declaration of Conformity No. (DoC LVD)	DE PS261X 160412 001ISS03
Certificate No. UL Ord.Loc.	E243298	Certificate No. UL 508A	E223801
Attestation of Conformity No. (AoC)	DE PS261X 160309 001ISS06	Certificate No. UL Terminal Box	E223792
Certificate No. Electronic Box (NEPSI)	2020322303003289	Certificate no. empty enclosure (ECAS)	21-09-25241/ E21-09-053807
Certificate no. Terminal Box (KOSHA)	16-AV4BO-0245X	Certificate no. empty enclosure (INMETRO)	LMP 21.0016U
Certificate No. (DNV)	TAE000013S	Certificate no. Terminal Box (AEx)	E223792
Certificate No. (CCOE)	P461058_1	Certificate no. Terminal Box (ATEX)	IBExU14ATEX1050
Certificate no. empty enclosure (ATEX)	IBExU14ATEX1028 U	Certificate no. Terminal Box (INMETRO)	LMP 21.0017
Certificate no. (INMETRO)	IEX17.0021	Certificate no. Terminal Box (IECEX)	IECEXIBE14.0013
Certificate no. empty enclosure (IECEX)	IECEX IBE 14.0004U	Certificate No. (IECEX)	IECEXKEM10.0019
Certificate No. (ATEX)	KEMA10ATEX0047U	Approval conditions	ATEX, CCoE, DNV, IECEX, INMETRO, KC, NEPSI, CCC, UL AEx Class Div., UL AEx Class Zone, cULus
Certificate no. (cULus)	E243298		

### General information

Material thickness of cover	1.5 mm	Material thickness of flange	3 mm
Material thickness of enclosure	1.5 mm	Operating temperature, max.	135 °C
Operating temperature, min.	-60 °C	Lid attachment	Quarter-turn fastener with slotted insert
Standards	DIN EN 62208 - Empty enclosure standard, DIN EN 61373 Class 1B**, DIN EN 15085-2, EN 60079-0, EN 60079-7, EN 60079-31, IEC 60079-0, IEC 60079-7, IEC 60079-31	Surface finish	electropolished
Impact resistance	7 J ATEX version, 10 J version standard	AF size	10 mm
Protection degree	IP66	Basic material	Stainless steel 1.4404 (316L)
Seal material	Silicone	Integral fixing	4, 6 or 9 stud bolts M6 inner (female) thread
Enclosure attachment	4 welded-on mounting feet with 11 mm holes (2 slotted feet and 2 cross-shaped feet)	Note: protection class	If used in temperature ranges above 105 °C, IP protection is limited to IP 66.
Flange plate mounting	M6 hexagonal head screws 10 SW	Protection class (UL)	Type 3, Type 4X, Type 12
Gland plates	Bottom, top	Dimension of box	490x550x240
Access opening: width	241 mm	Opening angle lid	130.00 °
Overall dimensions	422 x 351 x 160	Flange plate	Yes
Max. payload	48 kg	Access opening: height	347 mm
Position PE bolts	Enclosure side C	Areas of use	Explosive risk zone, Process industry, Oil and gas industry, Chemical industry, Offshore, Onshore

**Technical data**

**Housing earth**

Earth, enclosure, internal      Welded-on M6 stainless-steel earth stud in enclosure body and lid.

**horizontal assembly**

WDU 10 / ZDU 10	2x21	WDU 16 / ZDU 16	2x18
WDU 2,5 / ZDU 2,5 / IDU 2,5	3x42	WDU 35 / ZDU 35	1x13
WDU 4 / ZDU 4	3x35	WDU 6 / ZDU 6	2x26

**vertical assembly**

WDU 10 / ZDU 10	1x32	WDU 16 / ZDU 16	1x26
WDU 2,5 / ZDU 2,5 / IDU 2,5	2x62	WDU 35 / ZDU 35	1x20
WDU 4 / ZDU 4	2x52	WDU 6 / ZDU 6	1x39

**Classifications**

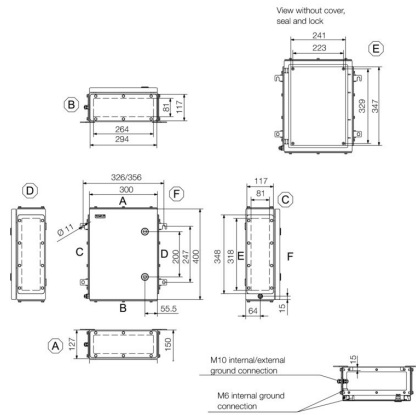
ETIM 8.0	EC002503	ETIM 9.0	EC002503
ETIM 10.0	EC002503	ECLASS 14.0	27-18-05-02
ECLASS 15.0	27-18-05-02		

KTB QL 403015 S4E2

Weidmüller Interface GmbH & Co. KG  
Klingenbergstraße 26  
D-32758 Detmold  
Germany

Drawings

www.weidmueller.com



## KTB QL 403015 S4E2

**Weidmüller Interface GmbH & Co. KG**

Klingenbergstraße 26  
D-32758 Detmold  
Germany

[www.weidmueller.com](http://www.weidmueller.com)

## Accessories

### 400 x 300mm



Integrate, expand and customise: The ideal expansion for every application

The consistent structure of accessories for the new Klippon® TB enclosure range means that you can easily adapt the enclosure to the specific requirements of each application.

Mounting plates

Mounting plates, with and without hole patterns, for longitudinal and transverse mounting of DIN mounting rails or components directly onto the mounting plate.

### General ordering data

Type	KTB MOPL 4030 MSZN	Version
Order No.	<a href="#">1193980000</a>	Klippon TB (Terminal Box), Mounting plate, Height: 345 mm, Width: 239 mm, Depth: 1.5 mm, Basic material: Sheet steel, galvanized,
GTIN (EAN)	4050118028584	silver
Qty.	1 ST	
Type	KTB MOPL 4030 S2N	Version
Order No.	<a href="#">1193850000</a>	Klippon TB (Terminal Box), Mounting plate, Height: 345 mm, Width: 239 mm, Depth: 1.5 mm, Basic material: Stainless steel 1.4301 (304), untreated, silver
GTIN (EAN)	4050118028454	
Qty.	1 ST	
Type	KTB MOPL 4030 MSZN H	Version
Order No.	<a href="#">2022420000</a>	Klippon TB (Terminal Box), Mounting plate, prepunched, Height: 345 mm, Width: 239 mm, Depth: 1.5 mm, Basic material: Sheet steel, galvanized, silver
GTIN (EAN)	4050118403268	
Qty.	1 ST	
Type	KTB MOPL 4030 S2N H	Version
Order No.	<a href="#">1257690000</a>	Klippon TB (Terminal Box), Mounting plate, prepunched, Height: 345 mm, Width: 239 mm, Depth: 1.5 mm, Basic material: Stainless steel 1.4301 (304), untreated, silver
GTIN (EAN)	4050118049350	
Qty.	1 ST	

### Gland plates without earthing studs



Integrate, expand and customise: The ideal expansion for every application

The consistent structure of accessories for the new Klippon® TB enclosure range means that you can easily adapt the enclosure to the specific requirements of each application.

Flange plates

Flange plates in two thicknesses, for easy replacement of pre-assembl

### General ordering data

Type	KTB GP XX3015 AB S4	Version
Order No.	<a href="#">1281030000</a>	Klippon TB (Terminal Box), flange plate, straight, Height: 294 mm, Width: 117 mm, Depth: 3 mm, Gland plates: top, Bottom, Basic material: Stainless steel 1.4404, Stainless steel 1.4404 (316L), electropolished, silver
GTIN (EAN)	4050118072013	
Qty.	1 ST	

## KTB QL 403015 S4E2

**Weidmüller Interface GmbH & Co. KG**  
 Klingenbergstraße 26  
 D-32758 Detmold  
 Germany

www.weidmuller.com

## Accessories

## Gland plates made out of stainless steel - 6 mm



Integrate, expand and customise: The ideal expansion for every application

The consistent structure of accessories for the new Klippon® TB enclosure range means that you can easily adapt the enclosure to the specific requirements of each application.

Flange plates

Flange plates in two thicknesses, for easy replacement of pre-assembl

## General ordering data

Type	KTB GP XX3015 AB S4 6MM	Version
Order No.	<a href="#">1256430000</a>	Klippon TB (Terminal Box), flange plate, straight, Height: 294 mm,
GTIN (EAN)	4050118093834	Width: 117 mm, Depth: 6 mm, Gland plates: top, Bottom, Basic
Qty.	1 ST	material: Stainless steel 1.4404 (316L), electropolished, silver

## Gland plates with earthing studs



Integrate, expand and customise: The ideal expansion for every application

The consistent structure of accessories for the new Klippon® TB enclosure range means that you can easily adapt the enclosure to the specific requirements of each application.

Flange plates

Flange plates in two thicknesses, for easy replacement of pre-assembl

## General ordering data

Type	KTB GP XX3015 AB S4 PE	Version
Order No.	<a href="#">2023320000</a>	Klippon TB (Terminal Box), flange plate, straight, Height: 294 mm,
GTIN (EAN)	4050118403879	Width: 117 mm, Depth: 3 mm, Gland plates: top, Bottom, Basic
Qty.	1 ST	material: Stainless steel 1.4404, Stainless steel 1.4404 (316L), electropolished, silver

## Stainless steel 1.4301



Integrate, expand and customise: The ideal expansion for every application

The consistent structure of accessories for the new Klippon® TB enclosure range means that you can easily adapt the enclosure to the specific requirements of each application.

Rain Covers

The rain cover provides an ideal, additional level of protection for the enclosure if it is installed in unusual climatic zones with, for instance, very heavy rainfall or extreme levels of direct sunlight.

## KTB QL 403015 S4E2

**Weidmüller Interface GmbH & Co. KG**  
 Klingenbergstraße 26  
 D-32758 Detmold  
 Germany

www.weidmueller.com

## Accessories

### General ordering data

Type	KTB RNHD 403015 R	Version
Order No.	<a href="#">1281430000</a>	Klippon TB (Terminal Box), Rain hood, Height: 53.4 mm, Width: 305 mm, Depth: 160.5 mm, Basic material: Stainless steel 1.4301, Mirror polished, silver
GTIN (EAN)	4050118071962	
Qty.	1 ST	

### Type label holder



**Integrate, expand and customise:** The ideal expansion for every application

The consistent structure of accessories for the new Klippon® TB enclosure range means that you can easily adapt the enclosure to the specific requirements of each application.

**Nameplate holders**

There are a variety of designed label holders available for prominent display as required and for additional nameplates as needed.

### General ordering data

Type	TPSDHA KTB 100X25 S2 2R	Version
Order No.	<a href="#">1257640000</a>	Klippon TB (Terminal Box), Ratings plate holder, Riveted, Height: 25 mm, Width: 141 mm, Depth: 16.5 mm, Basic material: Stainless steel 1.4301, Stainless steel 1.4301 (304), Mirror polished, silver
GTIN (EAN)	4050118070354	
Qty.	1 ST	
Type	TPSDHA KTB 130X50 S2 R	Version
Order No.	<a href="#">1283450000</a>	Klippon TB (Terminal Box), Ratings plate holder, Riveted, Height: 50 mm, Width: 171 mm, Depth: 16.5 mm, Basic material: Stainless steel 1.4301, Stainless steel 1.4301 (304), Mirror polished, silver
GTIN (EAN)	4050118073621	
Qty.	1 ST	
Type	TPSDHA KTB 70X70M3 S2 R	Version
Order No.	<a href="#">1279320000</a>	Klippon TB (Terminal Box), Ratings plate holder, Riveted, Height: 70 mm, Width: 70 mm, Depth: 20 mm, Basic material: Stainless steel 1.4301, Stainless steel 1.4301 (304), Mirror polished, silver
GTIN (EAN)	4050118070101	
Qty.	1 ST	

### Closure elements



**Integrate, expand and customise:** The ideal expansion for every application

The consistent structure of accessories for the new Klippon® TB enclosure range means that you can easily adapt the enclosure to the specific requirements of each application.

**Sealing systems**

There are different closure systems available for the safe and orderly sealing of the enclosure. There are padlocks for the Klippon® TB MH enclosures and a variety of lock inserts for the Klippon® TB QL enclosures.

### General ordering data

Type	KTB QLH S4 SLS	Version
Order No.	<a href="#">1191610000</a>	Klippon TB (Terminal Box), Closure element, Basic material: Stainless steel 1.4404, untreated, silver
GTIN (EAN)	4050118137965	
Qty.	50 ST	

## KTB QL 403015 S4E2

**Weidmüller Interface GmbH & Co. KG**

Klingenbergstraße 26  
D-32758 Detmold  
Germany

[www.weidmueller.com](http://www.weidmueller.com)

## Accessories

Type	KTB QLL S2 DB3	Version
Order No.	<a href="#">1191590000</a>	Klippon TB (Terminal Box), Closure element, Basic material: Stainless
GTIN (EAN)	4050118134285	steel 1.4301, untreated, silver
Qty.	50 ST	
Type	KTB QLL S2 SLS	Version
Order No.	<a href="#">1191600000</a>	Klippon TB (Terminal Box), Closure element, Basic material: Stainless
GTIN (EAN)	4050118137989	steel 1.4301, untreated, silver
Qty.	10 ST	

## Installation material



Integrate, expand and customise - the perfect supplement to every application

The fully structured range of system accessories for the new Klippon® TB enclosure series allows you to easily adapt the enclosures to meet the specific requirements of every application.

**Mounting hardware kits**

Mounting hardware kits are available for quick and easy installation of type label holders, document holders and rain hoods.

The label fastening set – SD is required to install a plastic (Trafolyte) ID or type label. With the aid of this set can you mount the ID or type label directly on the enclosure cover. The label fastening set has been specially developed for this purpose. Only by using this fastening set can you ensure that there will be no leaks into the enclosure or damage to the label.

The universal fastening set – TPSD has been developed to enable secure and quick installation of type label holders, rain covers or document holders, for example. By using this fastening set, the risk of leaks can be minimised, if not avoided.

## General ordering data

Type	SD FIXING SET	Version
Order No.	<a href="#">1285200000</a>	Klippon TB (Terminal Box), Identification plate fixing set, Height: 12
GTIN (EAN)	4050118075472	mm, Width: 12 mm, Depth: 16.4 mm, Basic material: Stainless steel,
Qty.	1 ST	rust-proof, untreated, silver
Type	TPSD FIXING SET KTB	Version
Order No.	<a href="#">1252190000</a>	Klippon TB (Terminal Box), Type plate fixings set, Basic material:
GTIN (EAN)	4050118043969	Stainless steel, rust-proof, untreated, silver
Qty.	20 ST	

## KTB QL 403015 S4E2

**Weidmüller Interface GmbH & Co. KG**  
 Klingenbergstraße 26  
 D-32758 Detmold  
 Germany

www.weidmueller.com

## Accessories

### Document holders



Integrate, expand and customise - the perfect supplement to every application

The fully structured range of system accessories for the new Klippon® TB enclosure series allows you to easily adapt the enclosures to meet the specific requirements of every application.

**Document holders**

Document holders for the proper storage of documents in the enclosure

### General ordering data

Type	DOHA KTB A6 S2 R	Version	
Order No.	<a href="#">1252780000</a>		Klippon TB (Terminal Box), Document holders, Riveted, Height: 110
GTIN (EAN)	4050118045512		mm, Width: 130 mm, Depth: 20 mm, Basic material: Stainless steel
Qty.	1 ST		1.4301, Stainless steel 1.4301 (304), Mirror polished, silver

### Earthing stud



Integrate, expand and customise: The ideal expansion for every application

The consistent structure of accessories for the new Klippon® TB enclosure range means that you can easily adapt the enclosure to the specific requirements of each application.

**Earthing bolt**

Earthing bolts to exchange as a complete component in two versions – brass and stainless steel.

### General ordering data

Type	PEBZ M10 KTB BR SET	Version	
Order No.	<a href="#">1192680000</a>		Klippon TB (Terminal Box), Earthing stud, Miscellaneous, Height: 21 mm, Width: 21 mm, Depth: 48.7 mm, Basic material: Brass, untreated, silver
GTIN (EAN)	4032248974641		
Qty.	1 ST		
Type	PEBZ M10 KTB S4 SET	Version	
Order No.	<a href="#">1192690000</a>		Klippon TB (Terminal Box), Earthing stud, Miscellaneous, Height: 21 mm, Width: 21 mm, Depth: 48.7 mm, Basic material: Stainless steel
GTIN (EAN)	4032248974658		
Qty.	1 ST		1.4404 (316L), untreated, silver

## KTB QL 403015 S4E2

**Weidmüller Interface GmbH & Co. KG**  
 Klingenbergstraße 26  
 D-32758 Detmold  
 Germany

www.weidmueller.com

## Accessories

### Grounding strap

The fully structured range of system accessories for the new Klippon® TB enclosure series allows you to easily adapt the enclosures to meet the specific requirements of every application. The following options are available:

- Closure Elements
- Document holders
- Earthing stud
- Gland plates
- Installation material
- Mounting plates
- Rain hoods
- Spacer
- Terminal rails
- Type label holder

#### General ordering data

Type	PECD WIRE 6/200/D6 SET	Version
Order No.	<a href="#">2475490000</a>	Klippon TB (Terminal Box), Grounding strap, Ssrewed, Basic material:
GTIN (EAN)	4050118487206	Steel, Green/yellow
Qty.	1 ST	

### Stainless steel 1.4404 (316L)



Integrate, expand and customise: The ideal expansion for every application

The consistent structure of accessories for the new Klippon® TB enclosure range means that you can easily adapt the enclosure to the specific requirements of each application.

#### Rain Covers

The rain cover provides an ideal, additional level of protection for the enclosure if it is installed in unusual climatic zones with, for instance, very heavy rainfall or extreme levels of direct sunlight.

#### General ordering data

Type	KTB RNHD XX3015 S4E R	Version
Order No.	<a href="#">1314170000</a>	Klippon TB (Terminal Box), Rain hood, Height: 53.4 mm, Width: 305
GTIN (EAN)	4050118117479	mm, Depth: 160.5 mm, Basic material: Stainless steel 1.4404 (316L),
Qty.	1 ST	electropolished, silver

### Depth 7.5 mm



Integrate, expand and customise: The ideal expansion for every application

The consistent structure of accessories for the new Klippon® TB enclosure range means that you can easily adapt the enclosure to the specific requirements of each application.

#### Terminal rails

The mounting rails are available in two sizes for mounting DIN rails (e.g. electronics, terminals) components in the enclosures.

## KTB QL 403015 S4E2

**Weidmüller Interface GmbH & Co. KG**  
 Klingenbergstraße 26  
 D-32758 Detmold  
 Germany

www.weidmueller.com

## Accessories

### General ordering data

Type	TS35X7.5 ST KTB4030 HOR	Version	
Order No.	<a href="#">8000006723</a>	Rail, TS 35, TS 35 x 7.5, Width: 239 mm, without slot, Steel,	
GTIN (EAN)	4050118652918	galvanized, chromium-plated	
Qty.	20 ST		
Type	TS35X7.5 ST KTB4030 VER	Version	
Order No.	<a href="#">8000006712</a>	Rail, TS 35, TS 35 x 7.5, Width: 345 mm, without slot, Steel,	
GTIN (EAN)	4050118652857	galvanized, chromium-plated	
Qty.	20 ST		

### Mounting plates



Mounting plates, with and without hole patterns, for longitudinal and transverse mounting of DIN mounting rails or components directly onto the mounting plate.

### General ordering data

Type	GFSC M5X10 TX20 SET	Version	
Order No.	<a href="#">1274150000</a>	Klippon EB (Essential Box), Mounting screw, Height: 13.3 mm, Width:	
GTIN (EAN)	4050118063820	8.5 mm, Depth: 8.5 mm, Basic material: Steel, galvanized, galvanic	
Qty.	1 ST	zinc plated and passivated, silver	

### Depth 15 mm



Integrate, expand and customise: The ideal expansion for every application

The consistent structure of accessories for the new Klippon® TB enclosure range means that you can easily adapt the enclosure to the specific requirements of each application.

Terminal rails

The mounting rails are available in two sizes for mounting DIN rails (e.g. electronics, terminals) components in the enclosures.

### General ordering data

Type	TS35X15 ST KTB4030 HOR	Version	
Order No.	<a href="#">8000073115</a>	Rail, TS 35, TS 35 x 15, Width: 239 mm, without slot, Steel, galvanic	
GTIN (EAN)	4064675340683	zinc plated and passivated	
Qty.	20 ST		
Type	TS35X15 ST KTB4030 VER	Version	
Order No.	<a href="#">8000073116</a>	Rail, TS 35, TS 35 x 15, Width: 345 mm, without slot, Steel, galvanic	
GTIN (EAN)	4064675340706	zinc plated and passivated	
Qty.	20 ST		

**Accessories**

**Installation material**



Integrate, expand and customise - the perfect supplement to every application

The fully structured range of system accessories for the new Klippon® TB enclosure series allows you to easily adapt the enclosures to meet the specific requirements of every application.

**Mounting hardware kits**

Mounting hardware kits are available for quick and easy installation of type label holders, document holders and rain hoods.

The label fastening set – SD is required to install a plastic (Trafolyte) ID or type label. With the aid of this set can you mount the ID or type label directly on the enclosure cover. The label fastening set has been specially developed for this purpose. Only by using this fastening set can you ensure that there will be no leaks into the enclosure or damage to the label.

The universal fastening set – TPSD has been developed to enable secure and quick installation of type label holders, rain covers or document holders, for example. By using this fastening set, the risk of leaks can be minimised, if not avoided.

**General ordering data**

Type	FKSC M6X8 D9/SW3	Version	
Order No.	<a href="#">0642600000</a>	Klippon TB (Terminal Box), Mounting screw, Basic material: Steel	
GTIN (EAN)	4008190058258		
Qty.	50 ST		