

KTB QL 403015 S4E0

Weidmüller Interface GmbH & Co. KG
 Klingenbergstraße 26
 D-32758 Detmold
 Germany

www.weidmueller.com

Similar to illustration



Abbildung ähnlich

The Klippon® TB enclosure range provides excellent performance characteristics, even under the most difficult environmental conditions. In addition, it complies with the stricter requirements of potentially explosive atmospheres found specifically in the process or power generation industries. The Klippon® TB QL enclosure range offers further improvements to a product line that is already successfully leading the market.

The Klippon® TB QL enclosure series features the following advantages:

- Available in 19 sizes and 3 standard depths
- Equipped with up to 4 gland plates
- The gasket is protected against compression
- Quick-locking cover, comes with a slot as standard
- Improved temperature performance
- IP66 protection
- Earthing stud in the cover and base of the enclosure
- Welded mounting feet
- International approvals

General ordering data

Version	Klippon TB QL (Terminal Box - Quarter Lock), Empty enclosure, stainless steel enclosure, Height: 400 mm, Width: 300 mm, Depth: 150 mm, Basic material: Stainless steel 1.4404 (316L), electropolished, silver
Order No.	1200220000
Type	KTB QL 403015 S4E0
GTIN (EAN)	4032248983018
Qty.	1 items

KTB QL 403015 S4E0

Weidmüller Interface GmbH & Co. KG
 Klingenbergstraße 26
 D-32758 Detmold
 Germany

www.weidmueller.com

Technical data

Approvals

Approvals



ROHS	Conform
UL File Number Search	UL Website
Certificate no. (cULus)	E243298

Dimensions and weights

Depth	150 mm	Depth (inches)	5.9055 inch
Height	400 mm	Height (inches)	15.748 inch
Width	300 mm	Width (inches)	11.811 inch
Mounting dimension - height	247 mm	Mounting dimension - width	326 mm
Net weight	8035 g		

Temperatures

Operating temperature	-60 °C...135 °C	Note: room temperature (service)	Limited to IP66 protection when used in temperatures greater than 105 °C.
-----------------------	-----------------	----------------------------------	---

Environmental Product Compliance

RoHS Compliance Status	Compliant with exemption
RoHS Exemption (if applicable/known)	6c
REACH SVHC	Lead 7439-92-1
SCIP	8d5fcdfe-c58e-44e1-a6b4-74d2bbccc9dd

Cable glands, left

M63	0	M75	0
M12	29	M50	3
M16	16	M32	5
M25	6	M20	13
M40	4		

Cable glands, right

M25	6	M63	0
M75	0	M16	16
M40	4	M50	3
M32	5	M20	13
M12	29		

Cable glands, top/bottom

M20	11	M12	23
M63	0	M40	3

KTB QL 403015 S4E0

Weidmüller Interface GmbH & Co. KG

Klingenbergstraße 26
D-32758 Detmold
Germany

www.weidmueller.com

Technical data

M32	4	M25	5
M50	3	M75	0
M16	13		

Certificate numbers enclosure

Certificate No. UL Haz.Loc.	E223792	Declaration of Conformity No. (DoC LVD)	DE PS261X 160412 001ISS03
Certificate No. UL Ord.Loc.	E243298	Certificate No. UL 508A	E223801
Attestation of Conformity No. (AoC)	DE PS261X 160309 001ISS06	Certificate No. UL Terminal Box	E223792
Certificate No. Electronic Box (NEPSI)	2020322303003289	Certificate no. empty enclosure (ECAS)	21-09-25241/ E21-09-053807
Certificate no. Terminal Box (KOSHA)	16-AV4BO-0245X	Certificate no. empty enclosure (INMETRO)	LMP 21.0016U
Certificate No. (DNV)	TAE000013S	Certificate no. Terminal Box (AEx)	E223792
Certificate No. (CCOE)	P461058_1	Certificate no. Terminal Box (ATEX)	IBExU14ATEX1050
Certificate no. empty enclosure (ATEX)	IBExU14ATEX1028 U	Certificate no. Terminal Box (INMETRO)	LMP 21.0017
Certificate no. (INMETRO)	IEX13.0006U	Certificate no. Terminal Box (IECEX)	IECEXIBE14.0013
Certificate no. empty enclosure (IECEX)	IECEX IBE 14.0004U	Certificate No. (IECEX)	IECEXKEM10.0020
Certificate No. (ATEX)	KEMA10ATEX0046U	Approval conditions	ATEX, CCeE, DNV, IECEX, INMETRO, KC, NEPSI, CCC, UL AEx Class Div., UL AEx Class Zone, cULus
Certificate no. (cULus)	E243298		

General information

Material thickness of cover	1.5 mm	Material thickness of enclosure	1.5 mm
Operating temperature, max.	135 °C	Operating temperature, min.	-60 °C
Lid attachment	Quarter-turn fastener with slotted insert	Standards	DIN EN 62208 - Empty enclosure standard, DIN EN 61373 Class 1B**, DIN EN 15085-2, EN 60079-0, EN 60079-7, EN 60079-31, IEC 60079-0, IEC 60079-7, IEC 60079-31
Surface finish	electropolished	Impact resistance	7 J ATEX version, 10 J version standard
Protection degree	IP66	Basic material	Stainless steel 1.4404 (316L)
Seal material	Silicone	Integral fixing	4, 6 or 9 stud bolts M6 inner (female) thread
Enclosure attachment	4 welded-on mounting feet with 11 mm holes (2 slotted feet and 2 cross-shaped feet)	Note: protection class	If used in temperature ranges above 105 °C, IP protection is limited to IP 66.
Protection class (UL)	Type 3, Type 4X, Type 12	Dimension of box	490x550x240
Access opening: width	241 mm	Opening angle lid	130.00 °
Overall dimensions	400 x 351 x 160	Flange plate	No
Max. payload	48 kg	Access opening: height	347 mm
Position PE bolts	Enclosure side C	Areas of use	Explosive risk zone, Process industry, Oil and gas industry, Chemical industry, Offshore, Onshore

KTB QL 403015 S4E0

Weidmüller Interface GmbH & Co. KG
 Klingenbergstraße 26
 D-32758 Detmold
 Germany

www.weidmueller.com

Technical data

Housing earth

Earth, enclosure, internal	Welded-on M6 stainless-steel earth stud in enclosure body and lid.
----------------------------	--

horizontal assembly

WDU 10 / ZDU 10	2x21	WDU 16 / ZDU 16	2x18
WDU 2,5 / ZDU 2,5 / IDU 2,5	3x42	WDU 35 / ZDU 35	1x13
WDU 4 / ZDU 4	3x35	WDU 6 / ZDU 6	2x26

vertical assembly

WDU 10 / ZDU 10	1x32	WDU 16 / ZDU 16	1x26
WDU 2,5 / ZDU 2,5 / IDU 2,5	2x62	WDU 35 / ZDU 35	1x20
WDU 4 / ZDU 4	2x52	WDU 6 / ZDU 6	1x39

Classifications

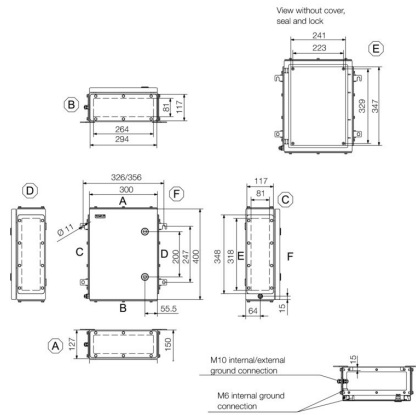
ETIM 8.0	EC002503	ETIM 9.0	EC002503
ETIM 10.0	EC002503	ECLASS 14.0	27-18-05-02
ECLASS 15.0	27-18-05-02		

KTB QL 403015 S4E0

Weidmüller Interface GmbH & Co. KG
Klingenbergstraße 26
D-32758 Detmold
Germany

Drawings

www.weidmueller.com



KTB QL 403015 S4E0

Weidmüller Interface GmbH & Co. KG
 Klingenbergstraße 26
 D-32758 Detmold
 Germany

www.weidmueller.com

Accessories

400 x 300mm



Integrate, expand and customise: The ideal expansion for every application

The consistent structure of accessories for the new Klippon® TB enclosure range means that you can easily adapt the enclosure to the specific requirements of each application.

Mounting plates

Mounting plates, with and without hole patterns, for longitudinal and transverse mounting of DIN mounting rails or components directly onto the mounting plate.

General ordering data

Type	KTB MOPL 4030 MSZN	Version
Order No.	1193980000	Klippon TB (Terminal Box), Mounting plate, Height: 345 mm, Width:
GTIN (EAN)	4050118028584	239 mm, Depth: 1.5 mm, Basic material: Sheet steel, galvanized,
Qty.	1 ST	silver
Type	KTB MOPL 4030 S2N	Version
Order No.	1193850000	Klippon TB (Terminal Box), Mounting plate, Height: 345 mm, Width:
GTIN (EAN)	4050118028454	239 mm, Depth: 1.5 mm, Basic material: Stainless steel 1.4301
Qty.	1 ST	(304), untreated, silver
Type	KTB MOPL 4030 MSZN H	Version
Order No.	2022420000	Klippon TB (Terminal Box), Mounting plate, prepunched, Height: 345
GTIN (EAN)	4050118403268	mm, Width: 239 mm, Depth: 1.5 mm, Basic material: Sheet steel,
Qty.	1 ST	galvanized, silver
Type	KTB MOPL 4030 S2N H	Version
Order No.	1257690000	Klippon TB (Terminal Box), Mounting plate, prepunched, Height: 345
GTIN (EAN)	4050118049350	mm, Width: 239 mm, Depth: 1.5 mm, Basic material: Stainless steel
Qty.	1 ST	1.4301 (304), untreated, silver

Stainless steel 1.4301



Integrate, expand and customise: The ideal expansion for every application

The consistent structure of accessories for the new Klippon® TB enclosure range means that you can easily adapt the enclosure to the specific requirements of each application.

Rain Covers

The rain cover provides an ideal, additional level of protection for the enclosure if it is installed in unusual climatic zones with, for instance, very heavy rainfall or extreme levels of direct sunlight.

General ordering data

Type	KTB RNHD 403015 R	Version
Order No.	1281430000	Klippon TB (Terminal Box), Rain hood, Height: 53.4 mm, Width: 305
GTIN (EAN)	4050118071962	mm, Depth: 160.5 mm, Basic material: Stainless steel 1.4301, Mirror
Qty.	1 ST	polished, silver

KTB QL 403015 S4E0

Weidmüller Interface GmbH & Co. KG
Klingenbergstraße 26
D-32758 Detmold
Germany

www.weidmueller.com

Accessories

Type label holder



Integrate, expand and customise: The ideal expansion for every application

The consistent structure of accessories for the new Klippon® TB enclosure range means that you can easily adapt the enclosure to the specific requirements of each application.

Nameplate holders

There are a variety of designed label holders available for prominent display as required and for additional nameplates as needed.

General ordering data

Type	TPSDHA KTB 100X25 S2 2R	Version
Order No.	1257640000	Klippon TB (Terminal Box), Ratings plate holder, Riveted, Height: 25
GTIN (EAN)	4050118070354	mm, Width: 141 mm, Depth: 16.5 mm, Basic material: Stainless steel
Qty.	1 ST	1.4301, Stainless steel 1.4301 (304), Mirror polished, silver
Type	TPSDHA KTB 130X50 S2 R	Version
Order No.	1283450000	Klippon TB (Terminal Box), Ratings plate holder, Riveted, Height: 50
GTIN (EAN)	4050118073621	mm, Width: 171 mm, Depth: 16.5 mm, Basic material: Stainless steel
Qty.	1 ST	1.4301, Stainless steel 1.4301 (304), Mirror polished, silver
Type	TPSDHA KTB 70X70M3 S2 R	Version
Order No.	1279320000	Klippon TB (Terminal Box), Ratings plate holder, Riveted, Height: 70
GTIN (EAN)	4050118070101	mm, Width: 70 mm, Depth: 20 mm, Basic material: Stainless steel
Qty.	1 ST	1.4301, Stainless steel 1.4301 (304), Mirror polished, silver

Closure elements



Integrate, expand and customise: The ideal expansion for every application

The consistent structure of accessories for the new Klippon® TB enclosure range means that you can easily adapt the enclosure to the specific requirements of each application.

Sealing systems

There are different closure systems available for the safe and orderly sealing of the enclosure. There are padlocks for the Klippon® TB MH enclosures and a variety of lock inserts for the Klippon® TB QL enclosures.

General ordering data

Type	KTB QLH S4 SLS	Version
Order No.	1191610000	Klippon TB (Terminal Box), Closure element, Basic material: Stainless
GTIN (EAN)	4050118137965	steel 1.4404, untreated, silver
Qty.	50 ST	
Type	KTB QLL S2 DB3	Version
Order No.	1191590000	Klippon TB (Terminal Box), Closure element, Basic material: Stainless
GTIN (EAN)	4050118134285	steel 1.4301, untreated, silver
Qty.	50 ST	
Type	KTB QLL S2 SLS	Version
Order No.	1191600000	Klippon TB (Terminal Box), Closure element, Basic material: Stainless
GTIN (EAN)	4050118137989	steel 1.4301, untreated, silver
Qty.	10 ST	

Accessories

Installation material



Integrate, expand and customise - the perfect supplement to every application

The fully structured range of system accessories for the new Klippon® TB enclosure series allows you to easily adapt the enclosures to meet the specific requirements of every application.

Mounting hardware kits

Mounting hardware kits are available for quick and easy installation of type label holders, document holders and rain hoods.

The label fastening set – SD is required to install a plastic (Trafolyte) ID or type label. With the aid of this set can you mount the ID or type label directly on the enclosure cover. The label fastening set has been specially developed for this purpose. Only by using this fastening set can you ensure that there will be no leaks into the enclosure or damage to the label.

The universal fastening set – TPSD has been developed to enable secure and quick installation of type label holders, rain covers or document holders, for example. By using this fastening set, the risk of leaks can be minimised, if not avoided.

General ordering data

Type	SD FIXING SET	Version
Order No.	1285200000	Klippon TB (Terminal Box), Identification plate fixing set, Height: 12
GTIN (EAN)	4050118075472	mm, Width: 12 mm, Depth: 16.4 mm, Basic material: Stainless steel,
Qty.	1 ST	rust-proof, untreated, silver
Type	TPSD FIXING SET KTB	Version
Order No.	1252190000	Klippon TB (Terminal Box), Type plate fixings set, Basic material:
GTIN (EAN)	4050118043969	Stainless steel, rust-proof, untreated, silver
Qty.	20 ST	

Document holders



Integrate, expand and customise - the perfect supplement to every application

The fully structured range of system accessories for the new Klippon® TB enclosure series allows you to easily adapt the enclosures to meet the specific requirements of every application.

Document holders

Document holders for the proper storage of documents in the enclosure

General ordering data

Type	DOHA KTB A6 S2 R	Version
Order No.	1252780000	Klippon TB (Terminal Box), Document holders, Riveted, Height: 110
GTIN (EAN)	4050118045512	mm, Width: 130 mm, Depth: 20 mm, Basic material: Stainless steel
Qty.	1 ST	1.4301, Stainless steel 1.4301 (304), Mirror polished, silver

KTB QL 403015 S4E0

Weidmüller Interface GmbH & Co. KG
 Klingenbergstraße 26
 D-32758 Detmold
 Germany

Accessories

www.weidmueller.com

Earthing stud



Integrate, expand and customise: The ideal expansion for every application

The consistent structure of accessories for the new Klippon® TB enclosure range means that you can easily adapt the enclosure to the specific requirements of each application.

Earthing bolt

Earthing bolts to exchange as a complete component in two versions – brass and stainless steel.

General ordering data

Type	PEBZ M10 KTB BR SET	Version
Order No.	1192680000	Klippon TB (Terminal Box), Earthing stud, Miscellaneous, Height:
GTIN (EAN)	4032248974641	21 mm, Width: 21 mm, Depth: 48.7 mm, Basic material: Brass,
Qty.	1 ST	untreated, silver
Type	PEBZ M10 KTB S4 SET	Version
Order No.	1192690000	Klippon TB (Terminal Box), Earthing stud, Miscellaneous, Height: 21
GTIN (EAN)	4032248974658	mm, Width: 21 mm, Depth: 48.7 mm, Basic material: Stainless steel
Qty.	1 ST	1.4404 (316L), untreated, silver

Grounding strap

The fully structured range of system accessories for the new Klippon® TB enclosure series allows you to easily adapt the enclosures to meet the specific requirements of every application. The following options are available:

- Closure Elements
- Document holders
- Earthing stud
- Gland plates
- Installation material
- Mounting plates
- Rain hoods
- Spacer
- Terminal rails
- Type label holder

General ordering data

Type	PECD WIRE 6/200/D6 SET	Version
Order No.	2475490000	Klippon TB (Terminal Box), Grounding strap, Ssrewed, Basic material:
GTIN (EAN)	4050118487206	Steel, Green/yellow
Qty.	1 ST	

KTB QL 403015 S4E0

Weidmüller Interface GmbH & Co. KG
 Klingenbergstraße 26
 D-32758 Detmold
 Germany

www.weidmueller.com

Accessories

Stainless steel 1.4404 (316L)



Integrate, expand and customise: The ideal expansion for every application

The consistent structure of accessories for the new Klippon® TB enclosure range means that you can easily adapt the enclosure to the specific requirements of each application.

Rain Covers

The rain cover provides an ideal, additional level of protection for the enclosure if it is installed in unusual climatic zones with, for instance, very heavy rainfall or extreme levels of direct sunlight.

General ordering data

Type	KTB RNHD XX3015 S4E R	Version
Order No.	1314170000	Klippon TB (Terminal Box), Rain hood, Height: 53.4 mm, Width: 305
GTIN (EAN)	4050118117479	mm, Depth: 160.5 mm, Basic material: Stainless steel 1.4404 (316L),
Qty.	1 ST	electropolished, silver

Depth 7.5 mm



Integrate, expand and customise: The ideal expansion for every application

The consistent structure of accessories for the new Klippon® TB enclosure range means that you can easily adapt the enclosure to the specific requirements of each application.

Terminal rails

The mounting rails are available in two sizes for mounting DIN rails (e.g. electronics, terminals) components in the enclosures.

General ordering data

Type	TS35X7.5 ST KTB4030 HOR	Version
Order No.	8000006723	Rail, TS 35, TS 35 x 7.5, Width: 239 mm, without slot, Steel,
GTIN (EAN)	4050118652918	galvanized, chromium-plated
Qty.	20 ST	
Type	TS35X7.5 ST KTB4030 VER	Version
Order No.	8000006712	Rail, TS 35, TS 35 x 7.5, Width: 345 mm, without slot, Steel,
GTIN (EAN)	4050118652857	galvanized, chromium-plated
Qty.	20 ST	

Mounting plates



Mounting plates, with and without hole patterns, for longitudinal and transverse mounting of DIN mounting rails or components directly onto the mounting plate.

KTB QL 403015 S4E0

Weidmüller Interface GmbH & Co. KG
 Klingenbergstraße 26
 D-32758 Detmold
 Germany

www.weidmueller.com

Accessories

General ordering data

Type	GFSC M5X10 TX20 SET	Version
Order No.	1274150000	Klippon EB (Essential Box), Mounting screw, Height: 13.3 mm, Width:
GTIN (EAN)	4050118063820	8.5 mm, Depth: 8.5 mm, Basic material: Steel, galvanized, galvanic
Qty.	1 ST	zinc plated and passivated, silver

Depth 15 mm



Integrate, expand and customise: The ideal expansion for every application

The consistent structure of accessories for the new Klippon® TB enclosure range means that you can easily adapt the enclosure to the specific requirements of each application.

Terminal rails

The mounting rails are available in two sizes for mounting DIN rails (e.g. electronics, terminals) components in the enclosures.

General ordering data

Type	TS35X15 ST KTB4030 HOR	Version
Order No.	8000073115	Rail, TS 35, TS 35 x 15, Width: 239 mm, without slot, Steel, galvanic
GTIN (EAN)	4064675340683	zinc plated and passivated
Qty.	20 ST	
Type	TS35X15 ST KTB4030 VER	Version
Order No.	8000073116	Rail, TS 35, TS 35 x 15, Width: 345 mm, without slot, Steel, galvanic
GTIN (EAN)	4064675340706	zinc plated and passivated
Qty.	20 ST	

Installation material



Integrate, expand and customise - the perfect supplement to every application

The fully structured range of system accessories for the new Klippon® TB enclosure series allows you to easily adapt the enclosures to meet the specific requirements of every application.

Mounting hardware kits

Mounting hardware kits are available for quick and easy installation of type label holders, document holders and rain hoods.

The label fastening set – SD is required to install a plastic (Trafolyte) ID or type label. With the aid of this set can you mount the ID or type label directly on the enclosure cover. The label fastening set has been specially developed for this purpose. Only by using this fastening set can you ensure that there will be no leaks into the enclosure or damage to the label.

The universal fastening set – TPSD has been developed to enable secure and quick installation of type label holders, rain covers or document holders, for example. By using this fastening set, the risk of leaks can be minimised, if not avoided.

KTB QL 403015 S4E0

Weidmüller Interface GmbH & Co. KG
Klingenbergstraße 26
D-32758 Detmold
Germany

www.weidmueller.com

Accessories

General ordering data

Type	FKSC M6X8 D9/SW3	Version	
Order No.	064260000	Klippon TB (Terminal Box), Mounting screw, Basic material: Steel	
GTIN (EAN)	4008190058258		
Qty.	50 ST		