

## KTB QL 303015 S4E4

**Weidmüller Interface GmbH & Co. KG**  
 Klingenbergstraße 26  
 D-32758 Detmold  
 Germany

[www.weidmueller.com](http://www.weidmueller.com)

### Similar to illustration



Abbildung ähnlich

The Klippon® TB enclosure range provides excellent performance characteristics, even under the most difficult environmental conditions. In addition, it complies with the stricter requirements of potentially explosive atmospheres found specifically in the process or power generation industries. The Klippon® TB QL enclosure range offers further improvements to a product line that is already successfully leading the market.

The Klippon® TB QL enclosure series features the following advantages:

- Available in 19 sizes and 3 standard depths
- Equipped with up to 4 gland plates
- The gasket is protected against compression
- Quick-locking cover, comes with a slot as standard
- Improved temperature performance
- IP66 protection
- Earthing stud in the cover and base of the enclosure
- Welded mounting feet
- International approvals

### General ordering data

Version	Klippon TB QL (Terminal Box - Quarter Lock), Empty enclosure, stainless steel enclosure, Height: 306 mm, Width: 306 mm, Depth: 150 mm, Gland plates: Bottom, top, left, right, Basic material: Stainless steel 1.4404 (316L), electropolished, silver
Order No.	<a href="#">1200050000</a>
Type	KTB QL 303015 S4E4
GTIN (EAN)	4032248982943
Qty.	1 items

## KTB QL 303015 S4E4

**Weidmüller Interface GmbH & Co. KG**  
 Klingenbergstraße 26  
 D-32758 Detmold  
 Germany

www.weidmueller.com

## Technical data

### Approvals

Approvals



ROHS	Conform
UL File Number Search	<a href="#">UL Website</a>
Certificate no. (cULus)	E243298

### Dimensions and weights

Depth	150 mm	Depth (inches)	5.9055 inch
Height	306 mm	Height (inches)	12.0472 inch
Width	306 mm	Width (inches)	12.0472 inch
Mounting dimension - height	203 mm	Mounting dimension - width	362 mm
Net weight	7660 g		

### Temperatures

Operating temperature	-60 °C...135 °C	Note: room temperature (service)	Limited to IP66 protection when used in temperatures greater than 105 °C.
-----------------------	-----------------	----------------------------------	---

### Environmental Product Compliance

RoHS Compliance Status	Compliant with exemption
RoHS Exemption (if applicable/known)	6c
REACH SVHC	Lead 7439-92-1
SCIP	8d5fcdfe-c58e-44e1-a6b4-74d2bbccc9dd

### Cable glands, left

M63	0	M75	0
M12	20	M50	2
M16	11	M32	3
M25	4	M20	9
M40	3		

### Cable glands, right

M25	4	M63	0
M75	0	M16	11
M40	3	M50	2
M32	3	M20	9
M12	20		

### Cable glands, top/bottom

M20	11	M12	24
M63	0	M40	3

## KTB QL 303015 S4E4

**Weidmüller Interface GmbH & Co. KG**

Klingenbergstraße 26  
D-32758 Detmold  
Germany

www.weidmueller.com

## Technical data

M32	4	M25	5
M50	3	M75	0
M16	13		

### Certificate numbers enclosure

Certificate No. UL Haz.Loc.	E223792	Declaration of Conformatiy No. (DoC LVD)	DE PS261X 160412 001ISS03
Certificate No. UL Ord.Loc.	E243298	Certificate No. UL 508A	E223801
Attestation of Conformatiy No. (AoC)	DE PS261X 160309 001ISS06	Certificate No. UL Terminal Box	E223792
Certificate No. Electronic Box (NEPSI)	2020322303003289	Certificate no. empty enclosure (ECAS)	21-09-25241/ E21-09-053807
Certificate no. Terminal Box (KOSHA)	16-AV4BO-0245X	Certificate no. empty enclosure (INMETRO)	LMP 21.0016U
Certificate No. (DNV)	TAE000013S	Certificate no. Terminal Box (AEx)	E223792
Certificate No. (CCOE)	P461058_1	Certificate no. Terminal Box (ATEX)	IBExU14ATEX1050
Certificate no. empty enclosure (ATEX)	IBExU14ATEX1028 U	Certificate no. Terminal Box (INMETRO)	LMP 21.0017
Certificate no. (INMETRO)	IEX13.0007	Certificate no. Terminal Box (IECEX)	IECEXIBE14.0013
Certificate no. empty enclosure (IECEX)	IECEX IBE 14.0004U	Certificate No. (IECEX)	IECEXKEM10.0019
Certificate No. (ATEX)	KEMA10ATEX0050	Approval conditions	ATEX, CCoE, DNV, IECEX, INMETRO, KC, NEPSI, CCC, UL AEx Class Div., UL AEx Class Zone, cULus
Certificate no. (cULus)	E243298		

### General information

Material thickness of cover	1.5 mm	Material thickness of flange	3 mm
Material thickness of enclosure	1.5 mm	Operating temperature, max.	135 °C
Operating temperature, min.	-60 °C	Lid attachment	Quarter-turn fastener with slotted insert
Standards	DIN EN 62208 - Empty enclosure standard, DIN EN 61373 Class 1B**, DIN EN 15085-2, EN 60079-0, EN 60079-7, EN 60079-31, IEC 60079-0, IEC 60079-7, IEC 60079-31	Surface finish	electropolished
Impact resistance	7 J ATEX version, 10 J version standard	AF size	10 mm
Protection degree	IP66	Basic material	Stainless steel 1.4404 (316L)
Seal material	Silicone	Integral fixing	4, 6 or 9 stud bolts M6 inner (female) thread
Enclosure attachment	4 welded-on mounting feet with 11 mm holes (2 slotted feet and 2 cross-shaped feet)	Note: protection class	If used in temperature ranges above 105 °C, IP protection is limited to IP 66.
Flange plate mounting	M6 hexagonal head screws 10 SW	Protection class (UL)	Type 3, Type 4X, Type 12
Gland plates	Bottom, top, left, right	Dimension of box	460x500x240
Access opening: width	247 mm	Opening angle lid	130.00 °
Overall dimensions	328 x 387 x 160	Flange plate	Yes
Max. payload	37 kg	Access opening: height	253 mm
Position PE bolts	Enclosure side C	Areas of use	Explosive risk zone, Process industry, Oil and gas industry, Chemical industry, Offshore, Onshore

## KTB QL 303015 S4E4

**Weidmüller Interface GmbH & Co. KG**  
 Klingenbergstraße 26  
 D-32758 Detmold  
 Germany

## Technical data

[www.weidmueller.com](http://www.weidmueller.com)

### Housing earth

Earth, enclosure, internal	Welded-on M6 stainless-steel earth stud in enclosure body and lid.
----------------------------	--

### horizontal assembly

WDU 10 / ZDU 10	1x22	WDU 16 / ZDU 16	1x18
WDU 2,5 / ZDU 2,5 / IDU 2,5	2x43	WDU 35 / ZDU 35	1x13
WDU 4 / ZDU 4	2x36	WDU 6 / ZDU 6	2x27

### vertical assembly

WDU 10 / ZDU 10	1x22	WDU 16 / ZDU 16	1x19
WDU 2,5 / ZDU 2,5 / IDU 2,5	2x41	WDU 35 / ZDU 35	1x14
WDU 4 / ZDU 4	2x34	WDU 6 / ZDU 6	2x25

### Classifications

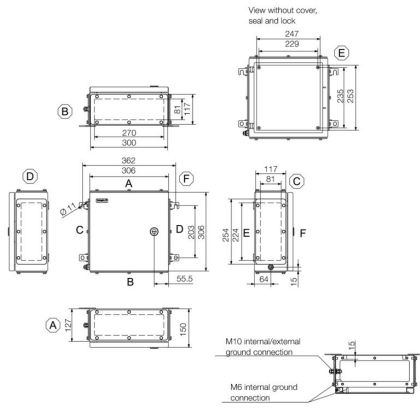
ETIM 8.0	EC002503	ETIM 9.0	EC002503
ETIM 10.0	EC002503	ECLASS 14.0	27-18-05-02
ECLASS 15.0	27-18-05-02		

**KTB QL 303015 S4E4**

**Weidmüller Interface GmbH & Co. KG**  
Klingenbergstraße 26  
D-32758 Detmold  
Germany

**Drawings**

[www.weidmueller.com](http://www.weidmueller.com)



**KTB QL 303015 S4E4**

**Weidmüller Interface GmbH & Co. KG**  
 Klingenbergstraße 26  
 D-32758 Detmold  
 Germany

www.weidmueller.com

**Accessories**

**306 x 306mm**



Integrate, expand and customise: The ideal expansion for every application

The consistent structure of accessories for the new Klippon® TB enclosure range means that you can easily adapt the enclosure to the specific requirements of each application.

Mounting plates

Mounting plates, with and without hole patterns, for longitudinal and transverse mounting of DIN mounting rails or components directly onto the mounting plate.

**General ordering data**

Type	KTB MOPL 3030 MSZN	Version
Order No.	<a href="#">1193960000</a>	Klippon TB (Terminal Box), Mounting plate, Height: 251 mm, Width: 245 mm, Depth: 1.5 mm, Basic material: Sheet steel, galvanized,
GTIN (EAN)	4050118028560	silver
Qty.	1 ST	
Type	KTB MOPL 3030 S2N	Version
Order No.	<a href="#">1193830000</a>	Klippon TB (Terminal Box), Mounting plate, Height: 251 mm, Width: 245 mm, Depth: 1.5 mm, Basic material: Stainless steel 1.4301 (304), untreated, silver
GTIN (EAN)	4050118028430	
Qty.	1 ST	
Type	KTB MOPL 3030 MSZN H	Version
Order No.	<a href="#">2022190000</a>	Klippon TB (Terminal Box), Mounting plate, prepunched, Height: 251 mm, Width: 245 mm, Depth: 1.5 mm, Basic material: Sheet steel, galvanized, silver
GTIN (EAN)	4050118403466	
Qty.	1 ST	
Type	KTB MOPL 3030 S2N H	Version
Order No.	<a href="#">1257670000</a>	Klippon TB (Terminal Box), Mounting plate, prepunched, Height: 251 mm, Width: 245 mm, Depth: 1.5 mm, Basic material: Stainless steel 1.4301 (304), untreated, silver
GTIN (EAN)	4050118049312	
Qty.	1 ST	

**Gland plates without earthing studs**



Integrate, expand and customise: The ideal expansion for every application

The consistent structure of accessories for the new Klippon® TB enclosure range means that you can easily adapt the enclosure to the specific requirements of each application.

Flange plates

Flange plates in two thicknesses, for easy replacement of pre-assembl

**General ordering data**

Type	KTB GP XX3015V AB S4 3MM	Version
Order No.	<a href="#">1280950000</a>	Klippon TB (Terminal Box), flange plate, straight, Height: 300 mm, Width: 117 mm, Depth: 3 mm, Gland plates: top, Bottom, Basic material: Stainless steel 1.4404, electropolished, silver
GTIN (EAN)	4050118071801	
Qty.	1 ST	
Type	KTB GP 303015 CD S4	Version
Order No.	<a href="#">1280960000</a>	Klippon TB (Terminal Box), flange plate, straight, Height: 254 mm, Width: 117 mm, Depth: 3 mm, Gland plates: left, right, Basic material: Stainless steel 1.4404, electropolished, silver
GTIN (EAN)	4050118071542	
Qty.	1 ST	

**KTB QL 303015 S4E4**

**Weidmüller Interface GmbH & Co. KG**  
 Klingenbergstraße 26  
 D-32758 Detmold  
 Germany

www.weidmueller.com

**Accessories**

**Gland plates made out of stainless steel - 6 mm**



Integrate, expand and customise: The ideal expansion for every application

The consistent structure of accessories for the new Klippon® TB enclosure range means that you can easily adapt the enclosure to the specific requirements of each application.

Flange plates

Flange plates in two thicknesses, for easy replacement of pre-assembl

**General ordering data**

Type	KTB GP XX3015V AB S4 6MM	Version
Order No.	<a href="#">1256340000</a>	Klippon TB (Terminal Box), flange plate, straight, Height: 300 mm,
GTIN (EAN)	4050118093759	Width: 117 mm, Depth: 6 mm, Gland plates: top, Bottom, Basic
Qty.	1 ST	material: Stainless steel 1.4404, electropolished, silver
Type	KTB GP 303015 CD S4 6MM	Version
Order No.	<a href="#">1256350000</a>	Klippon TB (Terminal Box), flange plate, straight, Height: 254 mm,
GTIN (EAN)	4050118093766	Width: 117 mm, Depth: 6 mm, Gland plates: left, right, Basic material:
Qty.	1 ST	Stainless steel 1.4404, electropolished, silver

**Gland plates with earthing studs**



Integrate, expand and customise: The ideal expansion for every application

The consistent structure of accessories for the new Klippon® TB enclosure range means that you can easily adapt the enclosure to the specific requirements of each application.

Flange plates

Flange plates in two thicknesses, for easy replacement of pre-assembl

**General ordering data**

Type	KTB GP XX3015V AB S4 PE	Version
Order No.	<a href="#">2023120000</a>	Klippon TB (Terminal Box), flange plate, straight, Height: 300 mm,
GTIN (EAN)	4050118403718	Width: 117 mm, Depth: 3 mm, Gland plates: top, Bottom, Basic
Qty.	1 ST	material: Stainless steel 1.4404, electropolished, silver
Type	KTB GP 303015 CD S4 PE	Version
Order No.	<a href="#">2023130000</a>	Klippon TB (Terminal Box), flange plate, straight, Height: 254 mm,
GTIN (EAN)	4050118403732	Width: 117 mm, Depth: 3 mm, Gland plates: left, right, Basic material:
Qty.	1 ST	Stainless steel 1.4404, electropolished, silver

## KTB QL 303015 S4E4

**Weidmüller Interface GmbH & Co. KG**  
 Klingenbergstraße 26  
 D-32758 Detmold  
 Germany

www.weidmueller.com

## Accessories

### Stainless steel 1.4301



**Integrate, expand and customise:** The ideal expansion for every application

The consistent structure of accessories for the new Klippon® TB enclosure range means that you can easily adapt the enclosure to the specific requirements of each application.

#### Rain Covers

The rain cover provides an ideal, additional level of protection for the enclosure if it is installed in unusual climatic zones with, for instance, very heavy rainfall or extreme levels of direct sunlight.

#### General ordering data

Type	KTB RNHD 303015 R	Version	
Order No.	<a href="#">1281390000</a>	Klippon TB (Terminal Box), Rain hood, Height: 53.4 mm, Width: 311	
GTIN (EAN)	4050118072068	mm, Depth: 160.5 mm, Basic material: Stainless steel 1.4301, Mirror	
Qty.	1 ST	polished, silver	

### Type label holder



**Integrate, expand and customise:** The ideal expansion for every application

The consistent structure of accessories for the new Klippon® TB enclosure range means that you can easily adapt the enclosure to the specific requirements of each application.

#### Nameplate holders

There are a variety of designed label holders available for prominent display as required and for additional nameplates as needed.

#### General ordering data

Type	TPSDHA KTB 100X25 S2 2R	Version	
Order No.	<a href="#">1257640000</a>	Klippon TB (Terminal Box), Ratings plate holder, Riveted, Height: 25	
GTIN (EAN)	4050118070354	mm, Width: 141 mm, Depth: 16.5 mm, Basic material: Stainless steel	
Qty.	1 ST	1.4301, Stainless steel 1.4301 (304), Mirror polished, silver	
Type	TPSDHA KTB 130X50 S2 R	Version	
Order No.	<a href="#">1283450000</a>	Klippon TB (Terminal Box), Ratings plate holder, Riveted, Height: 50	
GTIN (EAN)	4050118073621	mm, Width: 171 mm, Depth: 16.5 mm, Basic material: Stainless steel	
Qty.	1 ST	1.4301, Stainless steel 1.4301 (304), Mirror polished, silver	
Type	TPSDHA KTB 70X70M3 S2 R	Version	
Order No.	<a href="#">1279320000</a>	Klippon TB (Terminal Box), Ratings plate holder, Riveted, Height: 70	
GTIN (EAN)	4050118070101	mm, Width: 70 mm, Depth: 20 mm, Basic material: Stainless steel	
Qty.	1 ST	1.4301, Stainless steel 1.4301 (304), Mirror polished, silver	

## KTB QL 303015 S4E4

**Weidmüller Interface GmbH & Co. KG**

Klingenbergstraße 26  
D-32758 Detmold  
Germany

www.weidmueller.com

## Accessories

### Closure elements



Integrate, expand and customise: The ideal expansion for every application

The consistent structure of accessories for the new Klippon® TB enclosure range means that you can easily adapt the enclosure to the specific requirements of each application.

#### Sealing systems

There are different closure systems available for the safe and orderly sealing of the enclosure. There are padlocks for the Klippon® TB MH enclosures and a variety of lock inserts for the Klippon® TB QL enclosures.

### General ordering data

Type	KTB QLH S4 SLS	Version
Order No.	<a href="#">1191610000</a>	Klippon TB (Terminal Box), Closure element, Basic material: Stainless
GTIN (EAN)	4050118137965	steel 1.4404, untreated, silver
Qty.	50 ST	
Type	KTB QLL S2 DB3	Version
Order No.	<a href="#">1191590000</a>	Klippon TB (Terminal Box), Closure element, Basic material: Stainless
GTIN (EAN)	4050118134285	steel 1.4301, untreated, silver
Qty.	50 ST	
Type	KTB QLL S2 SLS	Version
Order No.	<a href="#">1191600000</a>	Klippon TB (Terminal Box), Closure element, Basic material: Stainless
GTIN (EAN)	4050118137989	steel 1.4301, untreated, silver
Qty.	10 ST	

### Installation material



Integrate, expand and customise - the perfect supplement to every application

The fully structured range of system accessories for the new Klippon® TB enclosure series allows you to easily adapt the enclosures to meet the specific requirements of every application.

#### Mounting hardware kits

Mounting hardware kits are available for quick and easy installation of type label holders, document holders and rain hoods.

The label fastening set – SD is required to install a plastic (Trafolyte) ID or type label. With the aid of this set can you mount the ID or type label directly on the enclosure cover. The label fastening set has been specially developed for this purpose. Only by using this fastening set can you ensure that there will be no leaks into the enclosure or damage to the label.

The universal fastening set – TPSD has been developed to enable secure and quick installation of type label holders, rain covers or document holders, for example. By using this fastening set, the risk of leaks can be minimised, if not avoided.

## KTB QL 303015 S4E4

Weidmüller Interface GmbH & Co. KG  
Klingenbergstraße 26  
D-32758 Detmold  
Germany

www.weidmueller.com

## Accessories

## General ordering data

Type	SD FIXING SET	Version
Order No.	<a href="#">1285200000</a>	Klippon TB (Terminal Box), Identification plate fixing set, Height: 12
GTIN (EAN)	4050118075472	mm, Width: 12 mm, Depth: 16.4 mm, Basic material: Stainless steel,
Qty.	1 ST	rust-proof, untreated, silver
Type	TPSD FIXING SET KTB	Version
Order No.	<a href="#">1252190000</a>	Klippon TB (Terminal Box), Type plate fixings set, Basic material:
GTIN (EAN)	4050118043969	Stainless steel, rust-proof, untreated, silver
Qty.	20 ST	

## Document holders



Integrate, expand and customise - the perfect supplement to every application  
The fully structured range of system accessories for the new Klippon® TB enclosure series allows you to easily adapt the enclosures to meet the specific requirements of every application.  
Document holders  
Document holders for the proper storage of documents in the enclosure

## General ordering data

Type	DOHA KTB A6 S2 R	Version
Order No.	<a href="#">1252780000</a>	Klippon TB (Terminal Box), Document holders, Riveted, Height: 110
GTIN (EAN)	4050118045512	mm, Width: 130 mm, Depth: 20 mm, Basic material: Stainless steel
Qty.	1 ST	1.4301, Stainless steel 1.4301 (304), Mirror polished, silver

## Earthing stud



Integrate, expand and customise: The ideal expansion for every application  
The consistent structure of accessories for the new Klippon® TB enclosure range means that you can easily adapt the enclosure to the specific requirements of each application.  
Earthing bolt  
Earthing bolts to exchange as a complete component in two versions – brass and stainless steel.

## General ordering data

Type	PEBZ M10 KTB BR SET	Version
Order No.	<a href="#">1192680000</a>	Klippon TB (Terminal Box), Earthing stud, Miscellaneous, Height: 21
GTIN (EAN)	4032248974641	mm, Width: 21 mm, Depth: 48.7 mm, Basic material: Brass,
Qty.	1 ST	untreated, silver
Type	PEBZ M10 KTB S4 SET	Version
Order No.	<a href="#">1192690000</a>	Klippon TB (Terminal Box), Earthing stud, Miscellaneous, Height: 21
GTIN (EAN)	4032248974658	mm, Width: 21 mm, Depth: 48.7 mm, Basic material: Stainless steel
Qty.	1 ST	1.4404 (316L), untreated, silver

## KTB QL 303015 S4E4

**Weidmüller Interface GmbH & Co. KG**  
 Klingenbergstraße 26  
 D-32758 Detmold  
 Germany

www.weidmueller.com

## Accessories

## Grounding strap

The fully structured range of system accessories for the new Klippon® TB enclosure series allows you to easily adapt the enclosures to meet the specific requirements of every application. The following options are available:

- Closure Elements
- Document holders
- Earthing stud
- Gland plates
- Installation material
- Mounting plates
- Rain hoods
- Spacer
- Terminal rails
- Type label holder

## General ordering data

Type	PECD WIRE 6/200/D6 SET	Version
Order No.	<a href="#">2475490000</a>	Klippon TB (Terminal Box), Grounding strap, Ssrewed, Basic material:
GTIN (EAN)	4050118487206	Steel, Green/yellow
Qty.	1 ST	

## Stainless steel 1.4404 (316L)



Integrate, expand and customise: The ideal expansion for every application

The consistent structure of accessories for the new Klippon® TB enclosure range means that you can easily adapt the enclosure to the specific requirements of each application.

## Rain Covers

The rain cover provides an ideal, additional level of protection for the enclosure if it is installed in unusual climatic zones with, for instance, very heavy rainfall or extreme levels of direct sunlight.

## General ordering data

Type	KTB RNHD XX30 15V S4E R	Version
Order No.	<a href="#">1314120000</a>	Klippon TB (Terminal Box), Rain hood, Height: 53.4 mm, Width: 311
GTIN (EAN)	4050118117462	mm, Depth: 160.5 mm, Basic material: Stainless steel 1.4404 (316L),
Qty.	1 ST	electropolished, silver

## Depth 7.5 mm



Integrate, expand and customise: The ideal expansion for every application

The consistent structure of accessories for the new Klippon® TB enclosure range means that you can easily adapt the enclosure to the specific requirements of each application.

## Terminal rails

The mounting rails are available in two sizes for mounting DIN rails (e.g. electronics, terminals) components in the enclosures.

## KTB QL 303015 S4E4

**Weidmüller Interface GmbH & Co. KG**  
 Klingenbergstraße 26  
 D-32758 Detmold  
 Germany

www.weidmueller.com

## Accessories

### General ordering data

Type	TS35X7.5 ST KTB3030 VER	Version
Order No.	<a href="#">800006710</a>	Rail, TS 35, TS 35 x 7.5, Width: 251 mm, without slot, Steel, galvanized, chromium-plated
GTIN (EAN)	4050118652833	
Qty.	20 ST	
Type	TS35X7.5 ST KTB3030 HOR	Version
Order No.	<a href="#">800006722</a>	Rail, TS 35, TS 35 x 7.5, Width: 245 mm, without slot, Steel, galvanized, chromium-plated
GTIN (EAN)	4050118652901	
Qty.	20 ST	

### Mounting plates



Mounting plates, with and without hole patterns, for longitudinal and transverse mounting of DIN mounting rails or components directly onto the mounting plate.

### General ordering data

Type	GFSC M5X10 TX20 SET	Version
Order No.	<a href="#">1274150000</a>	Klippon EB (Essential Box), Mounting screw, Height: 13.3 mm, Width: 8.5 mm, Depth: 8.5 mm, Basic material: Steel, galvanized, galvanic zinc plated and passivated, silver
GTIN (EAN)	4050118063820	
Qty.	1 ST	

### Depth 15 mm



Integrate, expand and customise: The ideal expansion for every application

The consistent structure of accessories for the new Klippon® TB enclosure range means that you can easily adapt the enclosure to the specific requirements of each application.

Terminal rails

The mounting rails are available in two sizes for mounting DIN rails (e.g. electronics, terminals) components in the enclosures.

### General ordering data

Type	TS35X15 ST KTB3030 HOR	Version
Order No.	<a href="#">8000073111</a>	Rail, TS 35, TS 35 x 15, Width: 245 mm, without slot, Steel, galvanic zinc plated and passivated
GTIN (EAN)	4064675340614	
Qty.	20 ST	
Type	TS35X15 ST KTB3030 VER	Version
Order No.	<a href="#">8000073112</a>	Rail, TS 35, TS 35 x 15, Width: 251 mm, without slot, Steel, galvanic zinc plated and passivated
GTIN (EAN)	4064675340645	
Qty.	20 ST	

**Accessories**

**Installation material**



Integrate, expand and customise - the perfect supplement to every application

The fully structured range of system accessories for the new Klippon® TB enclosure series allows you to easily adapt the enclosures to meet the specific requirements of every application.

**Mounting hardware kits**

Mounting hardware kits are available for quick and easy installation of type label holders, document holders and rain hoods.

The label fastening set – SD is required to install a plastic (Trafolyte) ID or type label. With the aid of this set can you mount the ID or type label directly on the enclosure cover. The label fastening set has been specially developed for this purpose. Only by using this fastening set can you ensure that there will be no leaks into the enclosure or damage to the label.

The universal fastening set – TPSD has been developed to enable secure and quick installation of type label holders, rain covers or document holders, for example. By using this fastening set, the risk of leaks can be minimised, if not avoided.

**General ordering data**

Type	FKSC M6X8 D9/SW3	Version	
Order No.	<a href="#">064260000</a>	Klippon TB (Terminal Box), Mounting screw, Basic material: Steel	
GTIN (EAN)	4008190058258		
Qty.	50 ST		