

KTB MH 221513 S4E1

Weidmüller Interface GmbH & Co. KG
 Klingenbergstraße 26
 D-32758 Detmold
 Germany

www.weidmueller.com

Similar to illustration



Abbildung ähnlich

The Klippon® TB enclosure range provides excellent performance characteristics, even under the most difficult environmental conditions. In addition, it complies with the stricter requirements of potentially explosive atmospheres found specifically in the process or power generation industries. The Klippon® TB MH enclosure range offers further improvements to a product line that is already successfully leading the market.

The Klippon® TB MH enclosure range has the following advantages:

- Available in 22 sizes and 3 standard depths
- Equipped with up to 4 gland plates
- The gasket is protected against compression
- Completely removable padlock tab
- Cover lock outside the sealed zone
- Improved temperature performance
- IP66/IP67 protection
- Completely removable lid – without a tool
- Earthing stud in the cover and base of the enclosure
- Welded mounting feet
- International approvals

General ordering data

Version	Klippon TB MH (Terminal Box - Multi Hinge), Empty enclosure, stainless steel enclosure, Height: 229 mm, Width: 152 mm, Depth: 133 mm, Gland plates: Bottom, Basic material: Stainless steel 1.4404 (316L), electropolished, silver
Order No.	1194560000
Type	KTB MH 221513 S4E1
GTIN (EAN)	4032248977185
Qty.	1 items

KTB MH 221513 S4E1

Weidmüller Interface GmbH & Co. KG
 Klingenbergstraße 26
 D-32758 Detmold
 Germany

www.weidmueller.com

Technical data

Approvals

Approvals



ROHS	Conform
UL File Number Search	UL Website
Certificate no. (cULus)	E243298

Dimensions and weights

Depth	133 mm	Depth (inches)	5.2362 inch
Height	229 mm	Height (inches)	9.0157 inch
Width	152 mm	Width (inches)	5.9842 inch
Mounting dimension - height	152 mm	Mounting dimension - width	178 mm
Net weight	3060 g		

Temperatures

Operating temperature	-60 °C...135 °C	Note: room temperature (service)	Limited to IP66 protection when used in temperatures greater than 105 °C.
-----------------------	-----------------	----------------------------------	---

Environmental Product Compliance

RoHS Compliance Status	Compliant with exemption
RoHS Exemption (if applicable/known)	6c
REACH SVHC	Lead 7439-92-1
SCIP	8d5fcdfe-c58e-44e1-a6b4-74d2bbccc9dd

Cable glands, left

M63	0	M75	0
M12	8	M50	0
M16	6	M32	2
M25	2	M20	3
M40	2		

Cable glands, right

M25	2	M63	0
M75	0	M16	6
M40	2	M50	0
M32	2	M20	3
M12	8		

KTB MH 221513 S4E1

Weidmüller Interface GmbH & Co. KG

 Klingenbergstraße 26
 D-32758 Detmold
 Germany

www.weidmueller.com

Technical data

Cable glands, top/bottom

M20	2	M12	6
M63	0	M40	1
M32	1	M25	2
M50	0	M75	0
M16	5		

Certificate numbers enclosure

Certificate No. UL Haz.Loc.	E223792	Declaration of Conformity No. (DoC LVD)	DE PS261X 160412 001ISS03
Certificate No. UL Ord.Loc.	E243298	Certificate No. UL 508A	E223801
Attestation of Conformity No. (AoC)	DE PS261X 160309 001ISS06	Certificate No. UL Terminal Box	E223792
Certificate No. Electronic Box (NEPSI)	2020322303003289	Certificate no. empty enclosure (ECAS)	21-09-25241/ E21-09-053807
Certificate no. Terminal Box (KOSHA)	16-AV4BO-0245X	Certificate no. empty enclosure (INMETRO)	LMP 21.0016U
Certificate No. (DNV)	TAE000013S	Certificate no. Terminal Box (AEx)	E223792
Certificate No. (CCOE)	P461058_1	Certificate no. Terminal Box (ATEX)	IBExU14ATEX1050
Certificate no. empty enclosure (ATEX)	IBExU14ATEX1028 U	Certificate no. Terminal Box (INMETRO)	LMP 21.0017
Certificate no. (INMETRO)	IEX17.0021	Certificate no. Terminal Box (IECEX)	IECEXIBE14.0013
Certificate no. empty enclosure (IECEX)	IECEX IBE 14.0004U	Certificate No. (IECEX)	IECEXPTB11.0071
Certificate No. (ATEX)	PTB11ATEX2019	Approval conditions	ATEX, CCoE, DNV, IECEX, INMETRO, KC, NEPSI, CCC, UL AEx Class Div., UL AEx Class Zone, cULus
Certificate no. (cULus)	E243298		

General information

Material thickness of cover	1.5 mm	Material thickness of flange	3 mm
Material thickness of enclosure	1.5 mm	Operating temperature, max.	135 °C
Operating temperature, min.	-60 °C	Lid attachment	4 hinges and M6 hex-head slotted screws SW10
Standards	DIN EN 62208 - Empty enclosure standard, DIN EN 61373 Class 1B**, DIN EN 15085-2, EN 60079-0, EN 60079-7, EN 60079-31, IEC 60079-0, IEC 60079-7, IEC 60079-31	Surface finish	electropolished
Impact resistance	7 J ATEX version, 10 J version standard	AF size	10 mm
Protection degree	IP66, IP67	Basic material	Stainless steel 1.4404 (316L)
Seal material	Silicone	Torque for lid screws	2.5 Nm
Integral fixing	4, 6 or 9 stud bolts M6 inner (female) thread	Enclosure attachment	4 welded-on mounting feet with 11 mm holes (2 slotted feet and 2 cross-shaped feet)
Note: protection class	If used in temperature ranges above 105 °C, IP protection is limited to IP 66.	Flange plate mounting	M6 hexagonal head screws 10 SW
Protection class (UL)	Type 3, Type 4X, Type 12	Number of lid screws	4
Gland plates	Bottom	Dimension of box	350x390x220
Access opening: width	93 mm	Opening angle lid	130.00 °

KTB MH 221513 S4E1

Weidmüller Interface GmbH & Co. KG
 Klingenbergstraße 26
 D-32758 Detmold
 Germany

www.weidmueller.com

Technical data

Overall dimensions	240 x 203 x 148	Flange plate	Yes
Max. payload	14 kg	Lid	Yes
Access opening: height	176 mm	Position PE bolts	Enclosure side C
Areas of use	Explosive risk zone, Process industry, Oil and gas industry, Chemical industry, Offshore, Onshore		

Housing earth

Earth, enclosure, cover	Welded-on M6 stainless-steel earth stud in enclosure body and lid.	Earth, enclosure, external	Continuous M10 earth stud in body enclosure
Earth, enclosure, internal	Welded-on M6 stainless-steel earth stud in enclosure body and lid.		

horizontal assembly

WDU 10 / ZDU 10	1x4	WDU 16 / ZDU 16	1x3
WDU 2,5 / ZDU 2,5 / IDU 2,5	1x10	WDU 35 / ZDU 35	1x2
WDU 4 / ZDU 4	1x8	WDU 6 / ZDU 6	1x6

vertical assembly

WDU 10 / ZDU 10	1x13	WDU 16 / ZDU 16	1x10
WDU 2,5 / ZDU 2,5 / IDU 2,5	1x26	WDU 35 / ZDU 35	1x7
WDU 4 / ZDU 4	1x21	WDU 6 / ZDU 6	1x16

Classifications

ETIM 8.0	EC002503	ETIM 9.0	EC002503
ETIM 10.0	EC002503	ECLASS 14.0	27-18-05-02
ECLASS 15.0	27-18-05-02		

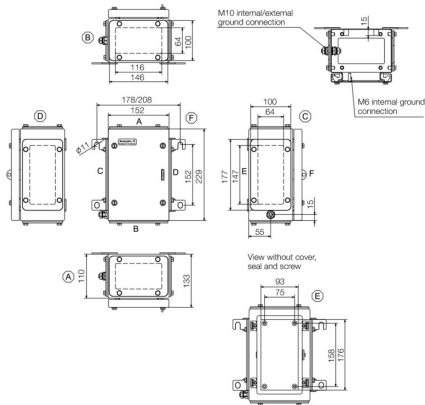
KTB MH 221513 S4E1

Weidmüller Interface GmbH & Co. KG
Klingenbergstraße 26
D-32758 Detmold
Germany

Drawings

www.weidmueller.com

Dimensioned drawing



KTB MH 221513 S4E1

Weidmüller Interface GmbH & Co. KG
 Klingenbergstraße 26
 D-32758 Detmold
 Germany

www.weidmueller.com

Accessories

229 x 152mm



Integrate, expand and customise: The ideal expansion for every application

The consistent structure of accessories for the new Klippon® TB enclosure range means that you can easily adapt the enclosure to the specific requirements of each application.

Mounting plates

Mounting plates, with and without hole patterns, for longitudinal and transverse mounting of DIN mounting rails or components directly onto the mounting plate.

General ordering data

Type	KTB MOPL 2215 MSZN	Version
Order No.	1193930000	Klippon TB (Terminal Box), Mounting plate, Height: 174 mm, Width:
GTIN (EAN)	4050118028546	91 mm, Depth: 1.5 mm, Basic material: Sheet steel, galvanized, silver
Qty.	1 ST	
Type	KTB MOPL 2215 MSZN H	Version
Order No.	2022050000	Klippon TB (Terminal Box), Mounting plate, prepunched, Height: 174
GTIN (EAN)	4050118403442	mm, Width: 91 mm, Depth: 1.5 mm, Basic material: Sheet steel,
Qty.	1 ST	galvanized, silver
Type	KTB MOPL 2215 S2N	Version
Order No.	1193810000	Klippon TB (Terminal Box), Mounting plate, Height: 174 mm, Width:
GTIN (EAN)	4050118028409	91 mm, Depth: 1.5 mm, Basic material: Stainless steel 1.4301 (304),
Qty.	1 ST	untreated, silver
Type	KTB MOPL 2215 S2N H	Version
Order No.	1257650000	Klippon TB (Terminal Box), Mounting plate, prepunched, Height: 174
GTIN (EAN)	4050118049305	mm, Width: 91 mm, Depth: 1.5 mm, Basic material: Stainless steel
Qty.	1 ST	1.4301 (304), untreated, silver

Gland plates without earthing studs



Integrate, expand and customise: The ideal expansion for every application

The consistent structure of accessories for the new Klippon® TB enclosure range means that you can easily adapt the enclosure to the specific requirements of each application.

Flange plates

Flange plates in two thicknesses, for easy replacement of pre-assembl

General ordering data

Type	KTB GP XX1513V AB S4 3MM	Version
Order No.	1280890000	Klippon TB (Terminal Box), flange plate, straight, Height: 146 mm,
GTIN (EAN)	4050118071627	Width: 100 mm, Depth: 3 mm, Gland plates: top, Bottom, Basic
Qty.	1 ST	material: Stainless steel 1.4404, Stainless steel 1.4404 (316L),
		electropolished, silver

KTB MH 221513 S4E1

Weidmüller Interface GmbH & Co. KG
 Klingenbergstraße 26
 D-32758 Detmold
 Germany

Accessories

www.weidmueller.com

Gland plates made out of stainless steel - 6 mm



Integrate, expand and customise: The ideal expansion for every application

The consistent structure of accessories for the new Klippon® TB enclosure range means that you can easily adapt the enclosure to the specific requirements of each application.

Flange plates

Flange plates in two thicknesses, for easy replacement of pre-assembl

General ordering data

Type	KTB GP XX1513V AB S4 6MM	Version
Order No.	1256270000	Klippon TB (Terminal Box), flange plate, straight, Height: 146 mm,
GTIN (EAN)	4050118092592	Width: 100 mm, Depth: 6 mm, Gland plates: top, Bottom, Basic
Qty.	1 ST	material: Stainless steel 1.4404, electropolished, silver

Gland plates with earthing studs



Integrate, expand and customise: The ideal expansion for every application

The consistent structure of accessories for the new Klippon® TB enclosure range means that you can easily adapt the enclosure to the specific requirements of each application.

Flange plates

Flange plates in two thicknesses, for easy replacement of pre-assembl

General ordering data

Type	KTB GP XX1513V AB S4 PE	Version
Order No.	2022770000	Klippon TB (Terminal Box), flange plate, straight, Height: 146 mm,
GTIN (EAN)	4050118403916	Width: 100 mm, Depth: 3 mm, Gland plates: top, Bottom, Basic
Qty.	1 ST	material: Stainless steel 1.4404, electropolished, silver

Stainless steel 1.4301



Integrate, expand and customise: The ideal expansion for every application

The consistent structure of accessories for the new Klippon® TB enclosure range means that you can easily adapt the enclosure to the specific requirements of each application.

Rain Covers

The rain cover provides an ideal, additional level of protection for the enclosure if it is installed in unusual climatic zones with, for instance, very heavy rainfall or extreme levels of direct sunlight.

KTB MH 221513 S4E1

Weidmüller Interface GmbH & Co. KG
 Klingenbergstraße 26
 D-32758 Detmold
 Germany

www.weidmueller.com

Accessories

General ordering data

Type	KTB RNHD 221513 R	Version
Order No.	1281360000	Klippon TB (Terminal Box), Rain hood, Height: 50.9 mm, Width: 157
GTIN (EAN)	4050118072075	mm, Depth: 142.8 mm, Basic material: Stainless steel 1.4301, Mirror
Qty.	1 ST	polished, silver

Type label holder



Integrate, expand and customise: The ideal expansion for every application

The consistent structure of accessories for the new Klippon® TB enclosure range means that you can easily adapt the enclosure to the specific requirements of each application.

Nameplate holders

There are a variety of designed label holders available for prominent display as required and for additional nameplates as needed.

General ordering data

Type	TPSDHA KTB 70X70M3 S2 R	Version
Order No.	1279320000	Klippon TB (Terminal Box), Ratings plate holder, Riveted, Height: 70
GTIN (EAN)	4050118070101	mm, Width: 70 mm, Depth: 20 mm, Basic material: Stainless steel
Qty.	1 ST	1.4301, Stainless steel 1.4301 (304), Mirror polished, silver

Installation material



Integrate, expand and customise - the perfect supplement to every application

The fully structured range of system accessories for the new Klippon® TB enclosure series allows you to easily adapt the enclosures to meet the specific requirements of every application.

Mounting hardware kits

Mounting hardware kits are available for quick and easy installation of type label holders, document holders and rain hoods.

The label fastening set – SD is required to install a plastic (Trafolyte) ID or type label. With the aid of this set can you mount the ID or type label directly on the enclosure cover. The label fastening set has been specially developed for this purpose. Only by using this fastening set can you ensure that there will be no leaks into the enclosure or damage to the label.

The universal fastening set – TPSD has been developed to enable secure and quick installation of type label holders, rain covers or document holders, for example. By using this fastening set, the risk of leaks can be minimised, if not avoided.

General ordering data

Type	SD FIXING SET	Version
Order No.	1285200000	Klippon TB (Terminal Box), Identification plate fixing set, Height: 12
GTIN (EAN)	4050118075472	mm, Width: 12 mm, Depth: 16.4 mm, Basic material: Stainless steel,
Qty.	1 ST	rust-proof, untreated, silver

KTB MH 221513 S4E1

Weidmüller Interface GmbH & Co. KG
 Klingenbergstraße 26
 D-32758 Detmold
 Germany

www.weidmueller.com

Accessories

Type	TPSD FIXING SET KTB	Version
Order No.	1252190000	Klippon TB (Terminal Box), Type plate fixings set, Basic material:
GTIN (EAN)	4050118043969	Stainless steel, rust-proof, untreated, silver
Qty.	20 ST	

Earthing stud



Integrate, expand and customise: The ideal expansion for every application

The consistent structure of accessories for the new Klippon® TB enclosure range means that you can easily adapt the enclosure to the specific requirements of each application.

Earthing bolt

Earthing bolts to exchange as a complete component in two versions – brass and stainless steel.

General ordering data

Type	PEBZ M10 KTB BR SET	Version
Order No.	1192680000	Klippon TB (Terminal Box), Earthing stud, Miscellaneous, Height:
GTIN (EAN)	4032248974641	21 mm, Width: 21 mm, Depth: 48.7 mm, Basic material: Brass,
Qty.	1 ST	untreated, silver
Type	PEBZ M10 KTB S4 SET	Version
Order No.	1192690000	Klippon TB (Terminal Box), Earthing stud, Miscellaneous, Height: 21
GTIN (EAN)	4032248974658	mm, Width: 21 mm, Depth: 48.7 mm, Basic material: Stainless steel
Qty.	1 ST	1.4404 (316L), untreated, silver

Grounding strap

The fully structured range of system accessories for the new Klippon® TB enclosure series allows you to easily adapt the enclosures to meet the specific requirements of every application. The following options are available:

- Closure Elements
- Document holders
- Earthing stud
- Gland plates
- Installation material
- Mounting plates
- Rain hoods
- Spacer
- Terminal rails
- Type label holder

General ordering data

Type	PECD WIRE 6/200/D6 SET	Version
Order No.	2475490000	Klippon TB (Terminal Box), Grounding strap, Ssrewed, Basic material:
GTIN (EAN)	4050118487206	Steel, Green/yellow
Qty.	1 ST	

KTB MH 221513 S4E1

Weidmüller Interface GmbH & Co. KG
 Klingenbergstraße 26
 D-32758 Detmold
 Germany

www.weidmueller.com

Accessories

Stainless steel 1.4404 (316L)



Integrate, expand and customise: The ideal expansion for every application

The consistent structure of accessories for the new Klippon® TB enclosure range means that you can easily adapt the enclosure to the specific requirements of each application.

Rain Covers

The rain cover provides an ideal, additional level of protection for the enclosure if it is installed in unusual climatic zones with, for instance, very heavy rainfall or extreme levels of direct sunlight.

General ordering data

Type	KTB RNHD XX15 13V S4E R	Version	
Order No.	1314090000	Klippon TB (Terminal Box), Rain hood, Height: 50.9 mm, Width: 157	
GTIN (EAN)	4050118117332	mm, Depth: 142.8 mm, Basic material: Stainless steel 1.4404 (316L),	
Qty.	1 ST	electropolished, silver	

Depth 7.5 mm



Integrate, expand and customise: The ideal expansion for every application

The consistent structure of accessories for the new Klippon® TB enclosure range means that you can easily adapt the enclosure to the specific requirements of each application.

Terminal rails

The mounting rails are available in two sizes for mounting DIN rails (e.g. electronics, terminals) components in the enclosures.

General ordering data

Type	TS35X7.5 ST KTB2215 HOR	Version	
Order No.	8000006720	Rail, TS 35, TS 35 x 7.5, Width: 91 mm, without slot, Steel,	
GTIN (EAN)	4050118652888	galvanized, chromium-plated	
Qty.	20 ST		
Type	TS35X7.5 ST KTB2215 VER	Version	
Order No.	8000006708	Rail, TS 35, TS 35 x 7.5, Width: 174 mm, without slot, Steel,	
GTIN (EAN)	4050118652819	galvanized, chromium-plated	
Qty.	20 ST		

Mounting plates



Mounting plates, with and without hole patterns, for longitudinal and transverse mounting of DIN mounting rails or components directly onto the mounting plate.

KTB MH 221513 S4E1

Weidmüller Interface GmbH & Co. KG
 Klingenbergstraße 26
 D-32758 Detmold
 Germany

www.weidmueller.com

Accessories

General ordering data

Type	GFSC M5X10 TX20 SET	Version
Order No.	1274150000	Klippon EB (Essential Box), Mounting screw, Height: 13.3 mm, Width:
GTIN (EAN)	4050118063820	8.5 mm, Depth: 8.5 mm, Basic material: Steel, galvanized, galvanic
Qty.	1 ST	zinc plated and passivated, silver

Depth 15 mm



Integrate, expand and customise: The ideal expansion for every application

The consistent structure of accessories for the new Klippon® TB enclosure range means that you can easily adapt the enclosure to the specific requirements of each application.

Terminal rails

The mounting rails are available in two sizes for mounting DIN rails (e.g. electronics, terminals) components in the enclosures.

General ordering data

Type	TS35X15 ST KTB2215 HOR	Version
Order No.	8000073108	Rail, TS 35, TS 35 x 15, Width: 91 mm, without slot, Steel, galvanic
GTIN (EAN)	4064675340584	zinc plated and passivated
Qty.	20 ST	
Type	TS35X15 ST KTB2215 VER	Version
Order No.	8000073109	Rail, TS 35, TS 35 x 15, Width: 174 mm, without slot, Steel, galvanic
GTIN (EAN)	4064675340591	zinc plated and passivated
Qty.	20 ST	

Installation material



Integrate, expand and customise - the perfect supplement to every application

The fully structured range of system accessories for the new Klippon® TB enclosure series allows you to easily adapt the enclosures to meet the specific requirements of every application.

Mounting hardware kits

Mounting hardware kits are available for quick and easy installation of type label holders, document holders and rain hoods.

The label fastening set – SD is required to install a plastic (Trafolyte) ID or type label. With the aid of this set can you mount the ID or type label directly on the enclosure cover. The label fastening set has been specially developed for this purpose. Only by using this fastening set can you ensure that there will be no leaks into the enclosure or damage to the label.

The universal fastening set – TPSD has been developed to enable secure and quick installation of type label holders, rain covers or document holders, for example. By using this fastening set, the risk of leaks can be minimised, if not avoided.

KTB MH 221513 S4E1

Weidmüller Interface GmbH & Co. KG
Klingenbergstraße 26
D-32758 Detmold
Germany

www.weidmueller.com

Accessories

General ordering data

Type	FKSC M6X8 D9/SW3	Version	
Order No.	064260000	Klippon TB (Terminal Box), Mounting screw, Basic material: Steel	
GTIN (EAN)	4008190058258		
Qty.	50 ST		