

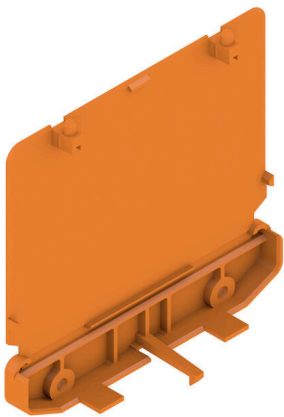
AP 111 OR 2000**Weidmüller Interface GmbH & Co. KG**

Klingenbergstraße 26

D-32758 Detmold

Germany

www.weidmueller.com



The RS 100 Profi offers you a flexible solution for your mounting needs, as both DIN rail mounting and wall mounting are possible. This versatility facilitates integration into different environments and applications. The housing can be used for the Eurocard PCB standard. The profile can be cut to size so that you can adapt it precisely to your specific requirements. For particularly heavy components, additional locking feet can be used to improve stability and thus increase the safety of your installation.

Another practical feature is the option of using a cover profile to protect large components.

General ordering data

Version	End plate, RS 100 orange, End plate both sides, Width: 27.2 mm
Order No.	1185460000
Type	AP 111 OR 2000
GTIN (EAN)	4008190132064
Qty.	10 items

AP 111 OR 2000

Weidmüller Interface GmbH & Co. KG
 Klingenbergstraße 26
 D-32758 Detmold
 Germany

www.weidmueller.com

Technical data

Approvals

ROHS	Conform
------	---------

Dimensions and weights

Depth	103.6 mm	Depth (inches)	4.0787 inch
Height	108.6 mm	Height (inches)	4.2756 inch
Width	27.2 mm	Width (inches)	1.0709 inch
Net weight	19.1 g		

Environmental Product Compliance

RoHS Compliance Status	Compliant without exemption
REACH SVHC	No SVHC above 0.1 wt%

Material data

UL 94 flammability rating	V-2, V-0	Insulating material	PA 66
Insulating material group	I	Surface finish	untreated
Basic material	PA 66	Comparative Tracking Index (CTI)	600 ≤ CTI

General data

Colour	orange	Protection degree	IP20 in installed state
Colour chart (similar)	RAL 2000	Encapsulation option	No

Classifications

ETIM 8.0	EC001031	ETIM 9.0	EC002779
ETIM 10.0	EC002779	ECLASS 14.0	27-19-06-02
ECLASS 15.0	27-19-06-02		

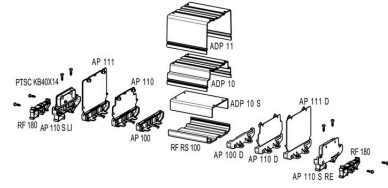
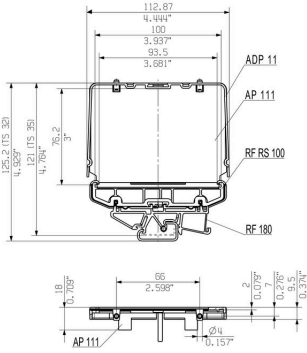
AP 111 OR 2000

Weidmüller Interface GmbH & Co. KG
Klingenbergstraße 26
D-32758 Detmold
Germany

Drawings

www.weidmueller.com

RAIL MOUNTING
FOR BOTH SIDES (RIGHT AND LEFT)



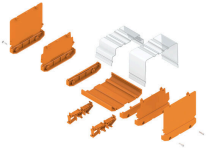
AP 111 OR 2000

Weidmüller Interface GmbH & Co. KG
Klingenbergstraße 26
D-32758 Detmold
Germany

Accessories

www.weidmueller.com

RS 100 - Profile housing



The RS 100 Profi offers you a flexible solution for your mounting needs, as both DIN rail mounting and wall mounting are possible. This versatility facilitates integration into different environments and applications. The housing can be used for the Eurocard PCB standard. The profile can be cut to size so that you can adapt it precisely to your specific requirements. For particularly heavy components, additional locking feet can be used to improve stability and thus increase the safety of your installation.

Another practical feature is the option of using a cover profile to protect large components.

General ordering data

Type	PTSC KB40X14	Version
Order No.	4019420000	Mounting screw (Terminal), 0.00 mm, Steel, Depth: 7 mm, Width:
GTIN (EAN)	4008190243029	16.9 mm, Height: 7 mm
Qty.	100 ST	