

FP BOX MPB



The FieldPower® power distributors support error-free installation in an extremely short space of time. Branches and functions integrated in the cover can simply be plugged in. Robust with high protection degree.

General ordering data

| | |
|-----------------|--|
| Version | FieldPower® power distribution box, IP65, in complete state, glass-fibre reinforced polycarbonate, PUSH IN, Insulation displacement connection (IDC) |
| Order No. | 1180300000 |
| Type | FP BOX MPB |
| GTIN (EAN) | 4032248972012 |
| Qty. | 1 items |
| Delivery status | Discontinued |
| Available until | 2025-09-25T00:00:00+02:00 |

FP BOX MPB

Weidmüller Interface GmbH & Co. KG
 Klingenbergstraße 26
 D-32758 Detmold
 Germany

www.weidmueller.com

Technical data

Approvals

| | |
|------|---------|
| ROHS | Conform |
|------|---------|

Dimensions and weights

| | | | |
|------------|----------|-----------------|-------------|
| Depth | 67 mm | Depth (inches) | 2.6378 inch |
| Height | 181 mm | Height (inches) | 7.126 inch |
| Width | 104 mm | Width (inches) | 4.0945 inch |
| Net weight | 548.81 g | | |

Temperatures

| | | | |
|---------------------|----------------|-----------------------|----------------|
| Storage temperature | -40 °C...85 °C | Operating temperature | -40 °C...55 °C |
|---------------------|----------------|-----------------------|----------------|

Environmental Product Compliance

| | |
|------------------------|--|
| RoHS Compliance Status | Compliant without exemption |
| REACH SVHC | Potassium perfluorobutane sulfonate 29420-49-3 |
| SCIP | 5f19cd84-8946-4797-9386-3ac323b95c10 |

Clamping capacity

| | | | | |
|---|---|--------------------------|---------------------------|--|
| Connection data - contact element Branch / Feed-in | Wire connection method | PUSH IN | | |
| | Blade size of operating tool | 0.6 x 3.5 mm | | |
| | Stripping length | 14.00 mm | | |
| | Number of poles | 5 | | |
| | Conductor connection cross-section, solid, max. | 6 mm ² | | |
| | Conductor connection cross-section, solid, min. | 0.50 mm ² | | |
| | Conductor connection cross-section, stranded, max. | 6.00 mm ² | | |
| | Conductor connection cross-section, stranded, min. | 0.50 mm ² | | |
| | Conductor connection cross-section, finely stranded, max. | 10.00 mm ² | | |
| | Conductor connection cross-section, finely stranded, min. | 0.50 mm ² | | |
| | Conductor connection cross-section, finest stranded, max. | 6.00 mm ² | | |
| | Conductor connection cross-section, finest stranded, min. | 0.50 mm ² | | |
| | Conductor connection cross-section with wire end ferrule | Type of wire end ferrule | 12 mm with plastic collar | |
| | | Standard | DIN 46228/1 | |
| | | Cross-section, min. | 0.5 mm ² | |
| | | Cross-section, max. | 6 mm ² | |
| | | Type of wire end ferrule | 12 mm with plastic collar | |
| | | Standard | DIN 46228/4 | |
| | | Cross-section, min. | 0.5 mm ² | |
| | | Cross-section, max. | 6 mm ² | |
| Type of wire end ferrule | | 8 mm with plastic collar | | |
| Standard | | DIN 46228/1 | | |
| Cross-section, min. | | 0.5 mm ² | | |
| Cross-section, max. | | 6 mm ² | | |
| Type of wire end ferrule | 8 mm with plastic collar | | | |
| Standard | DIN 46228/4 | | | |

FP BOX MPB

Weidmüller Interface GmbH & Co. KG
 Klingenbergstraße 26
 D-32758 Detmold
 Germany

www.weidmueller.com

Technical data

| | | | |
|---|---|--|------------------------|
| Connection data - contact element power bus | | Cross-section, min. | 0.5 mm ² |
| | | Cross-section, max. | 6 mm ² |
| | | Type of wire end ferrule | Twin wire-end ferrules |
| | | Cross-section, min. | 0.5 mm ² |
| | | Cross-section, max. | 6 mm ² |
| | Wire connection method | Insulation displacement connection (IDC) | |
| | Blade size of operating tool | 0.6 x 3.5 mm | |
| | Number of poles | 5 | |
| | Conductor connection cross-section, solid, max. | 6 mm ² | |
| | Conductor connection cross-section, solid, min. | 1.50 mm ² | |
| Conductor connection cross-section, stranded, max. | 6.00 mm ² | | |
| Conductor connection cross-section, stranded, min. | 2.50 mm ² | | |
| Conductor connection cross-section, finely stranded, max. | 6.00 mm ² | | |
| Conductor connection cross-section, finely stranded, min. | 2.50 mm ² | | |
| Conductor connection cross-section, finest stranded, max. | 6.00 mm ² | | |
| Conductor connection cross-section, finest stranded, min. | 2.50 mm ² | | |

General data

| | | | |
|---------------------------|---|------------------------------|-----------------------------|
| Basic material | Polycarbonate, glass fibre reinforced | Insulating material | Polycarbonate |
| Enclosure material | glass-fibre reinforced polycarbonate | Silicone | No |
| Colour | black | Protection degree | IP65, in complete state |
| UL 94 flammability rating | 5VA | Torque for lid screws | 2 Nm |
| Lid attachment | TX20 screws | Type of mounting | Screw mounting, Fixing lugs |
| Installation advice | Lid screws included | Can be coded | Yes |
| Number of poles | 5 | Number of connections / pole | 1 |
| Wire connection method | PUSH IN, Insulation displacement connection (IDC) | | |

Rated data acc. to IEC

| | | |
|--|---------------------------------|------------------------------|
| Rated data acc. to IEC for contact element | Standard | IEC 60947-7-1, IEC 60947-7-2 |
| | Rated voltage | 800 V |
| | Rated impulse withstand voltage | 8.00 kV |
| | Rated current (3 loaded poles) | 41 A |
| | Rated current (4 loaded poles) | 25 A |

Rated data acc. to UL

| | | |
|---|---|-------------------------------------|
| Standards | not UL approved | |
| Rated data acc. to UL for contact element | Standard | UL 1059 |
| | Note | for use with UL-listed TC-ER cables |
| | Conductor connection cross-section, AWG, max. | AWG 10 |
| | Conductor connection cross-section, AWG, min. | AWG 14 |
| | Rated voltage | 600 V |
| | Rated current | 30 A |

Technical data

Classifications

| | | | |
|-------------|-------------|-------------|-------------|
| ETIM 8.0 | EC000214 | ETIM 9.0 | EC000214 |
| ETIM 10.0 | EC000214 | ECLASS 14.0 | 27-14-24-09 |
| ECLASS 15.0 | 27-14-24-09 | | |

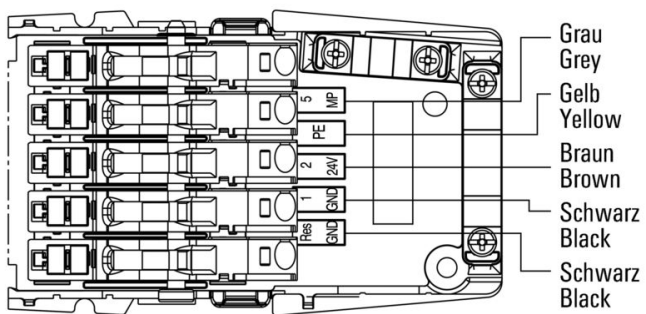
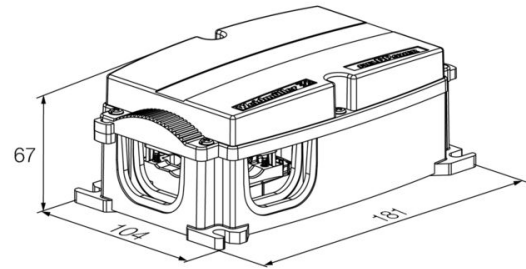
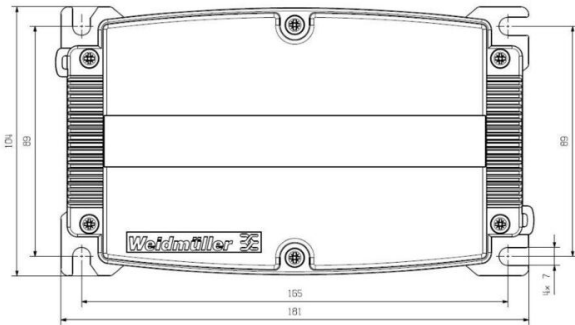
FP BOX MPB

Weidmüller Interface GmbH & Co. KG
Klingenbergstraße 26
D-32758 Detmold
Germany

Drawings

www.weidmueller.com

Drilling template



FP BOX MPB

Weidmüller Interface GmbH & Co. KG
 Klingenbergstraße 26
 D-32758 Detmold
 Germany

Accessories

www.weidmueller.com

Plug-in connector



Power distribution using uncut cables with cross-sections from 1.5 to 6 mm².

Power supply / T-branch tap via PUSH IN connection (0.5 to 10 mm²) and/or plug-in connection (0.5 to 4 mm²).

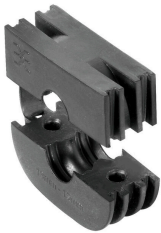
Coloured markings provide clear assignment of wires.

- Power supply
- Power distribution
- Power branching

General ordering data

| | | | |
|------------|----------------------------|--|--|
| Type | PTS 4 MPB | Version | |
| Order No. | 1010910000 | Field Power® plug-in connector, IP20, Polyamide, PUSH IN, Number | |
| GTIN (EAN) | 4032248717330 | of poles : 5 | |
| Qty. | 10 ST | | |

Seals



Intelligent cabling solutions can save you valuable time and money.

The FieldPower® modular system contains the right solution for every cabling task.

Foldable seals for the use of pre-assembled cables

Seals available with M16 and M20 connection thread

Integration of operating and signalling devices into the seal possible

General ordering data

| | | | |
|------------|----------------------------|---|--|
| Type | RKDG D9 PT6 | Version | |
| Order No. | 4329610000 | Field Power® sealing insert, Foldable seal, IP65 with corresponding | |
| GTIN (EAN) | 4032248668687 | housing, IP65, with corresponding enclosure, EPDM | |
| Qty. | 10 ST | | |
| Type | RKDG D11 PT6 | Version | |
| Order No. | 4323210000 | Field Power® sealing insert, Foldable seal, IP65 with corresponding | |
| GTIN (EAN) | 4032248641215 | housing, IP65, with corresponding enclosure, EPDM | |
| Qty. | 10 ST | | |
| Type | RKDG D13 PT6 | Version | |
| Order No. | 4323230000 | Field Power® sealing insert, Foldable seal, IP65 with corresponding | |
| GTIN (EAN) | 4032248641239 | housing, IP65, with corresponding enclosure, EPDM | |
| Qty. | 10 ST | | |
| Type | RKDG D15 PT6 | Version | |
| Order No. | 4323220000 | Field Power® sealing insert, Foldable seal, IP65 with corresponding | |
| GTIN (EAN) | 4032248641222 | housing, IP65, with corresponding enclosure, EPDM | |
| Qty. | 10 ST | | |
| Type | RKDG D17 PT6 | Version | |
| Order No. | 4324010000 | Field Power® sealing insert, Foldable seal, IP65 with corresponding | |
| GTIN (EAN) | 4032248641284 | housing, IP65, with corresponding enclosure, EPDM | |
| Qty. | 10 ST | | |

FP BOX MPB

Weidmüller Interface GmbH & Co. KG

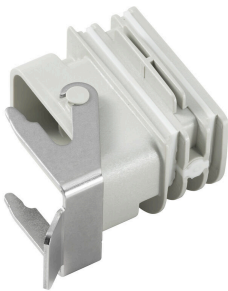
Klingenbergstraße 26
D-32758 Detmold
Germany

www.weidmueller.com

Accessories

| | | |
|------------|----------------------------|---|
| Type | RKDG 2XD8.5 WG PT6 | Version |
| Order No. | 1114530000 | Field Power® sealing insert, Seal, IP54, with corresponding enclosure, EPDM |
| GTIN (EAN) | 4032248892624 | |
| Qty. | 10 ST | |

Adapters

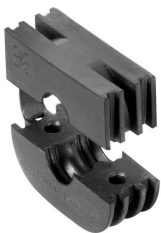


HQ adapter for FieldPower®
Tool-free installation like a FieldPower cable seal
Suitable for the HQ 4/2, HQ 8 and HQ 17 plug-in connector inserts
Optionally with lockable protective cover (protection against being switched on again, in accordance with EN 60204-1)

General ordering data

| | | |
|------------|----------------------------|--|
| Type | BG ARGH HQP ALU PT6 | Version |
| Order No. | 1532200000 | Adapter, Field Power® sealing insert, HQ adapter, IP65, with corresponding enclosure, Polycarbonate, glass fibre reinforced, lockable: No |
| GTIN (EAN) | 4050118337433 | |
| Qty. | 1 ST | |
| Type | BG ARGH HQP ALU PT6 CS | Version |
| Order No. | 1532210000 | Adapter, Field Power® sealing insert, HQ adapter, IP65, with corresponding enclosure, Polycarbonate, glass fibre reinforced, lockable: Yes |
| GTIN (EAN) | 4050118337600 | |
| Qty. | 1 ST | |

Seals



Intelligent cabling solutions can save you valuable time and money.

The FieldPower® modular system contains the right solution for every cabling task.

Foldable seals for the use of pre-assembled cables
Seals available with M16 and M20 connection thread
Integration of operating and signalling devices into the seal possible

General ordering data

| | | |
|------------|----------------------------|--|
| Type | DG D0 PT6 | Version |
| Order No. | 4323240000 | Field Power® sealing insert, Blank seal, IP65, with corresponding enclosure, EPDM |
| GTIN (EAN) | 4032248641246 | |
| Qty. | 10 ST | |
| Type | DG M16 PT6 | Version |
| Order No. | 2545540000 | Field Power® sealing insert, Seal with connection thread, IP65, with corresponding enclosure, EPDM |
| GTIN (EAN) | 4050118555523 | |
| Qty. | 1 ST | |
| Type | DG M20 PT6 | Version |
| Order No. | 2545550000 | Field Power® sealing insert, Seal with connection thread, IP65, with corresponding enclosure, EPDM |
| GTIN (EAN) | 4050118555530 | |
| Qty. | 1 ST | |

FP BOX MPB

Weidmüller Interface GmbH & Co. KG
 Klingenbergstraße 26
 D-32758 Detmold
 Germany

www.weidmueller.com

Accessories

Tools



Sheathing stripper for PVC cables

General ordering data

| | | | |
|------------|----------------------------|----------------------------|--|
| Type | AM 16 | Version | |
| Order No. | 9204190000 | Tools, Sheathing strippers | |
| GTIN (EAN) | 4032248608133 | | |
| Qty. | 1 ST | | |

| | | | |
|------------|----------------------------|----------------------------|--|
| Type | AM 25 | Version | |
| Order No. | 9001540000 | Tools, Sheathing strippers | |
| GTIN (EAN) | 4008190138271 | | |
| Qty. | 1 ST | | |

Slotted screwdriver



Slotted screwdriver with rounded blade SD DIN 5265, ISO 2380/2, output to DIN 5264, ISO 2380/1. ChromTop tip, SoftFinish grip

General ordering data

| | | | |
|------------|----------------------------|---|--|
| Type | SDS 0.6X3.5X100 | Version | |
| Order No. | 2749340000 | Screwdriver, Blade width (B): 3.5 mm, Blade length: 100 mm, Blade thickness (A): 0.6 mm | |
| GTIN (EAN) | 4050118895568 | | |
| Qty. | 1 ST | | |

Accessories

Bits E6,3 - Torx®



The Weidmüller bits are standard bits which are highly popular with users thanks to their good quality, large range and efficiency. The computer-controlled hardening method enables Weidmüller to guarantee a consistently high standard of quality.

The high-quality raw materials used make it possible to reach torques far higher than any of those specified in the relevant DIN standards:

- DIN 526 1 for PH/PZ bits,
- DIN 5263 for slotted bits,
- Camcar standard for TORX bits

That means a long life at high torques and hence ideal conditions for standard situations.

The benefits:

- Suitable for all types of screws. Because of their excellent hardness values of 59-61 HRC, they are suitable for use with both manual and power tools.
- Good wearing resistance and thus a long life expectancy.
- Optimum fit in all DIN screws means low wear and optimum torque transmission.
- Manufactured to meet professional quality criteria according to relevant ISO standards with a consistently high standard of quality.

General ordering data

| | | | |
|------------|----------------------------|--------------------|--|
| Type | BIT E6,3 T20 X 70 | Version | |
| Order No. | 2749010000 | Screwdriver insert | |
| GTIN (EAN) | 4050118895308 | | |
| Qty. | 5 ST | | |

DMS PRO



Weidmüller torque screwdrivers have an ergonomic design and are therefore ideal for use with one hand. They can be used without causing fatigue in all installation positions. Apart from that, they incorporate an automatic torque limiter and have a good reproducibility accuracy.

General ordering data

| | | | |
|------------|----------------------------|---------------|--|
| Type | DMS PRO | Version | |
| Order No. | 1479120000 | Mounting tool | |
| GTIN (EAN) | 4050118287011 | | |
| Qty. | 1 ST | | |

FP BOX MPB

Weidmüller Interface GmbH & Co. KG
 Klingenbergstraße 26
 D-32758 Detmold
 Germany

www.weidmueller.com

Accessories

Plastic lock nuts, grey



In addition to cable glands for a wide range of applications, the product portfolio is rounded off by plugs, pressure compensation elements, adaptors and the corresponding accessories such as locknuts, sealing rings, flat washers and earthing rings.

General ordering data

| | | | |
|------------|----------------------------|---|--|
| Type | SKMU M20 - K GR | Version | |
| Order No. | 1772460000 | SKMU PA (plastic locknut), Locknut, M 20, 6 mm, Polyamid 6 (PA6 - | |
| GTIN (EAN) | 4032248130207 | GF30) | |
| Qty. | 100 ST | | |

IP68 version



In addition to the extensive range of enclosures, Weidmüller offers a variety of cable glands for a wide range of applications. The cable glands made of brass, plastic and stainless steel meet the most various IP protection classes to suit any industrial enclosure. Depending on the series of cable glands and the application, the cable glands are approved and tested according to VDE, UL, UR, cULus, DNV GL or EN 45545.

General ordering data

| | | | |
|------------|----------------------------|---|--|
| Type | VG M20 - K 68 | Version | |
| Order No. | 2811470000 | VG K (standard plastic cable gland), Cable glands, straight, M 20, 10 | |
| GTIN (EAN) | 4064675292227 | mm, OD min. 10 - OD max. 14 mm, IP54, IP66, IP67, IP68 - 5 bar (30 | |
| Qty. | 50 ST | min.), Polyamide 6 | |
| Type | VG M20-1/K68 | Version | |
| Order No. | 1772300000 | VG K (standard plastic cable gland), Cable glands, straight, M 20, 10 | |
| GTIN (EAN) | 4032248129966 | mm, OD min. 6 - OD max. 12 mm, IP54, IP66, IP67, IP68 - 5 bar (30 | |
| Qty. | 50 ST | min.), Polyamide 6 | |