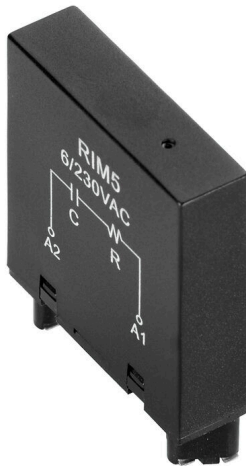


## RIM 5 6/230VAC

**Weidmüller Interface GmbH & Co. KG**  
Klingenbergstraße 26  
D-32758 Detmold  
Germany

[www.weidmueller.com](http://www.weidmueller.com)

### Product image



Pluggable protective modules for the D-SERIES relay sockets, with optional protective functions.

- With free-wheeling diode or RC filter

### General ordering data

Version	D-SERIES, RC filter, Rated control voltage: 6...230 V AC, Plug-in connection
Order No.	<a href="#">1174670000</a>
Type	RIM 5 6/230VAC
GTIN (EAN)	4032248971312
Qty.	10 items

## RIM 5 6/230VAC

**Weidmüller Interface GmbH & Co. KG**  
 Klingenbergstraße 26  
 D-32758 Detmold  
 Germany

www.weidmueller.com

## Technical data

## Approvals

Approvals



ROHS Conform

UL File Number Search [UL Website](#)

Certificate No. (cURus) E312083

## Dimensions and weights

Depth	44 mm	Depth (inches)	1.7323 inch
Height	10 mm	Height (inches)	0.3937 inch
Width	35 mm	Width (inches)	1.378 inch
Net weight	5.7 g		

## Temperatures

Storage temperature Operating temperature

## Environmental Product Compliance

RoHS Compliance Status Compliant without exemption

REACH SVHC No SVHC above 0.1 wt%

## Rated data UL

Certificate No. (cURus) E312083

## Control side

Rated control voltage	6...230 V AC	Status indicator	No
Protective circuit	RC element	RC filter	4.7 kΩ / 10 nF

## General data

Colour	black		
UL94 flammability rating component	Component	Housing	
	UL94 flammability rating	V-2	

## Further details of approvals / standards

Certificate No. (CSA)	80107692	Certificate No. (cURus)	E312083
-----------------------	----------	-------------------------	---------

## Connection data

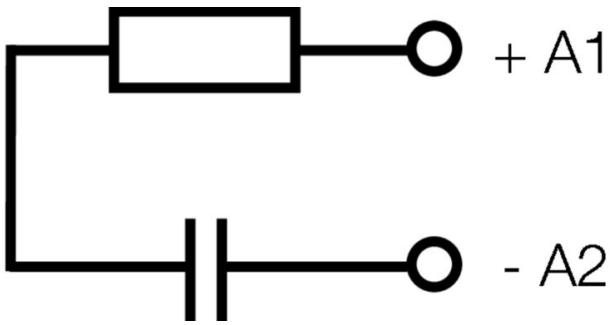
Wire connection method Plug-in connection

## Classifications

ETIM 8.0	EC002586	ETIM 9.0	EC002586
ETIM 10.0	EC002586	ECLASS 14.0	27-37-16-92
ECLASS 15.0	27-37-16-92		

Drawings

Wiring diagram



Dimensional drawing

