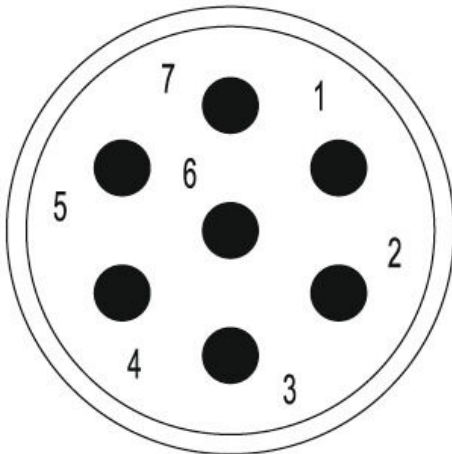


**SAI-M23-SE-7**

**Weidmüller Interface GmbH & Co. KG**  
Klingenbergstraße 26  
D-32758 Detmold  
Germany

www.weidmueller.com

**Pinning**

The M23 round plug-in connectors offer a high number of mating cycles, high current-carrying capacity and high contact-density coupled with minimum dimensions. Enclosures, inserts and crimp contacts need to be ordered separately.

**General ordering data**

Version	Sensor/Actuator plug-in connector, Insert
Order No.	<a href="#">1170030000</a>
Type	SAI-M23-SE-7
GTIN (EAN)	4032248962143
Qty.	1 items

## Technical data

### Approvals

Approvals



ROHS	Conform
UL File Number Search	<a href="#">UL Website</a>
Certificate No. (UR)	E344862

### Dimensions and weights

Net weight	2 g
------------	-----

### Environmental Product Compliance

RoHS Compliance Status	Compliant without exemption
REACH SVHC	No SVHC above 0.1 wt%

### Technical data customisable plug-in connectors

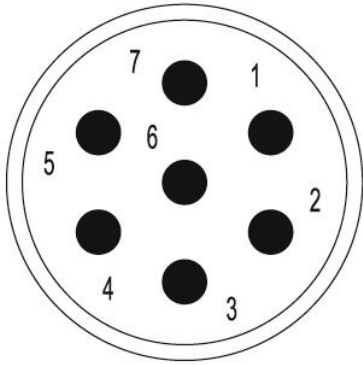
Number of poles	7	Coding	none
Type of connection	Crimp connection	Housing main material	Thermoplastic polyamide PA 6, PBT
Nominal voltage	300 V	Nominal current	20 A
Plugging cycles	> 1000	Pollution severity	3
Rated current	2 mm contact= 20 A	Gender of contact	Male
Coding possibilities for M23 signal inserts	H-coded, N-coded, S-coded, X-coded, Y-coded		

### Classifications

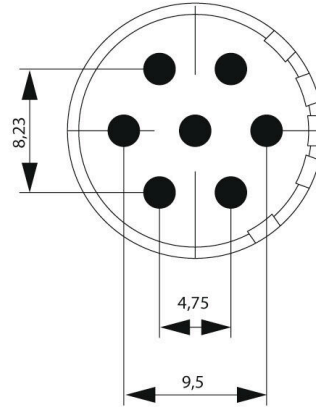
ETIM 8.0	EC003557	ETIM 9.0	EC003557
ETIM 10.0	EC003557	ECLASS 14.0	27-44-02-23
ECLASS 15.0	27-44-02-23		

Drawings

Pinning

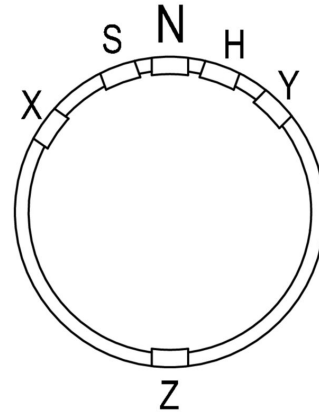


Dimensioned drawing



Technical data

Number of positions	6	7	9		12	16	17	19	
Number of contacts	6	7	8	1	12	16	17	16	3
Contact-ø	mm	2	2	1	2	1	1	1	1.5



## SAI-M23-SE-7

**Weidmüller Interface GmbH & Co. KG**  
 Klingenbergstraße 26  
 D-32758 Detmold  
 Germany

[www.weidmueller.com](http://www.weidmueller.com)

## Accessories

## 2 mm



The M23 round plug-in connectors offer a high number of mating cycles, high current-carrying capacity and high contact-density coupled with minimum dimensions. Enclosures, inserts and crimp contacts need to be ordered separately.

## General ordering data

Type	SAI-M23-KSC-2-0.75-2.5	Version	
Order No.	<a href="#">1170250000</a>	Version	Sensor/Actuator plug-in connector, Crimp contact
GTIN (EAN)	4032248962211		
Qty.	50 ST		

## ...for M23



Weidmüller offers a wide range of tools and accessories for sensor-actuator cabling.

## General ordering data

Type	SAI M23 CRIMPING TOOL 2	Version	
Order No.	<a href="#">1203960000</a>	Version	Pressing tool for signal contacts, 4-indent crimp
GTIN (EAN)	4050118000764		
Qty.	1 ST		

## Standard enclosure



The M23 round plug-in connectors offer a high number of mating cycles, high current-carrying capacity and high contact-density coupled with minimum dimensions. Enclosures, inserts and crimp contacts need to be ordered separately.

## General ordering data

Type	SAI-M23-GS-11/17	Version	
Order No.	<a href="#">1299390000</a>	Version	Sensor/Actuator plug-in connector, Empty enclosure
GTIN (EAN)	4050118097191		
Qty.	1 ST		

## SAI-M23-SE-7

**Weidmüller Interface GmbH & Co. KG**  
 Klingenbergstraße 26  
 D-32758 Detmold  
 Germany

www.weidmueller.com

## Accessories

Type	SAI-M23-GS-7/12	Version
Order No.	<a href="#">1995840000</a>	Sensor/Actuator plug-in connector, Empty enclosure
GTIN (EAN)	4032248926121	
Qty.	1 ST	
Type	SAI-M23-GSW-S-7/12	Version
Order No.	<a href="#">1169920000</a>	Sensor/Actuator plug-in connector, Empty enclosure
GTIN (EAN)	4032248961986	
Qty.	1 ST	
Type	SAI-M23-KS-7/12	Version
Order No.	<a href="#">1169900000</a>	Sensor/Actuator plug-in connector, Empty enclosure
GTIN (EAN)	4032248961948	
Qty.	1 ST	
Type	SAI-M23-KSW-7/12	Version
Order No.	<a href="#">1169930000</a>	Sensor/Actuator plug-in connector, Empty enclosure
GTIN (EAN)	4032248961993	
Qty.	1 ST	
Type	SAIE-M23-S-EM	Version
Order No.	<a href="#">1169970000</a>	Sensor/Actuator plug-in connector, Built-in plugs, Empty enclosure
GTIN (EAN)	4032248961979	
Qty.	1 ST	
Type	SAIE-M23S-S-EM-M20	Version
Order No.	<a href="#">1373440000</a>	Sensor/Actuator plug-in connector, Built-in plugs, Empty enclosure
GTIN (EAN)	4050118175028	
Qty.	1 ST	
Type	SAIE-M23-S-HW	Version
Order No.	<a href="#">1169990000</a>	Sensor/Actuator plug-in connector, Built-in plugs, Empty enclosure
GTIN (EAN)	4032248962051	
Qty.	1 ST	
Type	SAIE-M23-S-RM	Version
Order No.	<a href="#">1169950000</a>	Sensor/Actuator plug-in connector, Built-in plugs, Empty enclosure
GTIN (EAN)	4032248961092	
Qty.	1 ST	
Type	SAIE-M23-S-VW	Version
Order No.	<a href="#">1169940000</a>	Sensor/Actuator plug-in connector, Built-in plugs, Empty enclosure
GTIN (EAN)	4032248962013	
Qty.	1 ST	
Type	SAIE-M23-S-W	Version
Order No.	<a href="#">1169980000</a>	Sensor/Actuator plug-in connector, Built-in plugs, Empty enclosure
GTIN (EAN)	4032248961962	
Qty.	1 ST	