

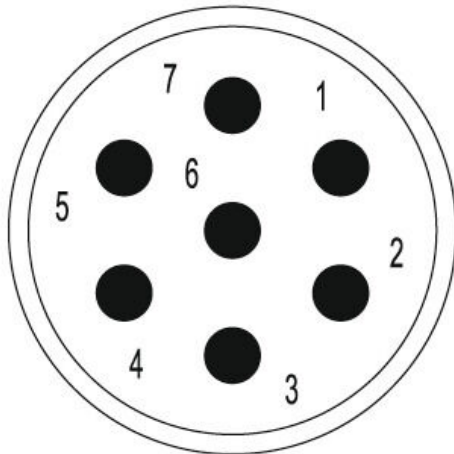
SAI-M23-SE-7**Weidmüller Interface GmbH & Co. KG**

Klingenbergstraße 26

D-32758 Detmold

Germany

www.weidmueller.com

Pinning

The M23 round plug-in connectors offer a high number of mating cycles, high current-carrying capacity and high contact-density coupled with minimum dimensions. Enclosures, inserts and crimp contacts need to be ordered separately.

General ordering data

Version	Sensor/Actuator plug-in connector, Insert
Order No.	1170030000
Type	SAI-M23-SE-7
GTIN (EAN)	4032248962143
Qty.	1 items

Technical data

Approvals

Approvals



ROHS	Conform
UL File Number Search	UL Website
Certificate No. (UR)	E344862

Dimensions and weights

Net weight	2 g
------------	-----

Environmental Product Compliance

RoHS Compliance Status	Compliant without exemption
REACH SVHC	No SVHC above 0.1 wt%

Technical data customisable plug-in connectors

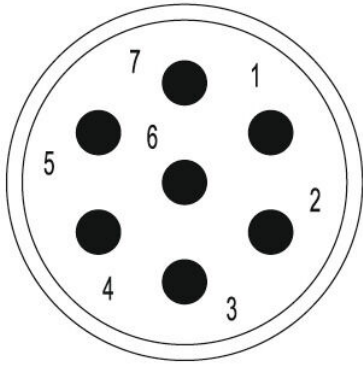
Number of poles	7	Coding	none
Type of connection	Crimp connection	Housing main material	Thermoplastic polyamide PA 6, PBT
Nominal voltage	300 V	Nominal current	20 A
Plugging cycles	> 1000	Pollution severity	3
Rated current	2 mm contact= 20 A	Gender of contact	Male
Coding possibilities for M23 signal inserts	H-coded, N-coded, S-coded, X-coded, Y-coded		

Classifications

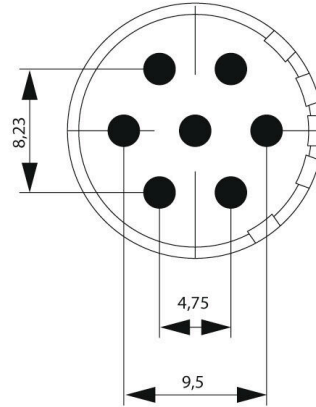
ETIM 8.0	EC003557	ETIM 9.0	EC003557
ETIM 10.0	EC003557	ECLASS 14.0	27-44-02-23
ECLASS 15.0	27-44-02-23		

Drawings

Pinning



Dimensioned drawing



Technical data

Number of positions	6	7	9		12	16	17	19	
Number of contacts	6	7	8	1	12	16	17	16	3
Contact-ø	mm	2	2	1	2	1	1	1	1,5

